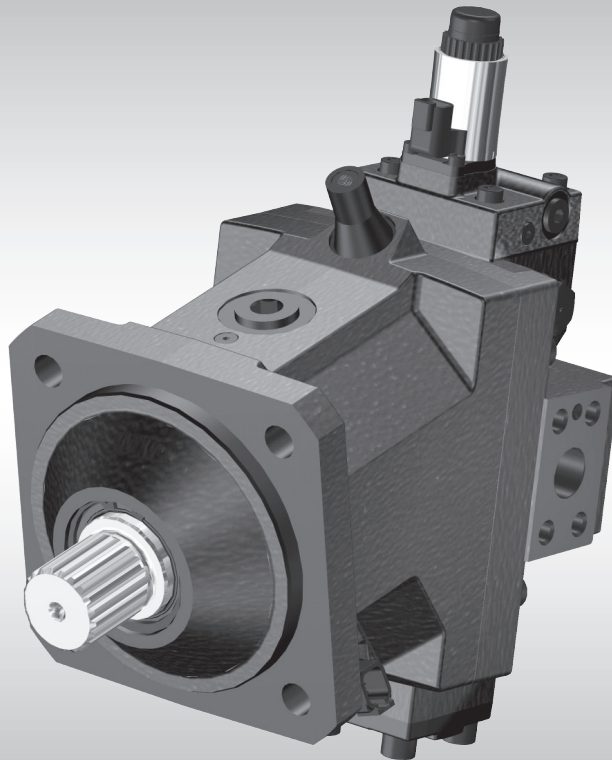




Technical Information

H1 Bent Axis Variable Displacement Motors Size 060, 080, 110, 160, 250



Revisions**History of Revisions***Table of revisions*

Date	Page	Changed	Rev.
21 May, 2008	—	First edition	AA
1 Dec, 2008	Different pages	New size (080)	BA
27 Jul, 2009	—	New size (060)	CA
Mar 2011	Various	New size (160)	DA
Apr 2012	Various		EA
Jun 2013	Various	New size (250), various updates	FA
Oct 2013	All	New layout	GA
Oct 2013	20, 22, 24, 28, 44, 48,	Layout adjusted	GB
Jan 2014	Various	Different updates, e.g. speed sensor added	HA

Front cover illustrations: P003 425

Technical Information H1 Bent Axis Variable Displacement Motors

Contents

H1 General Information	H1 General Information	6
	Design	6
	Cross section H1 Electric proportional control	6
	Cross section H1 Electric two-position control	7
	General Description	8
	The H1 Range of Products	8
	System Diagram.....	9
	H1 Pump and H1 Motor with Electric proportional control	9
Technical Specifications	System Schematic.....	10
	Technical Specifications	11
	General specifications.....	11
	Physical properties.....	11
	Operating parameters	12
	Closed Circuit Speed Range.....	13
	Open Circuit Recommendations.....	14
	Fluid specifications.....	17
	Determination of Nominal Motor Sizes	17
Operating	Shaft Rotation Direction.....	18
	Loop Flushing Shuttle Spool	19
	Loop Flushing Relief Valve.....	19
	Speed Sensor.....	20
	Mating Connectors	21
	Speed Sensor Connector	21
	Sensor Position	21
	Target Ring.....	21
	Minimum Displacement Limiter.....	21
Operating Parameters	Overview	22
	Output Speed.....	22
	System Pressure	22
	Case Pressure.....	23
	External Shaft	
	Seal Pressure	23
	Temperature and Viscosity.....	23
System Design Parameters	Filtration System	24
	Fluid Selection.....	24
	Reservoir.....	25
	Case Drain.....	25
	Independent Braking System.....	25
	Bearing Loads & Life.....	26
	Shaft Torque.....	26
Model Code	Model Code.....	27
Control Operation and Description	Control Operation and Description	31
	Electric Controls.....	31
	Electric Proportional Controls.....	31
	Electric Two-Position Controls	31
	Servo Supply	31

Contents

Controls Options Operation and Description	Control Options	32
	PCOR	32
	Proportional with PCOR.....	32
	Two Position with PCOR.....	32
	Two Position with Proportional PCOR.....	32
	Hydraulic Two-Position Control.....	33
	Control Options BPD.....	35
	Electric Solenoid Connector	35
	Applications-related Controls	35
	Controls Circuit Diagram – Nomenclature – Description	
	Electric Proportional Control Options L1BA, L2BA	36
	Electric Proportional Control with Pressure Compensator OverRide (PCOR) Options D1MA, D2MA.....	38
	Electric Proportional Control with Pressure Compensator OverRide (PCOR) and Electric Brake Pressure Defeat (BPD)Options D1M1, D2M2	40
	Electric Proportional Control Options M1CA, M2CA.....	42
	Electric Proportional Control with Pressure Compensator OverRide (PCOR) Options K1KA, K2KA.....	44
	Electric Proportional Control with Pressure Compensator OverRide (PCOR) and Electric Brake Pressure Defeat (BPD) Options K1K1, K2K2.....	46
	Electric Two-Position Control Options E1AA, E2AA	48
	Electric Two-Position Control Options F1EA, F2EA.....	49
	Electric Two-Position Control with Pressure Compensator OverRide (PCOR) Options T1DA, T2DA.....	50
	Electric Two-Position Control with Electric Proportional Pressure Compensator OverRide (PPCOR) Options P1DA, P2DA	51
	Electric Two-Position Control with Pressure Compensator OverRide (PCOR) and Electric Brake Pressure Defeat (BPD) Options T1D1, T2D2.....	53
	Electric Two-Position Control with Electric Proportional Pressure Compensator OverRide (PPCOR) and Electric Brake Pressure Defeat (BPD) Options P1D1, P2D2.....	54
	Hydraulic Two-Position Control Option HEHE	56
	Control Pressure X1	56
	Hydraulic Two-Position Control Option HFHF	57
	Control Pressure X1	57
	Pressure Compensator OverRide (PCOR) TADA	58
	Pressure Compensator OverRide (PCOR) and Electric Brake Pressure Defeat (BPD) TAD1, TAD2.....	59
	Control Response.....	60
General Dimensions		
	SAE Flange Design, Proportional Control, Option L*	62
	Axial Ports.....	62
	Radial Ports.....	62
	SAE Flange Design, Proportional Control, Option M*	64
	Axial Ports.....	64
	Radial Ports.....	64
	SAE Flange Design, Two Position Control, Pressure Compensator Override, Electric Brake Pressure Defeat, Option T* D* and P* D*	66
	Axial Ports.....	66
	Radial Ports.....	66
	SAE Flange Design.....	68
	DIN Flange Design, Proportional Control, Option L*	70
	Axial Ports.....	70
	Radial Ports.....	70

Contents
**General Dimensions
(continued)**

DIN Flange Design, Proportional Control, Option M*	72
Axial Ports.....	72
Radial Ports.....	72
DIN Flange Design, Two Position Control, Pressure Compensator Override, Electric Brake Pressure Defeat, Option T* D* and P* D*	74
Axial Ports.....	74
Radial Ports.....	74
Flange Design per ISO 3019/2, (DIN Flange)	76
Cartridge Flange Design, Proportional Control, Option L*.....	78
Axial Ports.....	78
Radial Ports.....	78
Cartridge Flange Design, Proportional Control, Option M*	80
Axial Ports.....	80
Radial Ports.....	80
Cartridge Flange Design, Two Position Control, Pressure Compensator Override, Electric Brake Pressure Defeat, Option T* D* and P* D*	82
Axial Ports.....	82
Radial Ports.....	82
Cartridge Flange and Shaft Design.....	84
H1B Cartridge Motors with Speed Sensor	87

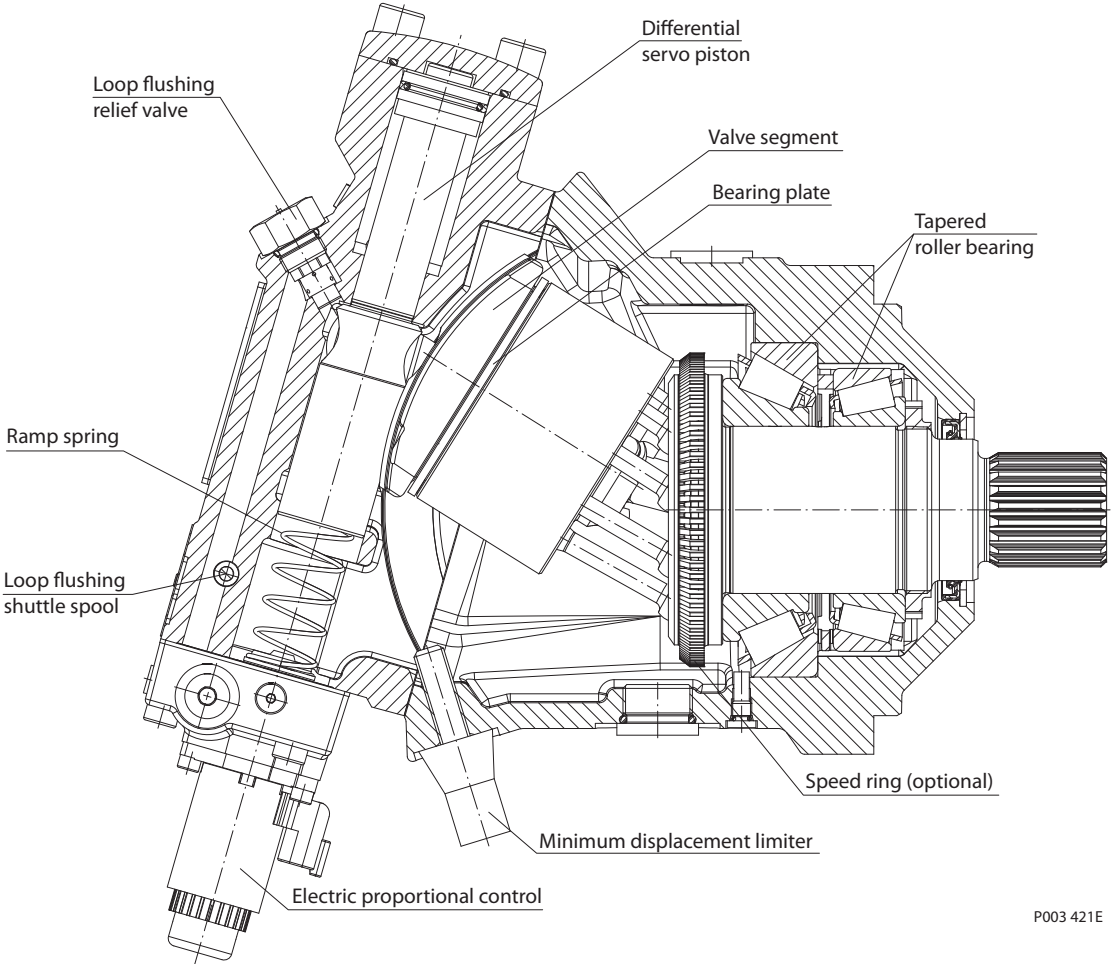
**General Dimensions –
Controls**

Electric Proportional Control Options L1BA, L2BA	88
Electric Proportional Control Options M1CA, M2CA.....	89
Electric Proportional Control with Pressure Compensator OverRide (PCOR) and Electric Brake Pressure Defeat (BPD) Options K1K1, K2K2.....	90
Electric Proportional Control with Pressure Compensator OverRide (PCOR) and Electric Brake Pressure Defeat (BPD) Options K*KA	91
Electric Two-Position Control Options E1AA, E2AA	92
Electric Two-Position Control Options F1EA, F2EA.....	93
Electric Two-Position Control with Pressure Compensator OverRide (PCOR) Options T1DA, T2DA and Electric Two-Position Control with Electric Proportional Pressure Compensator OverRide (PPCOR) Options P1DA, P2DA	94
Electric Two-Position Control with Pressure Compensator OverRide (PCOR) and Electric Brake Pressure Defeat (BPD) Options T1D1, T2D2 and Electric Two-Position Control with Electric Proportional Pressure Compensator OverRide (PPCOR) and Electric Brake Pressure Defeat (BPD) Options P1D1, P2D2.....	95
Hydraulic Two-PositionControl Option HEHE	96
Hydraulic Two-PositionControl Option HFHF	97
Electric Proportional Control Option D*M*	98
Electric Proportional Control Option D*MA	99
Hydraulic Two-PositionControl Option TADA	100
Hydraulic Two-Position Control Option TAD1, TAD2	101

H1 General Information

Design

Cross section H1 Electric proportional control

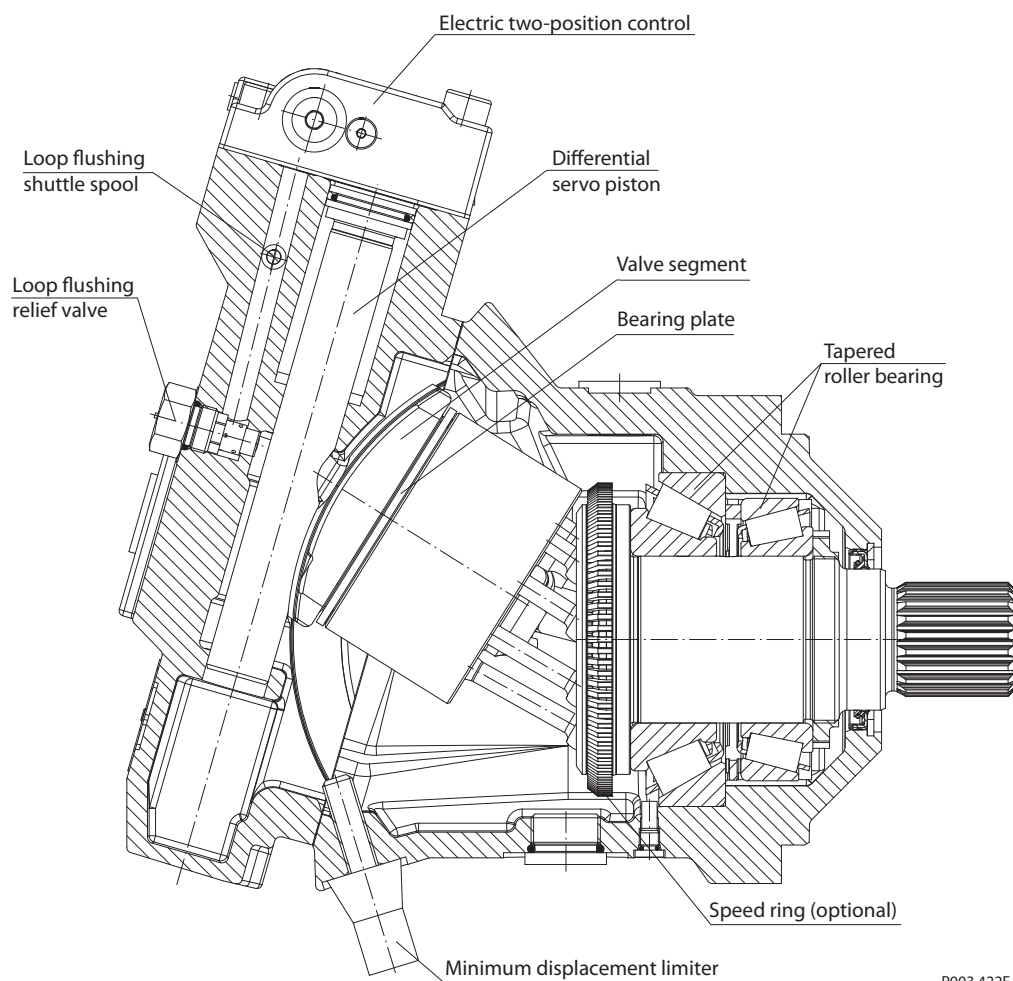


P003 421E

H1 General Information

Design

Cross section H1 Electric two-position control



P003 422E

H1 General Information**General Description**

Series H1 variable displacement motors are bent axis design, incorporating spherical pistons.

These motors are designed primarily to be combined with other products in closed circuit systems to transfer and control hydraulic power. Series H1 motors have a large maximum/minimum displacement ratio of 5:1 and high output speed capabilities.

The expanded function of zero degree capability, coupled with a high performance 32 degree maximum angle, creates opportunities to easily improve the machine performance for:

- Wheel assist on the steering axle of high inertia machines (i.e. combines) and could include Anti Slip Control
 - Off-highway machines requiring Anti Slip (i.e. Ag sprayer)
 - Multi-motor applications requiring optimized work and transport modes (i.e. wheel loader, Ag sprayer) utilizing the zero degree position for maximum transport speed
 - Improved machine (i.e. Single Drum Roller) gradeability through precise Anti Slip Control
- The Anti Slip Control reduces ground damage, increases traction control and improves machine controllability for the operator.

SAE, Cartridge (not available for 250 cm³) and DIN (not available for 250 cm³) flange with radial or axial high pressure port configurations are available including the loop flushing device.

A complete family of controls and regulators are available to fulfill the requirements of a wide range of applications.

Motors normally start at maximum displacement. This provides maximum starting torque for high acceleration.

All controls utilize internally supplied servo pressure. This may be overridden by a pressure compensator which functions when the motor is operating in motor and pump modes. A defeat option is available to disable the pressure compensator override when the motor is running in pump mode during deceleration/braking.

The pressure compensator option features a low pressure rise to ensure optimal power utilization throughout the entire displacement range of the motor.

Speed sensor options are available to cover all frame sizes and flange styles. They are capable of sensing the following, all in one package;

- Speed
- Direction (only group letter "J", option "S")
- Temperature (only group letter "J", option "S")

The electric controls are specifically designed for the Danfoss family of PLUS+1[®] micro controllers for easy Plug and Perform™ installation.

The H1 Range of Products

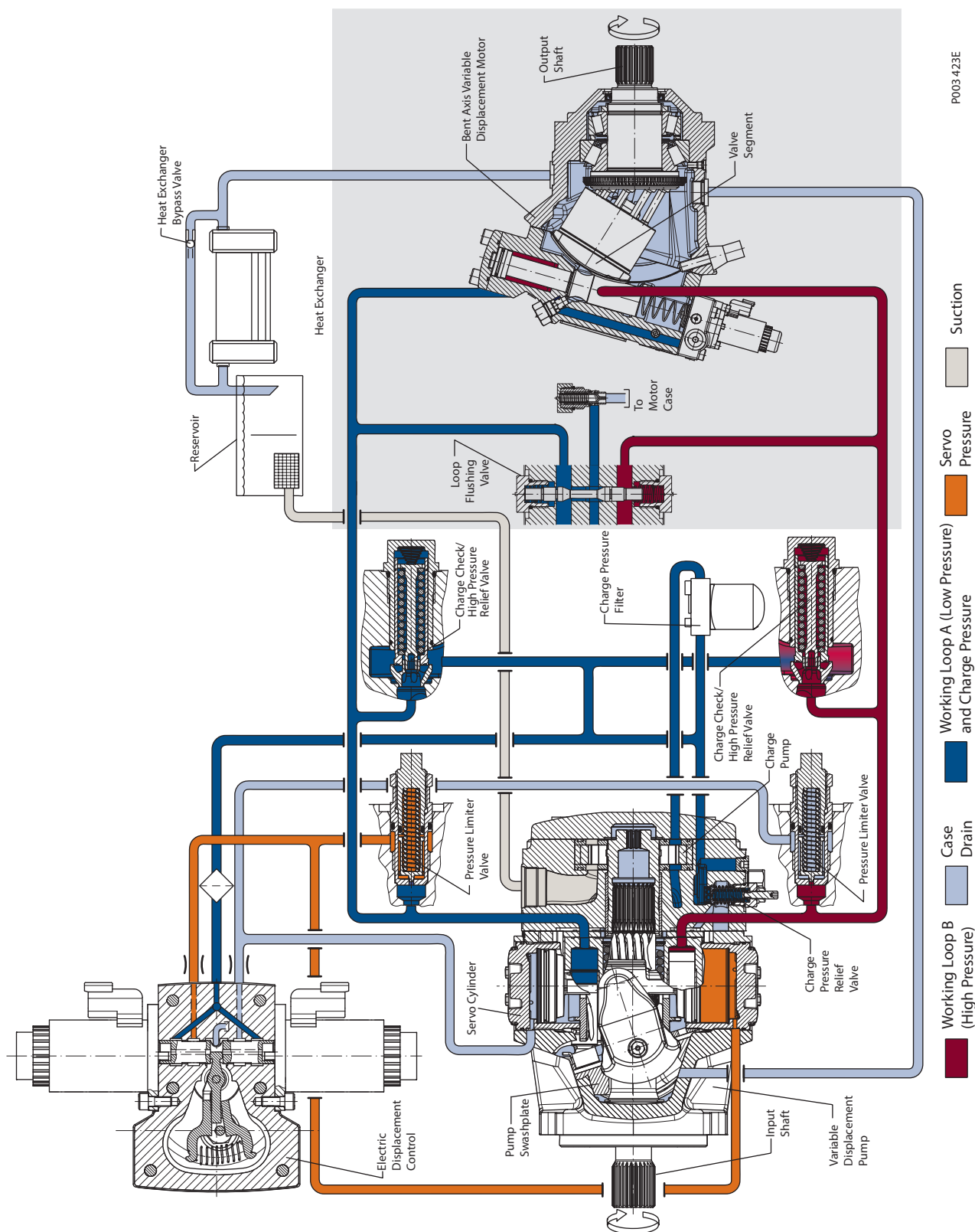
A growing family based on the success of the Series 51 product family

- Initial release of 060 cm³, 080 cm³, 110 cm³, 160 cm³ and 250 cm³ displacement size.
- Development plans include additional displacement sizes.

H1 General Information

System Diagram

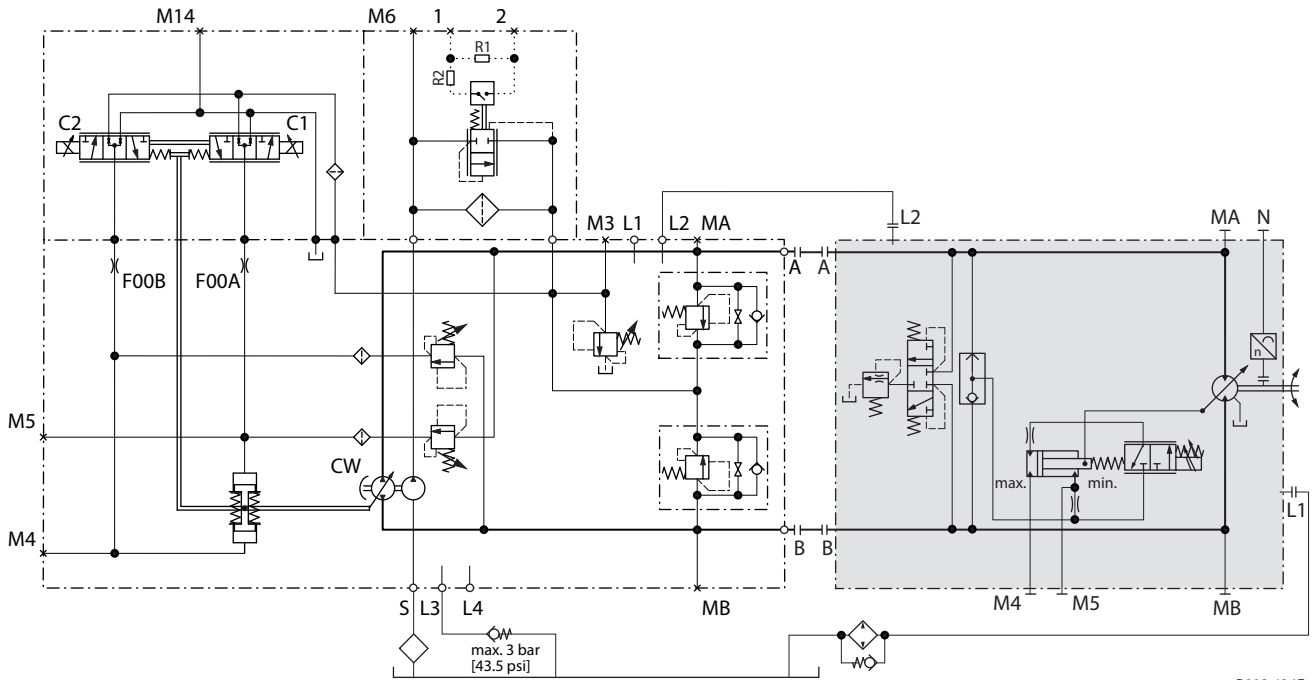
H1 Pump and H1 Motor with Electric proportional control



P003423E

H1 General Information

System Schematic



P003 424E

The schematic above shows the function of a hydrostatic transmission using an H1 Axial variable displacement pump with electric proportional displacement control (EDC) and an H1 Bent axis variable displacement motor with electric proportional control (L*) and integrated loop flushing device.

Technical Specifications
General specifications

Design	Piston motor with variable displacement bent axis design
Direction of rotation	Bi-directional
Pipe connections	Main pressure ports: ISO split flange boss Remaining ports: SAE straight thread O-ring boss
Recommended installation position	Discretionary, the housing must always be filled with hydraulic fluid

Physical properties

Features	Unit	Size				
		060	080	110	160	250
Displacement maximum	cm ³ [in ³]	60 [3.66]	80 [4.88]	110 [6.71]	160 [9.76]	250 [15.25]
Displacement minimum	cm ³ [in ³]	12 [0.73]	16 [0.98]	22 [1.34]	32 [1.95]	50 [3.05]
Flow at rated speed and maximum displ. (theoretical)	l/min [US gal/min]	216 [57]	256 [68]	319 [84]	416 [110]	550 [145]
Flow at maximum speed and maximum displ. (theoretical)	l/min [US gal/min]	270 [71]	328 [87]	407 [108]	528 [139]	700 [185]
Torque at maximum displacement (theoretical)	N•m/bar [lbf•in/1000 psi]	0.96 [583]	1.27 [777]	1.75 [1069]	2.55 [1555]	3.98 [2426]
Theoretical corner power at rated speed and maximum working pressure ($\Delta p = 450$ bar [6527 psi])	kW [hp]	266 [357]	321 [430]	396 [531]	513 [689]	684 [917]
Mass moment of inertia of rotating components	kg•m ² [slug•ft ²]	0.0038 [0.0028]	0.0062 [0.0046]	0.0108 [0.0080]	0.0211 [0.0156]	0.0402 [0.0296]
Weight dry (Electric proportional control)						
SAE configuration	kg [lb]	29.8 [65.7]	34.8 [76.7]	48.8 [107.6]	61.9 [136.5]	87.0 [196.2]
DIN configuration	kg [lb]	28.3 [62.4]	34.4 [75.8]	45.0 [99.2]	59.3 [130.7]	-
Cartridge configuration	kg [lb]	26.9 [59.3]	33.0 [72.6]	41.8 [92.2]	54.7 [120.6]	-
Case volume	liter [US gal]	0.9 [0.24]	1.0 [0.26]	1.4 [0.37]	2.7 [0.71]	4.1 [1.08]
Mounting flange						
SAE ISO 3019/1		Flange 127-4 (SAE C) 4-bolt		Flange 152-4 (SAE-D) 4-bolt		Flange 165-4 (SAE E)
DIN ISO 3019/2		Flange 125 B4 HL 4-bolt	Flange 140 B4 HL 4-bolt	Flange 160 B4 HL 4-bolt	Flange 180 B4 HL 4-bolt	-
Cartridge		Pilot dia 160 mm 2-bolt (200 dist.)M16	Pilot dia 190 mm 2-bolt (224 dist.)M20	Pilot dia 200 mm 2-bolt (250 dist.) M20		-
Customer ports						
Radial split flange boss		DN19 typ I 40Mpa series ISO 6162	DN25 typ I 40Mpa series ISO 6162	DN32 typ I 40Mpa series ISO 6162		
Axial SAE O-ring boss (Gauge port)		0.875-14UN- 2B [7/8-14UN-2B]	1.0625-12UN-2B [1 1/16-12UN-2B]			
Axial split flange boss		DN19 typ I 40Mpa series ISO 6162	DN25 typ I 40Mpa series ISO 6162	DN32 typ I 40Mpa series ISO 6162		
Gauge port SAE-O-ring boss		0.5625-18UNF-2B [9/16-18UNF-2B]				
Case drain ports	SAE O-ring boss	0.875-14UN-2B [7/8-14UN-2B]	1.0625-12UN-2B [1 1/16-12UN-2B]		1.3125- 12UN-2B [1 5/16- 12UN-2B]	
Gauge ports	SAE O-ring boss	0.5625-18UNF-2B [9/16-18UNF-2B]				

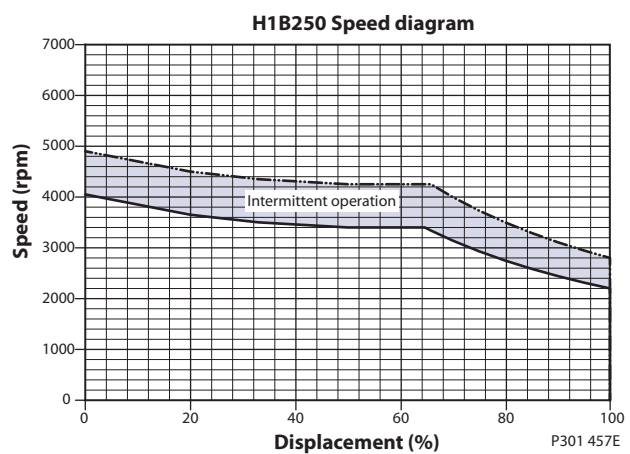
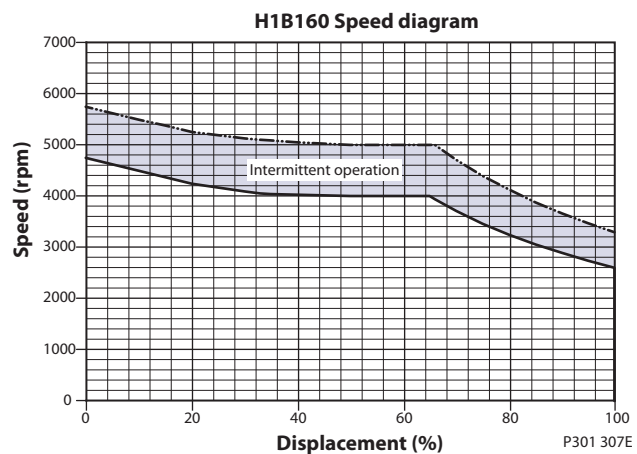
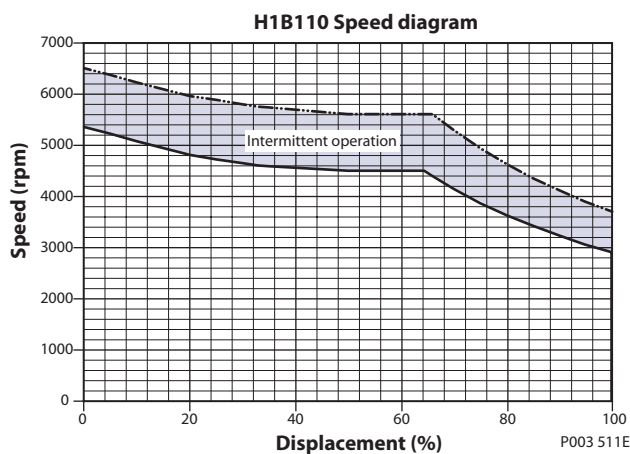
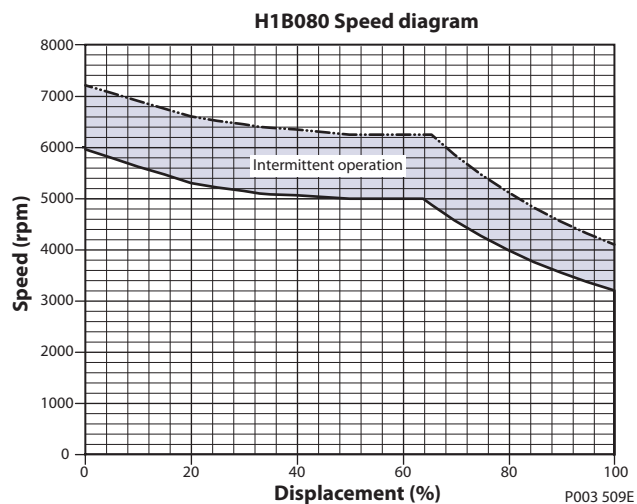
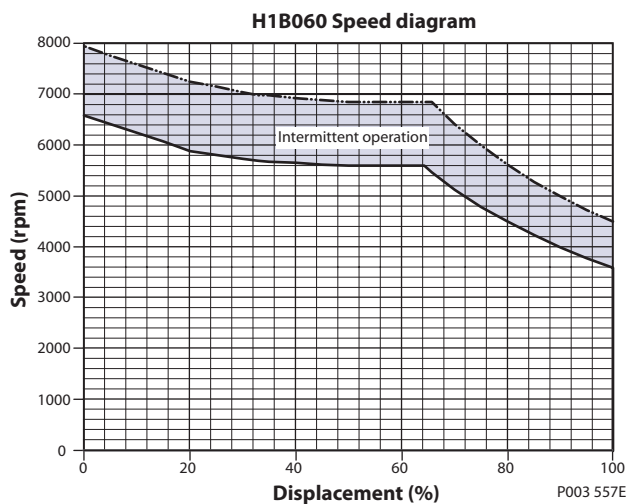
Technical Information H1 Bent Axis Variable Displacement Motors

Technical Specifications (continued)

Operating parameters

Features			Unit	Size				
				060	080	110	160	250
Output speed	Rated	maximum displacement 32°	min-1 (rpm)	3600	3200	2900	2600	2200
		minimum displacement 6°		5900	5300	4800	4250	3650
		zero displacement 0°		6600	5950	5350	4750	4050
	Maximum	maximum displacement 32°		4500	4100	3700	3300	2800
		minimum displacement 6°		7250	6600	5950	5250	4500
		zero displacement 0°		7950	7200	6500	5750	4900
System pressure	Max. working pressure		bar [psi]	450 [6527]				
	Maximum pressure			480 [6962]				
	Minimum pressure above case pressure	closed circuit		7.5 [109]				
		open circuit		See graphs on page 15 + 16				
Case pressure	Rated		bar [psi]	3 [44]				
	Maximum			5 [73]				
	Minimum			0.3 [4]				
Ambient temperature	Maximum	air temperature close to the unit	°C [°F]	+70 [158]				
	Minimum			-40 [-40]				

Closed Circuit Speed Range



For operating in the intermittent area, please contact your local Danfoss Power Solutions representative.

Technical Specifications**Open Circuit
Recommendations**

H1 Bent Axis Motors may be used in on Open Circuit (OC) applications. Since loop flushing is typically not used in OC-applications it is essential to provide sufficient cooling capacity. This can be done by motor case cross flushing. The flow rate needs to be adjusted to the cooling demand.

The highest case drain outlet port must always be used for the return flow to the cooler or tank. The motor case, the control system and the working lines connected to Port A and B must be kept full of oil at all times, whether in a dynamic or static condition. The plumbing must not allow the oil to drain down and be replaced with air in the control or rotating group.

The minimum pressure in the inlet port and the outlet port, measured at gage ports MA and MB, must be equal or higher as shown in the graphs on page 15 +16.

Counter balance valves may be used to maintain the minimum pressure requirements. Also the Danfoss Power Solutions Meter-in / Meter-out PVG technology may be used. Check valves and sufficient charge pressure supply are also possible.

At no time shall the motor be allowed to operate above the rated speed limits. If flow limiter valves are used, they must be selected accordingly.

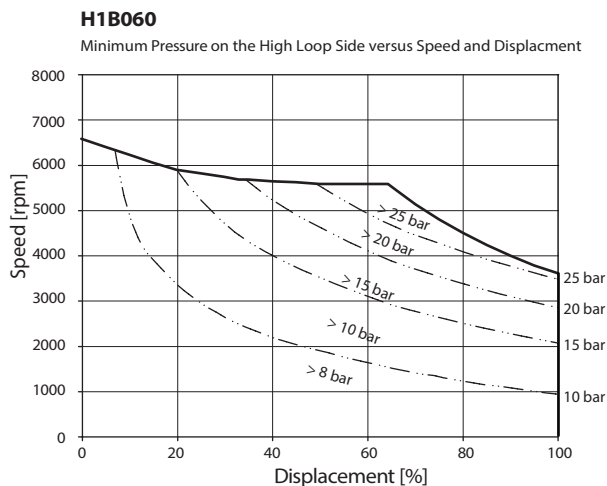
Select Motor controls which use the high loop system pressure to shift the servo piston. This will ensure proper function under all conditions.

Valve blocks, such as counter balance valves attached to the inlet and/or outlet ports, must not interfere with any part of the motor. A review of the outline drawings or appropriate 3D models must be completed.

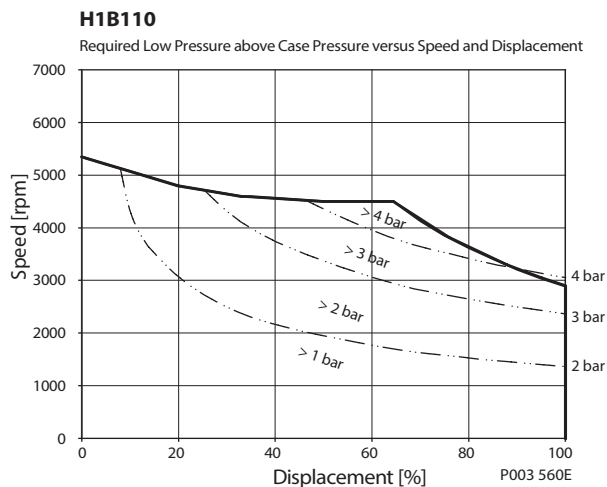
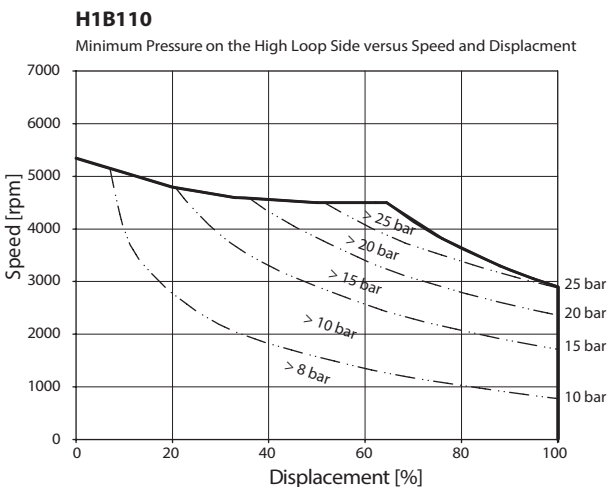
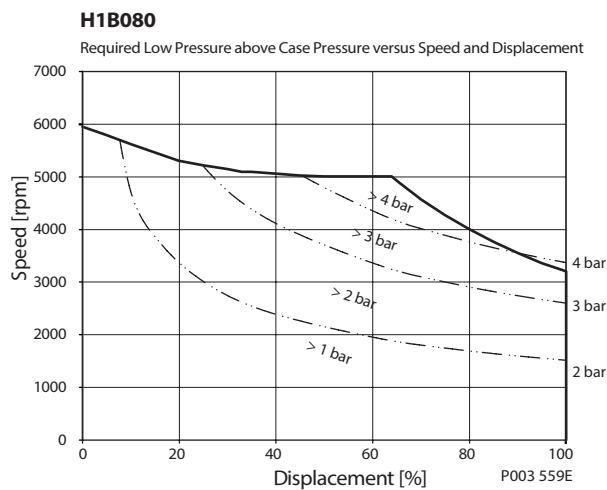
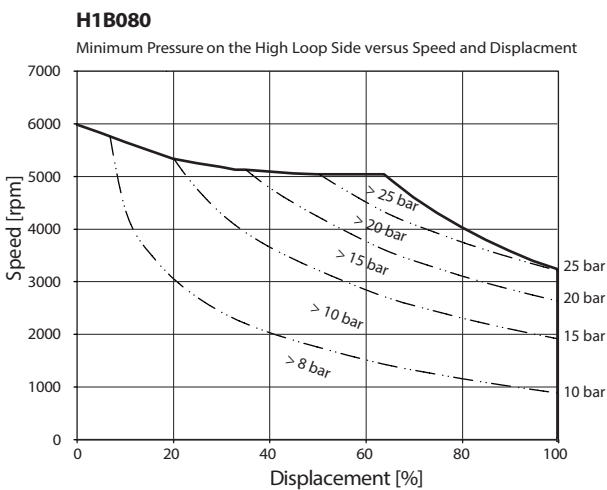
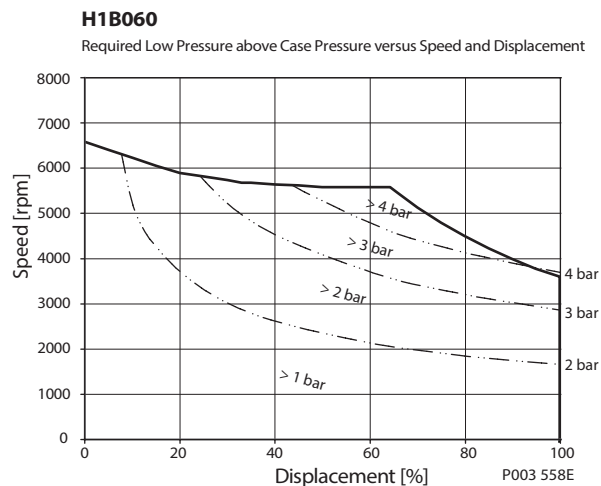
Technical Specifications

Open Circuit Requirements

Inlet port



Outlet port

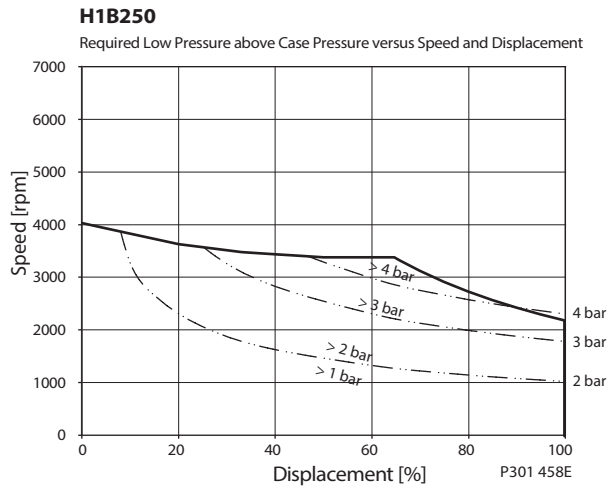
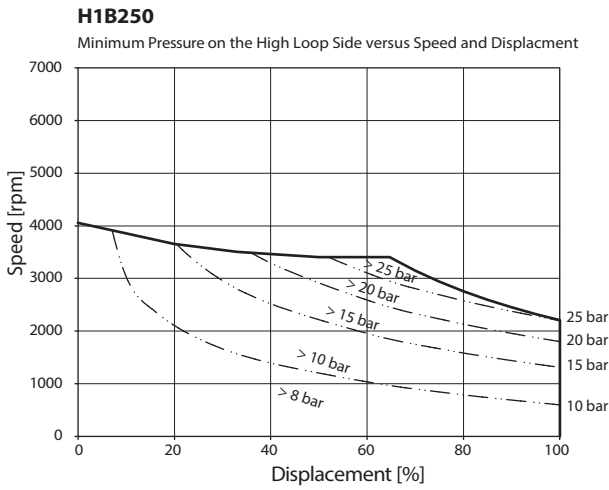
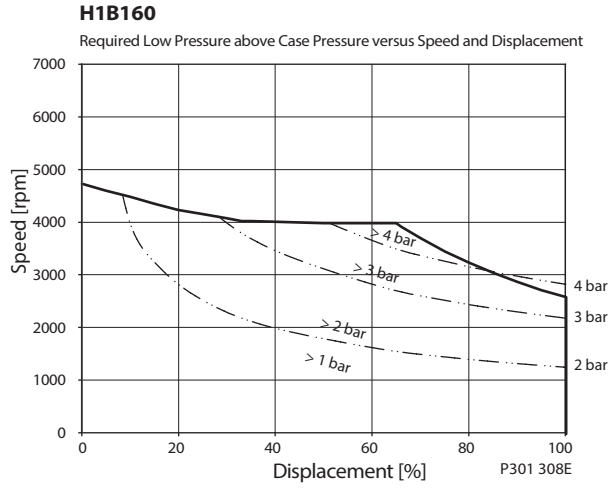
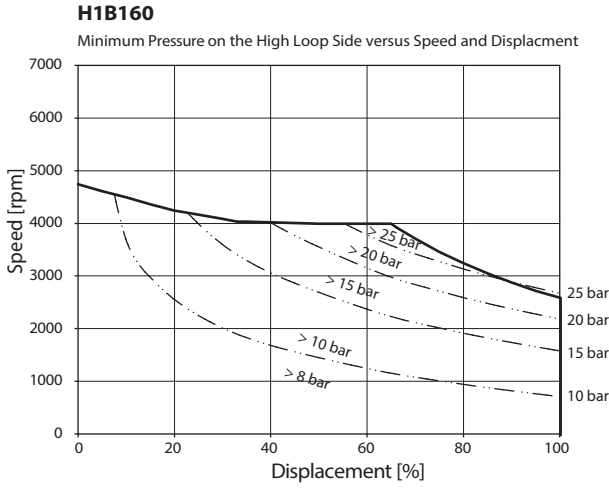


Technical Specifications

Open Circuit Requirements
(continued)

Inlet port

Outlet port



Technical Specifications
Fluid specifications

Features		Unit	
Viscosity	Minimum	mm ² /s [SUS]	7 [49]
	Recommended range		12-80 [66-366]
	Maximum		1600 [7416]
Temperature range ^{1) 2)}	Minimum	°C [°F]	-40 [-40]
	Rated		104 [220]
	Maximum intermittent		115 [240]
Filtration (recommended minimum)	Cleanliness per ISO 4406		22/18/13
	Efficiency (charge pressure filtration)	β-ratio	β ₁₅₋₂₀ = 75 (β ₁₀ ≥ 10)
	Efficiency (suction and return line filtration)		β ₃₅₋₄₅ = 75 (β ₁₀ ≥ 2)
	Recommended inlet screen mesh size	μm	100 – 125

¹⁾ At the hottest point, normally case drain port.

²⁾ Minimum: Cold Start, Short term t<3 min, p<50 bar, n<1000 rpm.

Determination of Nominal Motor Sizes
Metric system
Inch system

$$\text{Input flow } Q_e = \frac{V_g \cdot n}{1000 \cdot \eta_v} \quad \text{l/min} \quad Q_e = \frac{V_g \cdot n}{231 \cdot \eta_v} \quad \text{[US gal/min]}$$

$$\text{Output torque } M_e = \frac{V_g \cdot \Delta p \cdot \eta_{mh}}{20 \cdot \pi} \quad \text{Nm} \quad M_e = \frac{V_g \cdot \Delta p \cdot \eta_{mh}}{2 \cdot \pi} \quad \text{[lbf·in]}$$

$$\text{Output power } P_e = \frac{M_e \cdot n}{9550} = \frac{Q_e \cdot \Delta p \cdot \eta_t}{600} \quad \text{kW} \quad P_e = \frac{V_g \cdot n \cdot \Delta p \cdot \eta_t}{396\,000} \quad \text{[hp]}$$

$$\text{Speed } n = \frac{Q_e \cdot 1000 \cdot \eta_v}{V_g} \quad \text{min}^{-1} \quad n = \frac{Q_e \cdot 231 \cdot \eta_v}{V_g} \quad \text{min}^{-1}(\text{rpm})$$

Where:

V_g = Motor displacement per rev. cm³ [in³]

Δp = phigh – plow bar [psi]

p_{high} = High pressure bar [psi]

p_{low} = Low pressure bar [psi]

η_v = Motor volumetric efficiency

η_{mh} = Motor mechanical-hydraulic efficiency

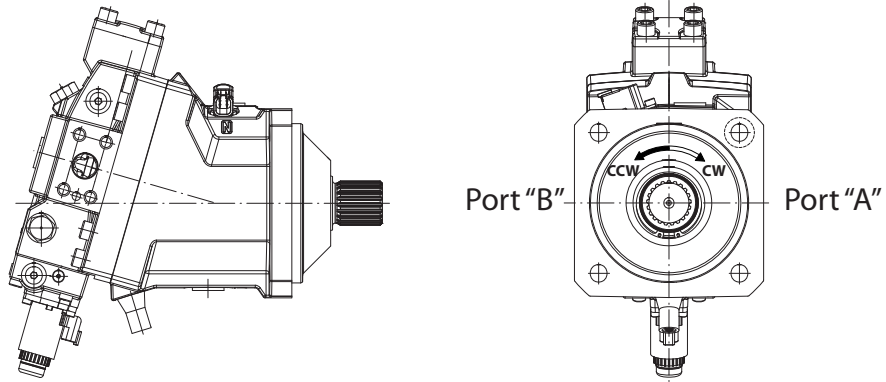
η_t = Motor total efficiency

Operation

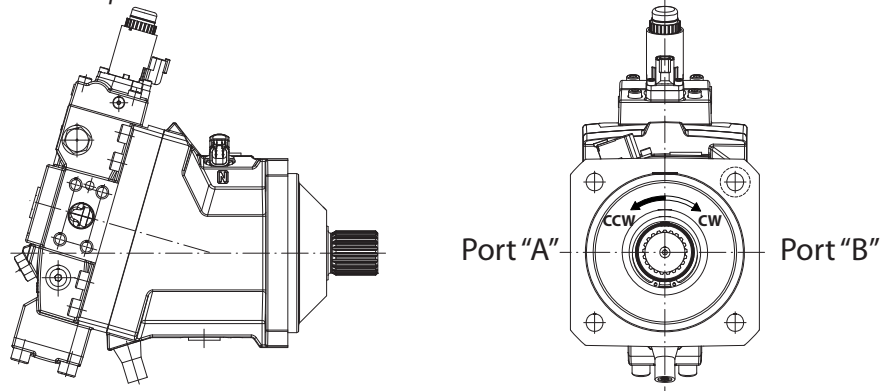
Shaft Rotation Direction

Shaft rotation direction is determined with a view to the shaft end. Rotation direction of the motor will be dependent on the control option used as illustrated below and summarized in the table.

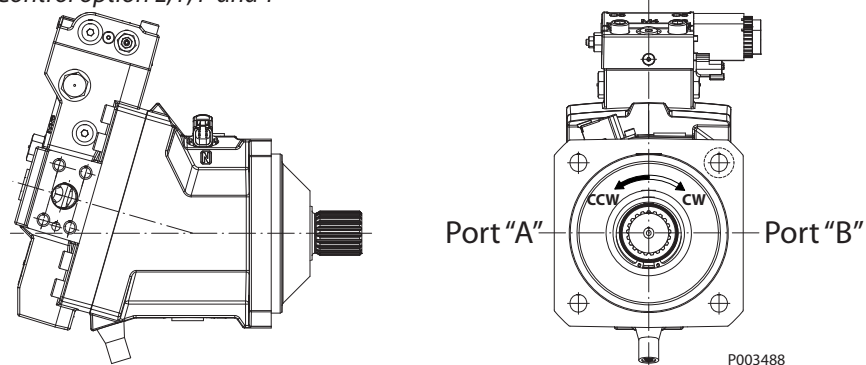
Control option L and D



Control option M and K



Control option E, F, P and T



P003488

Position of control	Flow into port	Direction of rotation (view from the shaft end)
Control options L* and D*	A	CW
	B	CCW
Control Option M*,K*,E*,F*,P*,T*,TA, HE and HF	A	CCW
	B	CW

*) 1 = 12 Vdc
2 = 24 Vdc

Operation

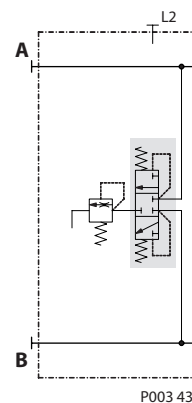
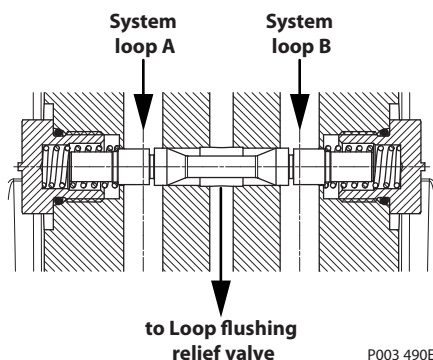
Loop Flushing Shuttle Spool

An integral loop flushing shuttle spool is used to separate system A and system B pressures. System delta pressure will cause the shuttle spool to shift, allowing the low side system pressure to flow to the loop flushing relief valve.

Warning

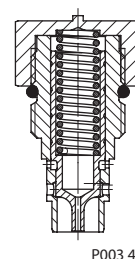
Unintended vehicle or machine movement hazard.

Excessive motor loop flushing flow may result in the inability to build required system pressure in some conditions. Maintain correct charge pressure under all conditions of operation to maintain pump control performance in hydrostatic systems.

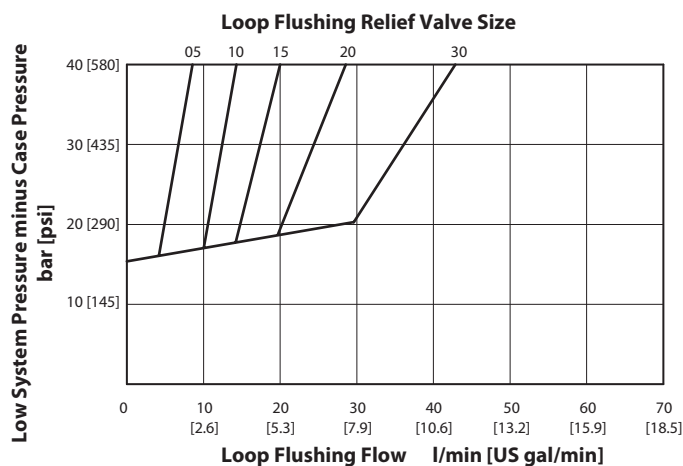
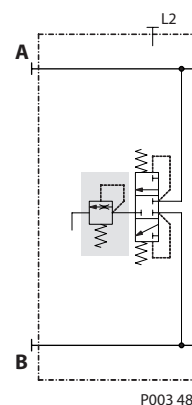


Loop Flushing Relief Valve

The loop flushing relief valve is incorporated into all H1 motors. Use the loop flushing option in installations that require fluid to be removed from the low pressure side of the system circuit due to cooling requirements. The loop flushing relief valve is also used to facilitate the removal of contaminants from the loop.



The loop flushing valve is equipped with an orificed charge pressure relief valve designed with a cracking pressure of 16 bar [232 psi]. Valves are available with several orifice sizes to meet the flushing flow requirements of all system operating conditions.



Operation
Speed Sensor

Two optional speed sensors are available. The speed sensor is designed for rugged outdoor, mobile or heavy industrial speed sensing applications. The detection of the speed is contactless and does not need any calibration or adjustments.

Order number	149055	11102032
Supply-Voltage	4,5 – 8V	7-32V
Speed Signals	Two, 90° Phase shift	one
Direction Signal	One	--
Temperature Signal	One	--

Temperature Ratings

Parameter	Min	Max	Units	Note
Operating Temperature-Range	-40	104	°C	115°C Intermittent = Short term t < 1min per incident and not exceeding 2 % of duty cycle based load-life

Protection Characteristics

Parameter		Note
Protection code IP-Class	IP 67 and IP 69k according IEC 60529 & DIN 40050	IEC 60529 IP67 w/o connector installed IP69k with connector installed
EMC-Emission	EN 61000-6-3	
EMC- Immunity (EMI)	100 V/m incl. 1 kHz AM 80 %, ISO 11452-5 and ISO 11452-2	
ESD : Air discharge Contact discharge	EN 61000-4-2: 15 kV 8 kV	
Vibration	30 G (294 m/s ²)	
Shock	50 G (490 m/s ²)	
Case pressure	5 bar maximum	

Technical Data

	Min	Max	Units	Note														
Supply-Voltage-Range	4.5	8	V _{DC}															
Supply Protection	-	30	V _{DC}	30V over voltage protection. Shuts off above 9V.														
Max. required supply current		25	mA															
Operation mode	NPN & PNP			Push-Pull amplifier														
Output signal range	Low & clockwise	5%	12%															
	High & counter-clockwise	88%	95%															
Temperature signal	-40°C = 2.203V	104°C = 0.734V		Vo=1.795V-(0.0102*T) (not for dynamic measurements)														
Detectable Frequency Range	1	10,000	Hz															
Speed and temperature sensor	Order number 149055																	
				<table border="1"> <thead> <tr> <th colspan="2">Sensor pinout</th> </tr> </thead> <tbody> <tr> <td>1</td> <td>Speed signal 2</td> </tr> <tr> <td>2</td> <td>Direction signal</td> </tr> <tr> <td>3</td> <td>Speed signal 1</td> </tr> <tr> <td>4</td> <td>Supply</td> </tr> <tr> <td>5</td> <td>Ground</td> </tr> <tr> <td>6</td> <td>Temperature</td> </tr> </tbody> </table>	Sensor pinout		1	Speed signal 2	2	Direction signal	3	Speed signal 1	4	Supply	5	Ground	6	Temperature
Sensor pinout																		
1	Speed signal 2																	
2	Direction signal																	
3	Speed signal 1																	
4	Supply																	
5	Ground																	
6	Temperature																	
Color of connector	black																	

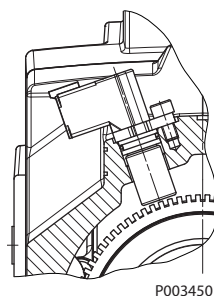
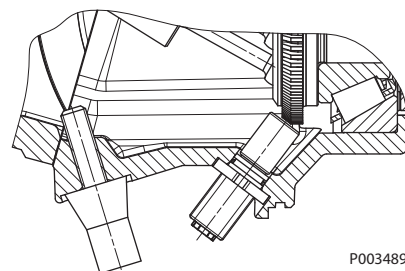
**Speed Sensor
(continued)**
Technical Data

		Min	Max	Units	Note														
Supply-Voltage-Range		7	32	V _{DC}															
Supply Protection		-	36	V _{DC}	36V over voltage protection and -36 V permanent reverse polarity protection														
Max. required supply current		-	30	mA															
Max. Output current		-	50	mA															
Operation mode		NPN open collector			With internal 2k7 pull-up resistor to supply														
Output signal range	Low	2%	6%	10%															
	High	55%	70%	85%	Max. output voltage 24V														
Detectable Frequency Range		1	10,000	Hz															
Speed and temperature sensor		Order number 11102032																	
					<table border="1"> <thead> <tr> <th colspan="2">Sensor pinout</th> </tr> </thead> <tbody> <tr> <td>1</td> <td>NC</td> </tr> <tr> <td>2</td> <td>NC</td> </tr> <tr> <td>3</td> <td>Speed signal 1</td> </tr> <tr> <td>4</td> <td>Supply</td> </tr> <tr> <td>5</td> <td>Ground</td> </tr> <tr> <td>6</td> <td>NC</td> </tr> </tbody> </table>	Sensor pinout		1	NC	2	NC	3	Speed signal 1	4	Supply	5	Ground	6	NC
Sensor pinout																			
1	NC																		
2	NC																		
3	Speed signal 1																		
4	Supply																		
5	Ground																		
6	NC																		
Color of connector		White (natural plastic color)																	

Mating Connectors

Material Number	Name	Note
11033865	Assembly Bag, DEUTSCH,DT06 6-SOCKET Black	(20-24 AWG) / 0,2 – 0,5 mm ²
11033863	Assembly Bag, DEUTSCH,DT06 6-SOCKET Grey	

For details please refer to the [Technical Information Speed and Temperature Sensor, 11046759](#).

Sensor Position
SAE and DIN housing

Cartridge housing

Target Ring

Target ring size	H1B 060	H1B 080	H1B 110	H1B 160	H1B 250
Number of teeth	71	78	86	95	108

Minimum Displacement Limiter

All Series H1 motors incorporate mechanical displacement limiters. The minimum displacement of the motor is preset at the factory with a set screw in the motor housing. A tamper-proof cap is provided.

Operating Parameters**Overview**

This section defines the operating parameters and limitation for H1 motors with regard to output speeds and pressures. For actual parameters, refer to the operating parameters for each displacement.

Output Speed**Start Speed and Low Speed Stability**

The motor produces maximum starting torque at maximum displacement.

Stable operation can be achieved at 15-34 rpm, $\pm 5\%$, depending on system pressure, in applications that require low speed stability. Motor output speed becomes more stable as speed increases.

Rated Speed is the highest output speed recommended at full power condition. Operating at, or below this speed will yield satisfactory product life.

Maximum Speed is the highest operating speed permitted. Exceeding maximum speed reduces the product life and can cause loss of hydrostatic power and dynamic braking capacity. Never exceed the maximum speed limit under any operating conditions.

Operation between Rated Speed and Maximum is reserved for **Intermittent Operation** (see page 12) not to exceed 5 minute durations. Speed above Rated are anticipated to occur during downhill braking (negative power).

Contact factory for any operation above Rated speed when negative power is not involved.

During hydraulic braking and downhill conditions, the prime mover must be capable of providing sufficient braking torque in order to avoid pump over speed. This is especially important to consider for turbocharged and Tier 4 engines.

▲ Warning

Unintended vehicle or machine movement hazard.

Exceeding maximum speed may cause a loss of hydrostatic drive line power and braking capacity. You must provide a braking system, redundant to the hydrostatic transmission, sufficient to stop and hold the vehicle or machine in the event of hydrostatic drive power loss. The braking system must also be sufficient to hold the machine in place when full power is applied.

System Pressure

System pressure is the differential pressure between high pressure system ports. It is the dominant operating variable affecting hydraulic unit life. High system pressure, which results from high load, reduces expected life. Hydraulic unit life depends on the speed and normal operating, or weighted average, pressure that can only be determined from a duty cycle analysis.

Application pressure - is the high pressure relief or pressure limiter setting normally defined within the order code of the pump. This is the applied system pressure at which the driveline generates the maximum calculated pull or torque in the application.

Maximum Working Pressure - is the highest recommended application pressure. Maximum working pressure is not intended to be a continuous pressure. Propel systems with application pressures at, or below, this pressure should yield satisfactory unit life given proper component sizing.

Operating Parameters**System Pressure
(continued)**

Maximum pressure is the highest allowable application pressure under any circumstance. For applications which are above the maximum working pressure, please contact Danfoss

Minimum pressure must be maintained under all operating conditions to avoid cavitation.

All pressure limits are differential pressures referenced to low loop (charge) pressure. Subtract the low loop gauge pressure from the high loop gauge pressure readings to compute the differential.

Summing Pressure is the sum of both the low and high loop pressures. Summing pressure above 30 bar [435 psi] guarantees reliable use within the rated speed.

Servo Pressure is the pressure in the servo system and is supplied from the high side of the loop to keep the motor at the required displacement.

Case Pressure

Under normal operating conditions, the **rated case pressure** must not be exceeded. During cold start, case pressure must be kept below maximum intermittent case pressure. Size drain plumbing accordingly.

⚠ Caution**Possible component damage or leakage.**

Operation with case pressure in excess of stated limits may damage seals, gaskets, speed sensor (if applicable) and/or housings, causing external leakage. Performance may also be affected since charge and system pressures are referenced to case pressure.

**External Shaft
Seal Pressure**

In certain applications, the output shaft seal may be exposed to external pressures. The shaft seal is designed to withstand an external pressure up to 0.25 bar [3.6 psi] above the case pressure. The case pressure limits must also be followed to ensure the shaft seal is not damaged.

Temperature and Viscosity**Temperature**

The high temperature limits apply at the hottest point in the transmission, which is normally the motor case drain. The system should generally be run at or below the published **rated temperature**.

The **maximum intermittent temperature** is based on material properties and should never be exceeded.

Cold oil will generally not affect the durability of the transmission components, but it may affect the ability of oil to flow and transmit power. Therefore, temperatures should remain 16 °C [30 °F] above the pour point of the hydraulic fluid.

The **minimum temperature** relates to the physical properties of component materials.

Size heat exchangers too keep the fluid within these limits. Danfoss recommends testing to verify that these temperature limits are not exceeded.

Viscosity

For maximum efficiency and bearing life, ensure that the fluid viscosity remains in the **recommended range**.

The **minimum viscosity** should be encountered only during brief periods of maximum ambient temperature and severe duty cycle operation.

The **maximum viscosity** should be encountered only at cold start.

System Design Parameters
Filtration System

To prevent premature wear, ensure that only clean fluid enters the hydrostatic transmission circuit. A filter capable of controlling the fluid cleanliness to ISO 4406, class 22/18/13 (SAE J1165) or better, under normal operating conditions, is recommended. These cleanliness levels cannot be applied for hydraulic fluid residing in the component housing/case or any other cavity upon delivery from the factory.

The filter may be located on the pump (integral) or in another location (remote or suction). The integral filter has a filter bypass sensor to signal the machine operator when the filter requires changing. Filtration strategies include suction or pressure filtration. The selection of the filter strategy depends on a number of factors including the contaminant ingress rate, the generation of contaminants in the system, the required fluid cleanliness, and the desired maintenance interval. Filters are selected to meet the above requirements using rating parameters of efficiency and capacity.

Filter efficiency can be measured with a Beta ratio¹ (β_x). For simple suction-filtered closed circuit transmissions and open circuit transmissions with return line filtration, a filter with a β -ratio within the range of $\beta_{35-45} = 75$ ($\beta_{10} \geq 2$) or better has been found to be satisfactory. For some open circuit systems, and closed circuits with cylinders being supplied from the same reservoir, a higher filter efficiency is recommended. This also applies to systems with gears or clutches using a common reservoir. For these systems, a charge pressure or return filtration system with a filter β -ratio in the range of $\beta_{15-20} = 75$ ($\beta_{10} \geq 10$) or better is typically required.

Because each system is unique, only a thorough testing and evaluation program can fully validate the filtration system. Please see *Design Guidelines for Hydraulic Fluid Cleanliness Technical Information*, 520L0467 for more information.

Cleanliness level and β_x -ratio			
Filtration (recommended minimum)	Cleanliness per ISO 4406		22/18/13
	Efficiency (charge pressure filtration)	β -ratio	$\beta_{15-20} = 75$ ($\beta_{10} \geq 10$)
	Efficiency (suction and return line filtration)		$\beta_{35-45} = 75$ ($\beta_{10} \geq 2$)
	Recommended inlet screen mesh size	μm	100 – 125

Fluid Selection

Ratings and performance data are based on operating with hydraulic fluids containing oxidation, rust and foam inhibitors. These fluids must possess good thermal and hydrolytic stability to prevent wear, erosion, and corrosion of motor components. Never mix hydraulic fluids of different types.

Fire resistant fluids are also suitable at modified operating conditions. Please see *Hydraulic Fluids and Lubricants Technical Information*, 520L0463, for more information. Refer to *Experience with Biodegradable Hydraulic Fluids Technical Information*, 520L0465, for information relating to biodegradable fluids. Contact Danfoss for fluids not mentioned below.

¹ Filter β_x -ratio is a measure of filter efficiency defined by ISO 4572. It is defined as the ratio of the number of particles greater than a given diameter ("x" in microns) upstream of the filter to the number of these particles downstream of the filter.

System Design Parameters**Fluid Selection
(continued)**

The following hydraulic fluids are suitable:

- Hydraulic Oil ISO 11 158 - HM (Seal compatibility and vane pump wear resistance per DIN 51 524-2 must be met)
- Hydraulic Oil ISO 11 158 - HV (Seal compatibility and vane pump wear resistance per DIN 51 524-3 must be met)
- Hydraulic Oil DIN 51 524-2 - HLP
- Hydraulic Oil DIN 51 524-3 - HVLP
- Automatic Transmission Fluid ATF A Suffix A (GM)
- Automatic Transmission Fluid Dexron II (GM), which meets Allison C-3 and Caterpillar TO-2 test
- Automatic Transmission Fluid M2C33F and G (Ford)
- Engine oils API Classification SL, SJ (for gasoline engines) and CI-4, CH-4, CG-4, CF-4 and CF (for diesel engines)
- Super Tractor Oil Universal (STOU) special agricultural tractor fluid

Reservoir

Proper sizing of the hydrostatic system reservoir will allow maximum volume changes during all system operating modes and increase de-aeration of the fluid as it passes through the tank. A suggested minimum total reservoir volume is 5/8 of the maximum charge pump flow per minute with a minimum fluid volume equal to 1/2 of the maximum charge pump flow per minute. This allows 30 seconds of fluid dwell time for removing entrained air at the maximum return flow. This is usually adequate to allow for a closed reservoir having no breather in most applications.

Locate the reservoir outlet to the charge pump inlet above the bottom of the reservoir to take advantage of gravity separation and prevent large foreign particles from entering the charge inlet line. A 100-125 mesh screen over the reservoir outlet port is recommended. Position the reservoir inlet for the fluid return to discharge below the normal fluid level and toward the interior of the tank. A baffle or baffles, between the inlet and outlet of the reservoir will further increase de-aeration and reduce surging of the fluid.

Case Drain

A case drain line must be connected to the case outlets of each motor to return the internal leakage oil to the system reservoir. When filling the case before start up, use the highest case drain outlet to promote complete filling of the case. The case drain fluid is typically the hottest fluid in the system. It is highly recommended to route the case drain flow through a heat exchanger before it is returned to the reservoir.

In some applications, the use of additional cross-flushing of the motor may be required. If the motor is used mainly in a high speed application, higher cooling requirements may be needed for the rotating kit and tapered roller bearings.

Use the lowest case drain port as the inlet port and the highest case drain port as the outlet port. This will ensure that the case is full of oil at all times.

Apply unit case pressure ratings to case drain routing and design.

**Independent Braking
System**** Warning****Unintended vehicle or machine movement hazard**

Exceeding maximum speed may cause a loss of hydrostatic drive line power and braking capacity. You must provide a braking system, redundant to the hydrostatic transmission, sufficient to stop and hold the vehicle or machine in the event of hydrostatic drive power loss. The braking system must also be sufficient to hold the machine in place when full power is applied.

System Design Parameters**Bearing Loads & Life**

Bearing life is a function of speed, system pressure, motor angle and any external side or thrust loads. The influence of motor angle includes displacement as well as direction. External side loads are found in some applications such as a helical gear without its own support bearings, installed directly on to the motor shaft. All external side loads will act to reduce the normal bearing life of the motor. Other life factors include oil type and viscosity.

When external side loads are present, the allowable radial shaft loads are a function of the load position relative to the mounting flange, the load orientation relative to the internal loads and the operating pressures of the hydraulic unit. In applications where external shaft loads cannot be avoided, the impact on bearing life can be minimized by proper orientation of the load. Optimal motor orientation is a consideration of the net loading on the shaft from the external load and the motor rotating kit.

Contact Danfoss for a bearing life review if external side loads and thrust loads are present.

Shaft Torque

Available shafts are capable to transmit the maximum torque capability at maximum working pressure.

Lubrication or similar treatment of splined motor shaft is recommended for proper torque transmission.

Consult document number L1310978, Lubrication of Splined Shafts, for more details.

**Model Code
(continued)**

	A	B	C	D	E	F	G	H	J	K	L	M	N	P	Q	R
H1 B		A			N							NN				NNN

E Orifices

A	1.2 mm [0.047 in] diameter orifices M4 and M5
B	0.8 mm [0.031 in] diameter orifices M4 and M5
C	0.6 mm [0.024 in] diameter orifices M4 and M5

F Endcap type and ports

PA	Endcap for prop. controls, axial ports ISO 6162 type 1 (metric), use with "L*" and "D*" controls
PB	Endcap for prop. controls, side ports ISO 6162 type 1 (metric), use with "L*" and "D*" controls
RA	Endcap for prop. controls, axial ports ISO 6162 type 1 (metric), use with "M*" and "K*" controls
RB	Endcap for prop. controls, side ports ISO 6162 type 1 (metric), use with "M*" and "K*" controls
TA	Endcap for 2 Pos. and Pressure Compensator Over Ride controls, axial ports ISO 6162 type 1 (metric), use with "E*", "F*", "H*", "T*" and "P*" controls
TB	Endcap for 2 Pos. and Pressure Compensator Over Ride controls, side ports ISO 6162 type 1 (metric), use with "E*", "F*", "H*", "T*" and "P*" controls

G Flange and housing

		Size	060	080	110	160	250
VN	SAE Flange motor housing (ISO 3019/1), no speed sensor port		●	●	●	●	●
DN	DIN Flange motor housing (ISO 3019/2), no speed sensor port		●	●	●	●	
CN	Cartridge Flange motor housing, no speed sensor port		●	●	●	●	
VS	SAE Flange motor housing (ISO 3019/1), with speed sensor port		●	●	●	●	●
DS	DIN Flange motor housing (ISO 3019/2), with speed sensor port		●	●	●	●	
CS	Cartridge Flange motor housing, with speed sensor port		●	●	●	●	

H Shaft and speed ring

		Size	060	080	110	160	250
AN	14 teeth 12/24 pitch ANSI 92.1 1970 class 5, no speed ring		●	●			
BN	21 teeth 16/32 pitch ANSI 92.1 1970 class 5, no speed ring		●	●			
CN	23 teeth 16/32 pitch ANSI 92.1 1970 class 5, no speed ring			●			
DN	27 teeth 16/32 pitch ANSI 92.1 1970 class 5, no speed ring				●	●	●
EN	13 teeth 8/16 pitch ANSI 92.1 1970 class 5, no speed ring				●	●	
FN	15 teeth 8/16 pitch ANSI 92.1 1970 class 5, no speed ring					●	●
GN	W30x2x30x14x9g DIN 5480, no speed ring		●				
HN	W35x2x30x16x9g DIN 5480, no speed ring		●	●			
JN	W40x2x30x18x9g DIN 5480, no speed ring			●	●		
KN	W45x2x30x21x9g DIN 5480, no speed ring				●	●	
LN	W50x2x30x24x9g DIN 5480, no speed ring					●	
AS	14 teeth 12/24 pitch ANSI 92.1 1970 class 5, with speed ring		●	●			
BS	21 teeth 16/32 pitch ANSI 92.1 1970 class 5, with speed ring		●	●			
CS	23 teeth 16/32 pitch ANSI 92.1 1970 class 5, with speed ring			●			
DS	27 teeth 16/32 pitch ANSI 92.1 1970 class 5, with speed ring				●	●	●
ES	13 teeth 8/16 pitch ANSI 92.1 1970 class 5, with speed ring				●	●	
FS	15 teeth 8/16 pitch ANSI 92.1 1970 class 5, with speed ring					●	●
GS	W30x2x30x14x9g DIN 5480, with speed ring		●				
HS	W35x2x30x16x9g DIN 5480, with speed ring		●	●			
JS	W40x2x30x18x9g DIN 5480, with speed ring			●	●		
KS	W45x2x30x21x9g DIN 5480, with speed ring				●	●	
LS	W50x2x30x24x9g DIN 5480, with speed ring					●	

J Sensor

N	No speed sensor
B	Speed sensor, 7V to 32V DEUTSCH DTM 04-6P connector
S	Speed sensor, DEUTSCH DTM 04-6P connector
P	Speed sensor ready (plugged)

● = Available options

Model Code
(continued)

H1 B A B C D E F G H J K L M N P Q R

A N N N N N N

Q PCOR setting

00	For all controls without PCOR function
16	PCOR pressure setting 160 bar [2321 psi]
17	PCOR pressure setting 170 bar [2466 psi]
18	PCOR pressure setting 180 bar [2611 psi]
19	PCOR pressure setting 190 bar [2756 psi]
20	PCOR pressure setting 200 bar [2901 psi]
21	PCOR pressure setting 210 bar [3046 psi]
22	PCOR pressure setting 220 bar [3191 psi]
23	PCOR pressure setting 230 bar [3336 psi]
24	PCOR pressure setting 240 bar [3481 psi]. Standard setting at production test for P* controls • 800 mA for P1 • 400 mA for P2
25	PCOR pressure setting 250 bar [3626 psi]
26	PCOR pressure setting 260 bar [3771 psi]
27	PCOR pressure setting 270 bar [3916 psi]
28	PCOR pressure setting 280 bar [4061 psi]
29	PCOR pressure setting 290 bar [4206 psi]
30	PCOR pressure setting 300 bar [4351 psi]

R Paint and nametag

NNN	Black paint and Nametag
------------	-------------------------

Control Operation and Description**Electric Controls**

Motor displacement can be changed electro hydraulically under load in response to an electrical signal from maximum displacement to minimum displacement and vice versa. Under some circumstances, such as contamination, the control spool could stick and cause the motor to stay at some displacement.

Electric Proportional Controls

The electric proportional control consists of a proportional solenoid which acts directly on a two-position, three-way porting spool. When activated, the solenoid pushes on the spool which then ports high pressure to the larger diameter of the servo piston. The servo piston and rotating group move to change the displacement to the point where the pressures on the servo are in balance with the force from the feedback spring.

De-energized = maximum displacement

With a de-energized to maximum displacement control, the de-energized proportional valve keeps the motor at maximum displacement. When energized, the solenoid pushes on the porting spool which moves to port high system pressure to the larger diameter end of the servo piston. Depending on the current supplied to the proportional valve, the motor will stroke between maximum displacement at zero current and minimum displacement at maximum current.

De-energized = minimum displacement

With a de-energized to minimum displacement control, the de-energized proportional valve keeps the motor at minimum displacement. When energized, the solenoid pushes on the porting spool which moves to port high system pressure to the larger diameter end of the servo piston. Depending on the current supplied to the proportional valve, the motor will stroke between minimum displacement at zero current and maximum displacement at maximum current.

Electric Two-Position Controls

The electric two-position control consists of an off/on-solenoid which acts on a two position, three-way porting spool. Servo pressure is internally supplied to the two-position porting spool by an integral system pressure shuttle.

De-energized = maximum displacement

When the solenoid is de-energized, the motor runs at maximum displacement. When energized, the solenoid applies a force on the spool which ports high pressure to the larger diameter of the servo piston and strokes the motor to minimum displacement. When the solenoid is de-energized, the motor strokes back to maximum displacement.

De-energized = minimum displacement

When the solenoid is de-energized, the motor runs at minimum displacement. When energized, the solenoid applies a force on the spool which ports the larger diameter of the servo piston to tank, and strokes the motor to maximum displacement. When the solenoid is de-energized, the motor strokes back to minimum displacement.

Servo Supply

The system shuttle check valve supplies the control system with high system pressure.

Controls Options Operation and Description**Control Options**

To enhance the performance of our motors, several options are available to augment the performance of the control system. These control enhancements include **Pressure Compensator Over Ride (PCOR)**, **Proportional Pressure Compensator Over Ride (PPCOR)**, and **Brake Pressure Defeat (BPD)**.

PCOR

The de-energized electric control keeps the motor at minimum displacement. The electric control can be overridden by the PCOR using high loop system pressure. When the system pressure rises above the PCOR setting, the PCOR override will be activated. The motor then increases to maximum displacement. The motor displacement is regulated automatically between minimum and maximum in response to the high loop pressure. This ensures optimal power throughout the entire displacement range of the motor.

The pressure compensator control can also be overridden with an electric off/on-solenoid option. When the solenoid is energized, the motor strokes to maximum displacement and stays at that position until the solenoid is de-energized.

Proportional with PCOR

In the de-energized state, the electric proportional control keeps the motor at minimum displacement until system pressure rises above the PCOR setting. When the PCOR activates, it ports high system pressure to the larger end of the servo piston, increasing the motor displacement to maximum.

Two Position with PCOR

In the de-energized state, the electric two-position control supplies both sides of the servo piston and keeps the motor at minimum displacement as long as the high loop pressure remains below the pressure compensator setting. If the high loop pressure rises above the pressure compensator setting, the porting spool ports the larger diameter of the servo piston to tank. The motor strokes in the direction of maximum displacement.

Two Position with Proportional PCOR

The PPCOR valve consists of an electric proportional solenoid and a two-position, three-way porting spool with an adjustable spring force on the opposite end of the spool. Maximum signal current to the proportional solenoid overrides the pressure compensator and strokes the motor to maximum displacement. The proportional solenoid changes the pressure compensator setting to allow different, on the go, settings. The solenoid and the high system pressure work against the spring on the end of the two-position, three-way porting spool. With decreased signal current on the proportional solenoid, the reduction of the forces from the proportional solenoid cause an increased pressure compensator setting for the high system pressure and consequently provides a proportional pressure compensator. During production test, the PPCOR setting is adjusted to 240 bar with the adjusting screw on the control housing in reference to input current of:

- 800 mA for P1 (12 V)
- 400 mA for P2 (24 V)

**Controls Options Operation
and Description****Hydraulic Two-Position
Control**

Motor displacement can be changed hydraulically, under load, from maximum to minimum displacement and vice versa in response to an external hydraulic signal.

The hydraulic two-position control uses an external source for control pressure supply (e. g. charge pressure). This control pressure acts on a two position, three-way porting spool. Servo pressure is internally supplied to the two-position porting spool by an integral system shuttle check valve.

Default (without control pressure) = maximum displacement

With no control pressure applied, the motor operates at maximum displacement. When control pressure is applied, the spool shifts, porting high system pressure to the large diameter end of the servo piston, shifting the motor to minimum displacement. When the control pressure is removed, spring forces move the spool, allowing the large diameter end of the servo piston to drain to tank, shifting the motor to maximum displacement.

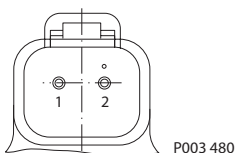
Default (without control pressure) = minimum displacement

With no control pressure applied, the motor operates at minimum displacement. When control pressure is applied, the spool shifts, porting the large diameter end of the servo piston to tank, shifting the motor to maximum displacement. When the control pressure is removed, spring forces move the spool, porting high pressure to the large diameter end of the servo piston, shifting the motor to minimum displacement.

Notes

Controls Options Operation and Description
Control Options BPD

For propel applications, use the electric BPD option in conjunction with the PCOR option. The BPD shuttle valve is located ahead of the pressure compensator control valve. The BPD defeat consists of an electric off/on-solenoid and a two-position, three-way porting spool. The applied logic allows the pressure compensator control to operate normally with high loop system pressure during acceleration and cuts off the supply pressure during deceleration if the motor is running in pump mode. This prevents rapid or uncontrolled deceleration while the machine is slowing down. With the BPD solenoid de-energized, the porting spool is centered by spring force. The BPD solenoid must be controlled by a direction lever switch or an output signal from a micro controller.

Electric Solenoid Connector
Solenoid connector


Description	Quantity	Ordering number
Mating connector	1	Deutsch® DT06-2S
Wedge lock	1	Deutsch® W2S
Socket contact (16 and 18 AWG)	2	Deutsch® 0462-201-16141
Danfoss mating connector kit	1	K29657

Applications-related Controls

The following table is provided to assist in selecting controls for various applications. The recommendation is based on experience with a wide range of applications.

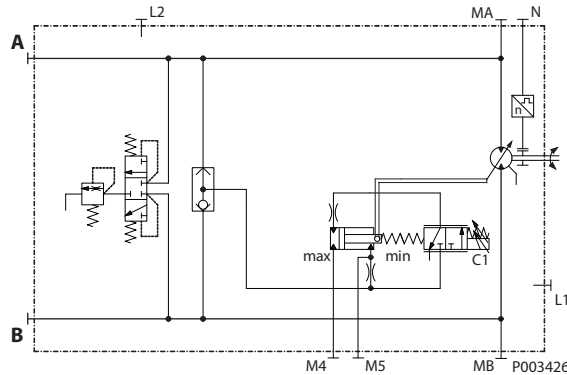
Machine	Function	Controls															
		L*BA	D*MA	D*M*	M*CA	K*K*	K*KA	E*AA	F*EA	TADA	TAD*	T*D*	P*D*	T*DA	P*DA	HEHE	HFHF
Wheel loader	Propel			●		●						●	●			●	
Roller compactor	Propel							●	●							●	
Paver-Wheeled	Propel							●	●								
Paver-Tracked	Propel							●	●								
Crawler	Propel	●															
Sweeper	Propel					●						●	●				
Trencher	Propel	●															
Fork lift truck	Propel			●		●					●		●				
Agricultural machine	Propel	●				●				●							●
Wheel assist	Propel			●	●						●						●
Forestry machines	Propel					●											
Telescopic handler	Propel					●							●				
Railroad machines	Propel			●				●	●		●	●					
Snow groomer	Propel	●															
Snow blower	Blow drive							●							●	●	
Crane	Winch	●						●									
Crusher / Shredder	Roll		●					●			●			●	●		

*) 1 = 12 Vdc
2 = 24 Vdc

Controls Circuit Diagram
 – Nomenclature
 – Description

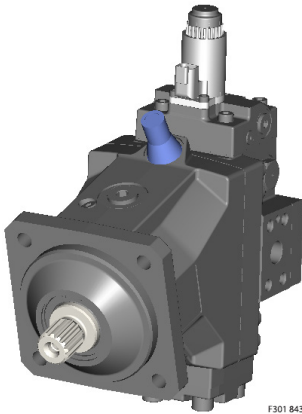
Electric Proportional Control
 Options L1BA, L2BA

- L1** (Electric Proportional 12 V /**de-energized = max. displacement**)
- BA** (without Pressure Compensator Over Ride / without Brake Pressure Defeat)
- L2** (Electric Proportional 24 V /**de-energized = max. displacement**)
- BA** (without Pressure Compensator Over Ride / without Brake Pressure Defeat)



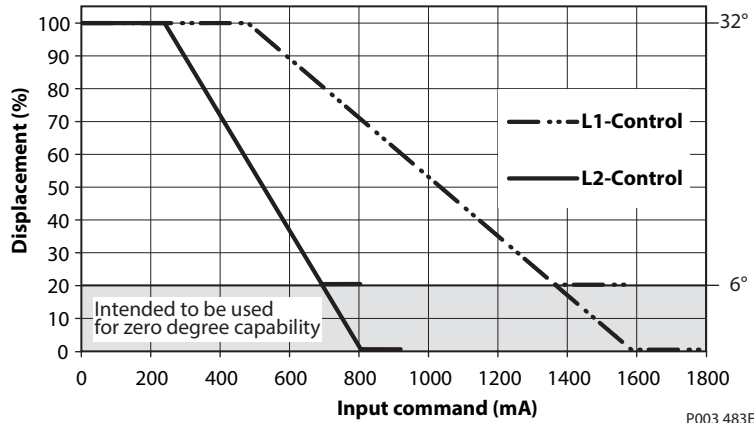
- Ports:
- A, B = Main pressure lines
 - L1, L2 = Drain lines
 - M4, M5 = Gauge port servo pressure
 - N = Speed sensor (optional)
 - MA, MB = Gauge port system pressure

Solenoid C1
 De-energized = maximum displacement
 Full-energized = minimum displacement



F301 843

Displacement versus input command



P003 483E

Below are formulas to calculate start and end input command dependent on displacements:

Control type		All sizes
L1	Start input command (mA) from 100 % displacement	480 ± 10
L1	Start input command (mA) from y % max displacement	(1 - Vgy/Vgmax) x 1110 + 480
L1	End input command (mA) at 0 % displacement	1590 ± 130
L1	End input command (mA) at x % min displacement	(1 - Vgx/Vgmax) x 1110 + 480
L2	Start input command (mA) from 100 % displacement	240 ± 5
L2	Start input command (mA) from y % max displacement	(1 - Vgy/Vgmax) x 570 + 240
L2	End input command (mA) at 0 % displacement	810 ± 67
L2	End input command (mA) at x % min displacement	(1 - Vgx/Vgmax) x 570 + 240
L1	Max allowed current (mA)	1800
L2	Max allowed current (mA)	920

Controls Circuit Diagram
 – Nomenclature
 – Description

Electric Proportional Control
Options L1BA, L2BA
(continued)

Proportional solenoid data C1

Description	Voltage	
	12 V	24 V
Maximum current	1800 mA	920 mA
Nominal coil resistance @ 20 °C [68 °F]	3.66 Ω	14.20 Ω
Nominal coil resistance @ 80 °C [176 °F]	4.52 Ω	17.52 Ω
PWM Range	70-200 Hz	
PWM Frequency (preferred)*	100 Hz	
Inductance	33 mH	140 mH
IP Rating (IEC 60 529)	IP 67	
IP Rating (DIN 40 050) with mating connector	IP 69K	

* PWM signal required for optimum control performance.

Controls Circuit Diagram
– Nomenclature
– Description

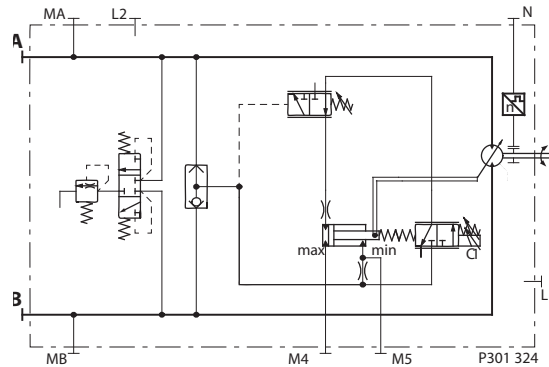
Electric Proportional Control with Pressure Compensator OverRide (PCOR)
Options D1MA, D2MA

D1 (Electric Proportional 12 V/ **de-energized = max. displacement**)
MA (with Pressure Compensator Over Ride / without Brake Pressure Defeat)

D2 (Electric Proportional 24 V/ **de-energized = max. displacement**)
MA (with Pressure Compensator Over Ride / without Brake Pressure Defeat)

Caution

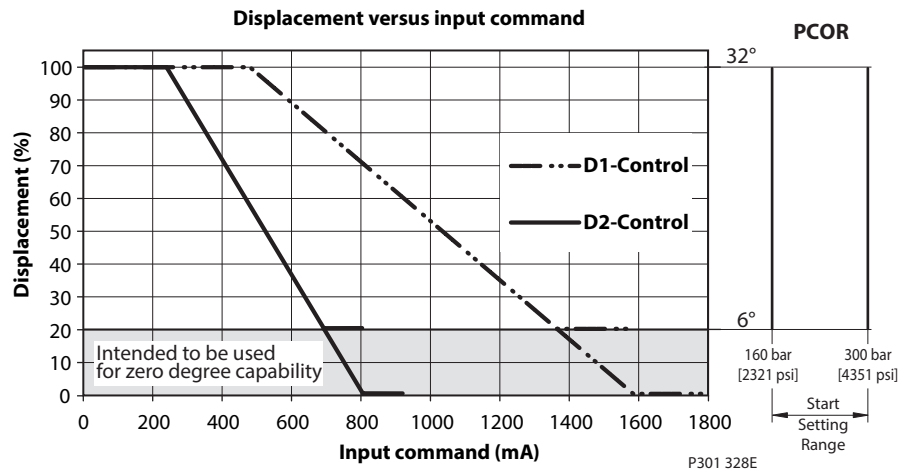
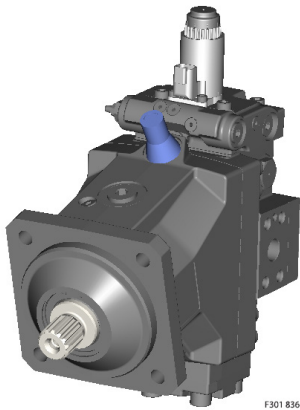
This control is not for use in Propel Applications.



Ports:
A, B = Main pressure lines
L1, L2 = Drain lines
M4, M5 = Gauge port servo pressure
N = Speed sensor (optional)
MA, MB = Gauge port system pressure

Solenoid C1

De-energized = maximum displacement
Full-energized = minimum displacement



Below are formulas to calculate start and end input command dependent on displacements:

Control type		All sizes
D1	Start input command (mA) from 100 % displacement	480 ± 10
D1	Start input command (mA) from y % max displacement	(1 - Vgy/Vgmax) x 1110 + 480
D1	End input command (mA) at 0 % displacement	1590 ± 130
D1	End input command (mA) at x % min displacement	(1 - Vgx/Vgmax) x 1110 + 480
D2	Start input command (mA) from 100 % displacement	240 ± 5
D2	Start input command (mA) from y % max displacement	(1 - Vgy/Vgmax) x 570 + 240
D2	End input command (mA) at 0 % displacement	810 ± 67
D2	End input command (mA) at x % min displacement	(1 - Vgx/Vgmax) x 570 + 240
D1	Max allowed current (mA)	1800
D2	Max allowed current (mA)	920

Controls Circuit Diagram
 – Nomenclature
 – Description

**Electric Proportional
 Control with Pressure
 Compensator OverRide
 (PCOR)
 Options D1MA, D2MA**
Proportional solenoid data C1

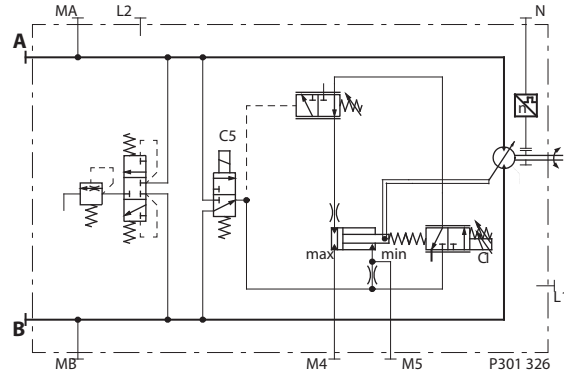
Description	Voltage	
	12 V	24 V
Maximum current	1800 mA	920 mA
Nominal coil resistance @ 20 °C [68 °F]	3.66 Ω	14.20 Ω
Nominal coil resistance @ 80 °C [176 °F]	4.52 Ω	17.52 Ω
PWM Range	70-200 Hz	
PWM Frequency (preferred)*	100 Hz	
Inductance	33 mH	140 mH
IP Rating (IEC 60 529)	IP 67	
IP Rating (DIN 40 050) with mating connector	IP 69K	

* PWM signal required for optimum control performance.

Controls Circuit Diagram
– Nomenclature
– Description

Electric Proportional Control with Pressure Compensator OverRide (PCOR) and Electric Brake Pressure Defeat (BPD) Options D1M1, D2M2

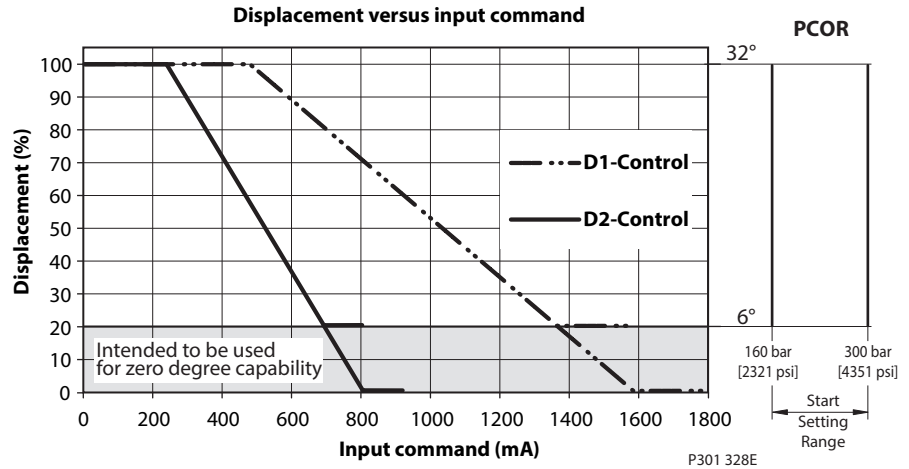
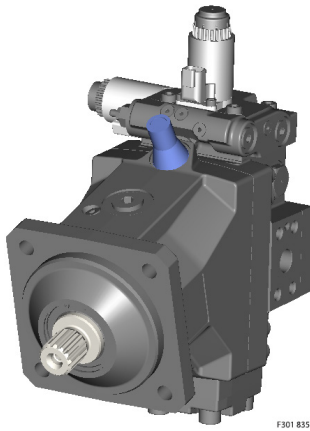
- D1** (Electric Proportional 12 V/ **de-energized = max. displacement**)
- M1** (with Pressure Compensator Over Ride / with Electric 12V Brake Pressure Defeat de-energized BPD = PCOR active at port B)
- D2** (Electric Proportional 24 V/ **de-energized = max. displacement**)
- M2** (with Pressure Compensator Over Ride / with Electric 24V Brake Pressure Defeat) de-energized BPD = PCOR active at port B)



- Ports:
- A, B = Main pressure lines
 - L1, L2 = Drain lines
 - M4, M5 = Gauge port servo pressure
 - N = Speed sensor (optional)
 - MA, MB = Gauge port system pressure

Solenoid C1

- De-energized = maximum displacement
- Full-energized = minimum displacement



Below are formulas to calculate start and end input command dependent on displacements:

Control type		All sizes
D1	Start input command (mA) from 100 % displacement	480 ± 10
D1	Start input command (mA) from y % max displacement	(1 - Vgy/Vgmax) x 1110 + 480
D1	End input command (mA) at 0 % displacement	1590 ± 130
D1	End input command (mA) at x % min displacement	(1 - Vgx/Vgmax) x 1110 + 480
D2	Start input command (mA) from 100 % displacement	240 ± 5
D2	Start input command (mA) from y % max displacement	(1 - Vgy/Vgmax) x 570 + 240
D2	End input command (mA) at 0 % displacement	810 ± 67
D2	End input command (mA) at x % min displacement	(1 - Vgx/Vgmax) x 570 + 240
D1	Max allowed current (mA)	1800
D2	Max allowed current (mA)	920

Controls Circuit Diagram
 – Nomenclature
 – Description

Electric Proportional Control with Pressure Compensator OverRide (PCOR) and Electric Brake Pressure Defeat (BPD) Options D1M1, D2M2
Proportional solenoid data C1

Description	Voltage	
	12 V	24 V
Maximum current	1800 mA	920 mA
Nominal coil resistance @ 20 °C [68 °F]	3.66 Ω	14.20 Ω
Nominal coil resistance @ 80 °C [176 °F]	4.52 Ω	17.52 Ω
PWM Range	70-200 Hz	
PWM Frequency (preferred)*	100 Hz	
Inductance	33 mH	140 mH
IP Rating (IEC 60 529)	IP 67	
IP Rating (DIN 40 050) with mating connector	IP 69K	

* PWM signal required for optimum control performance.

Two-position solenoid data C5 (Brake pressure defeat)

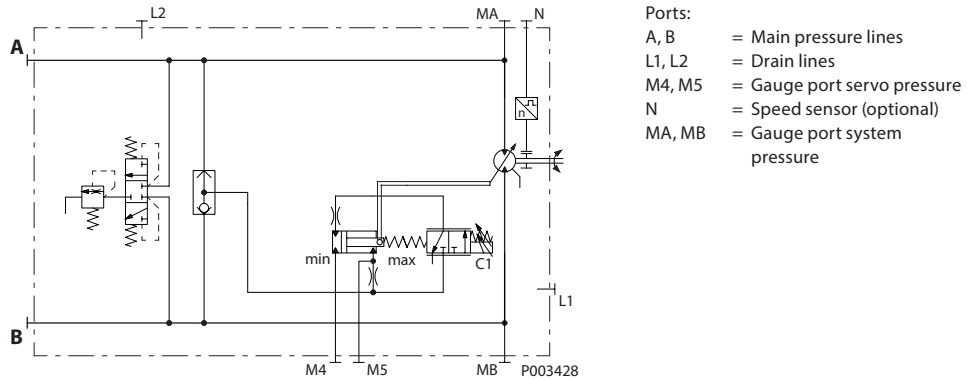
Min. supply voltage	9.5 Vdc	19.0 Vdc
Max. supply voltage (continuous)	14.6 Vdc	29.0 Vdc
Nominal coil resistance @ 20 °C [68 °F]	8.4 Ω	34.5 Ω
Recommended input current	1050 mA	500 mA
IP Rating (IEC 60 529)	IP 67	
IP Rating (DIN 40 050) with mating connector	IP 69K	

* PWM signal required for optimum control performance.

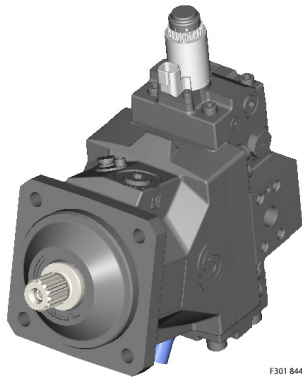
Controls Circuit Diagram
 – Nomenclature
 – Description

Electric Proportional Control
Options M1CA, M2CA

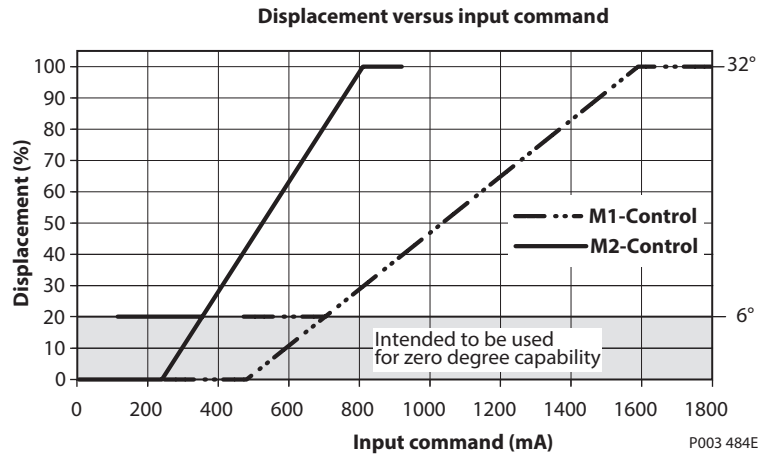
- M1** (Electric Proportional 12 V / **de-energized = min. displacement**)
- CA** (without Pressure Compensator Over Ride / without Brake Pressure Defeat)
- M2** (Electric Proportional 24 V / **de-energized = min. displacement**)
- CA** (without Pressure Compensator Over Ride / without Brake Pressure Defeat)



Solenoid C1
 De-energized = minimum displacement
 Full-energized = maximum displacement



F301 844



Below are formulas to calculate start and end input command dependent on displacements:

Control type		All sizes
M1	Start input command (mA) from 0 % displacement	480 ± 10
M1	Start input command (mA) from x % min displacement	$(Vgx/Vgmax) \times 1110 + 480$
M1	End input command (mA) at 100 % displacement	1590 ± 130
M1	End input command (mA) at y % max displacement	$(Vgy/Vgmax) \times 1110 + 480$
M2	Start input command (mA) from 0 % displacement	240 ± 5
M2	Start input command (mA) from x % min displacement	$(Vgx/Vgmax) \times 570 + 240$
M2	End input command (mA) at 100 % displacement	810 ± 67
M2	End input command (mA) at y % max displacement	$(Vgy/Vgmax) \times 570 + 240$
M1	Max allowed current (mA)	1800
M2	Max allowed current (mA)	920

Controls Circuit Diagram
 – Nomenclature
 – Description

Electric Proportional Control Options M1CA, M2CA (continued)
Proportional solenoid data C1

Description	Voltage	
	12 V	24 V
Maximum current	1800 mA	920 mA
Nominal coil resistance @ 20 °C [68 °F]	3.66 Ω	14.20 Ω
Nominal coil resistance @ 80 °C [176 °F]	4.52 Ω	17.52 Ω
PWM Range	70-200 Hz	
PWM Frequency (preferred)*	100 Hz	
Inductance	33 mH	140 mH
IP Rating (IEC 60 529)	IP 67	
IP Rating (DIN 40 050) with mating connector	IP 69K	

* PWM signal required for optimum control performance.

Controls Circuit Diagram
– Nomenclature
– Description

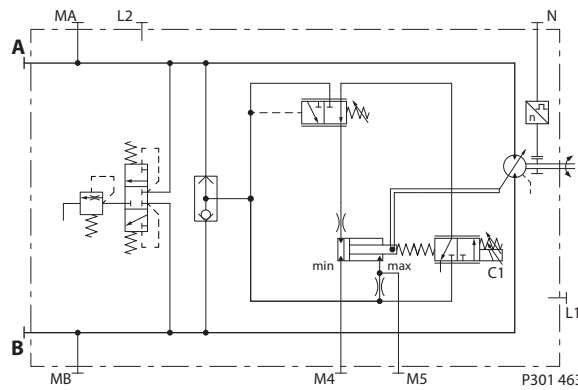
Electric Proportional Control with Pressure Compensator OverRide (PCOR)
Options K1KA, K2KA

K1 (Electric Proportional 12 V /de-energized = min. displacement / with PCOR)
KA (with PCOR / without BPD)

K2 (Electric Proportional 24 V /de-energized = min. displacement / with PCOR)
KA (with PCOR / without BPD)

⚠ Caution

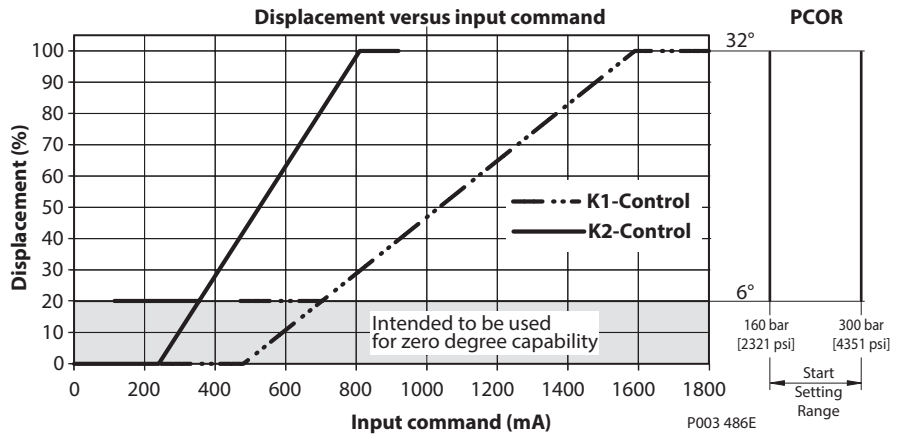
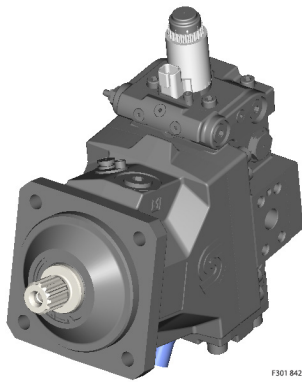
This control is not for use in Propel Applications.



Ports:
A, B = Main pressure lines
L1, L2 = Drain lines
M4, M5 = Gauge port servo pressure
N = Speed sensor (optional)
MA, MB = Gauge port system pressure

Solenoid C1

De-energized = minimum displacement
Full-energized = maximum displacement



Below are formulas to calculate start and end input command dependent on displacements:

Control type		All sizes
K1	Start input command (mA) from 0 % displacement	480 ± 10
K1	Start input command (mA) from x % max displacement	$(Vgx/Vgmax) \times 1110 + 480$
K1	End input command (mA) at 100 % displacement	1590 ± 130
K1	End input command (mA) at y % max displacement	$(Vgy/Vgmax) \times 1110 + 480$
K2	Start input command (mA) from 0 % displacement	240 ± 5
K2	Start input command (mA) from x % min displacement	$(Vgx/Vgmax) \times 570 + 240$
K2	End input command (mA) at 100 % displacement	810 ± 67
K2	End input command (mA) at y % max displacement	$(Vgy/Vgmax) \times 570 + 240$
K1	Max allowed current (mA)	1800
K2	Max allowed current (mA)	920

Controls Circuit Diagram
 – Nomenclature
 – Description

Electric Proportional Control with Pressure Compensator OverRide (PCOR)
Options K1KA, K2KA (continued)
Proportional solenoid data C1 (Proportional control)

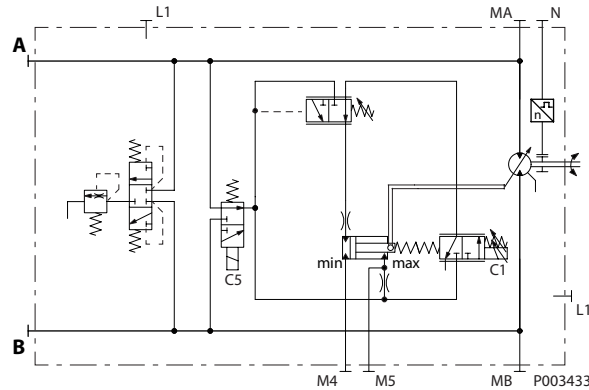
Description	Voltage	
	12 V	24 V
Maximum current	1800 mA	920 mA
Nominal coil resistance @ 20 °C [68 °F]	3.66 Ω	14.20 Ω
Nominal coil resistance @ 80 °C [176 °F]	4.52 Ω	17.52 Ω
PWM Range	70-200 Hz	
PWM Frequency (preferred)*	100 Hz	
Inductance	33 mH	140 mH
IP Rating (IEC 60 529)	IP 67	
IP Rating (DIN 40 050) with mating connector	IP 69K	

* PWM signal required for optimum control performance.

Controls Circuit Diagram
 – Nomenclature
 – Description

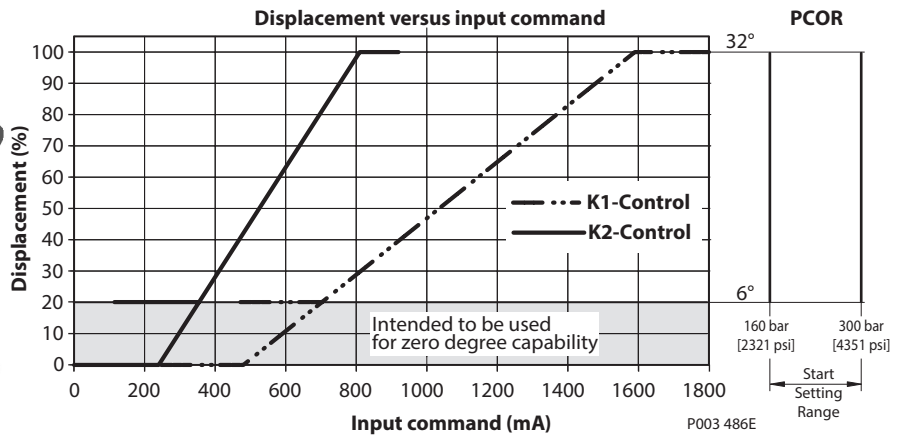
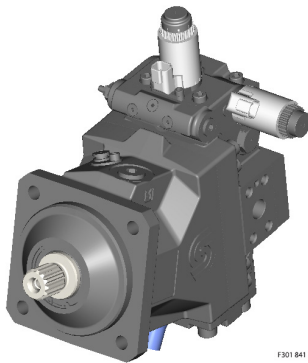
Electric Proportional Control with Pressure Compensator OverRide (PCOR) and Electric Brake Pressure Defeat (BPD)
Options K1K1, K2K2

- K1** (Electric Proportional 12 V / **de-energized = min. displacement**)
- K1** (with Pressure Compensator Over Ride / with Electric 12V Brake Pressure Defeat de-energized BPD = PCOR active at Port A)
- K2** (Electric Proportional 24 V / **de-energized = min. displacement**)
- K2** (with Pressure Compensator Over Ride / with Electric 24V Brake Pressure Defeat de-energized BPD = PCOR active at Port A)



- Ports:
- A, B = Main pressure lines
 - L1, L2 = Drain lines
 - M4, M5 = Gauge port servo pressure
 - N = Speed sensor (optional)
 - MA, MB = Gauge port system pressure

Solenoid C1
 De-energized = minimum displacement
 Full-energized = maximum displacement



Below are formulas to calculate start and end input command dependent on displacements:

Control type		All sizes
K1	Start input command (mA) from 0 % displacement	480 ± 10
K1	Start input command (mA) from x % max displacement	$(Vgx/Vgmax) \times 1110 + 480$
K1	End input command (mA) at 100 % displacement	1590 ± 130
K1	End input command (mA) at y % max displacement	$(Vgy/Vgmax) \times 1110 + 480$
K2	Start input command (mA) from 0 % displacement	240 ± 5
K2	Start input command (mA) from x % min displacement	$(Vgx/Vgmax) \times 570 + 240$
K2	End input command (mA) at 100 % displacement	810 ± 67
K2	End input command (mA) at y % max displacement	$(Vgy/Vgmax) \times 570 + 240$
K1	Max allowed current (mA)	1800
K2	Max allowed current (mA)	920

Controls Circuit Diagram
 – Nomenclature
 – Description

Electric Proportional Control with Pressure Compensator OverRide (PCOR) and Electric Brake Pressure Defeat (BPD) Options K1K1, K2K2 (continued)
Proportional solenoid data C1 (Proportional control)

Description	Voltage	
	12 V	24 V
Maximum current	1800 mA	920 mA
Nominal coil resistance @ 20 °C [68 °F]	3.66 Ω	14.20 Ω
Nominal coil resistance @ 80 °C [176 °F]	4.52 Ω	17.52 Ω
PWM Range	70-200 Hz	
PWM Frequency (preferred)*	100 Hz	
Inductance	33 mH	140 mH
IP Rating (IEC 60 529)	IP 67	
IP Rating (DIN 40 050) with mating connector	IP 69K	

Two-position solenoid data C5 (Brake pressure defeat)

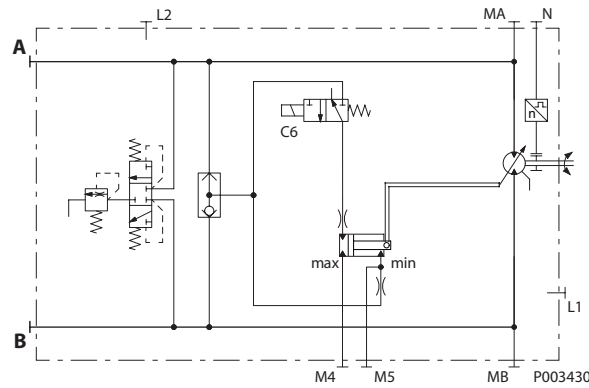
Min. supply voltage	9.5 Vdc	19.0 Vdc
Max. supply voltage (continuous)	14.6 Vdc	29.0 Vdc
Nominal coil resistance @ 20 °C [68 °F]	8.4 Ω	34.5 Ω
Recommended input current	1050 mA	500 mA
IP Rating (IEC 60 529)	IP 67	
IP Rating (DIN 40 050) with mating connector	IP 69K	

* PWM signal required for optimum control performance.

Controls Circuit Diagram
 – Nomenclature
 – Description

Electric Two-Position Control
Options E1AA, E2AA

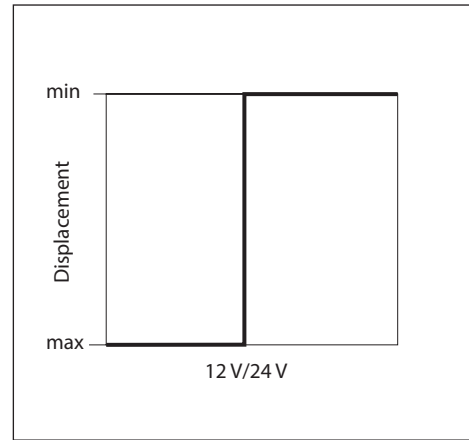
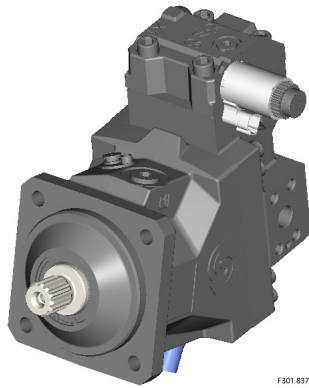
- E1** (Electric Two-Position Control 12 V / **de-energized = max. displacement**)
- AA** (without Pressure Compensator Over Ride / without Brake Pressure Defeat)
- E2** (Electric Two-Position Control 24 V / **de-energized = max. displacement**)
- AA** (without Pressure Compensator Over Ride / without Brake Pressure Defeat)



- Ports:
- A, B = Main pressure lines
 - L1, L2 = Drain lines
 - M4, M5 = Gauge port servo pressure
 - N = Speed sensor (optional)
 - MA, MB = Gauge port system pressure

Solenoid C6

- De-energized = maximum displacement
- Energized = minimum displacement



P003 408

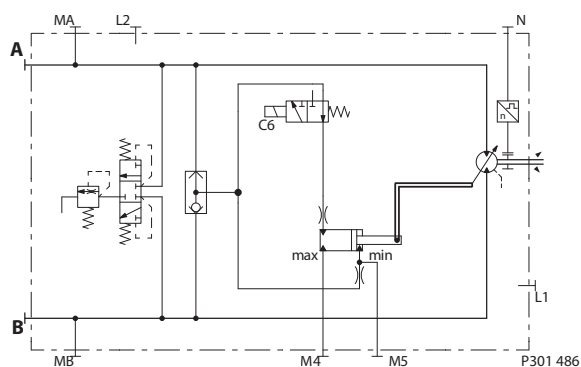
Two-position solenoid data C6

Description	Voltage	
	12 V	24 V
Min. supply voltage	9.5 Vdc	19.0 Vdc
Max. supply voltage (continuous)	14.6 Vdc	29.0 Vdc
Nominal coil resistance @ 20 °C [68 °F]	8.4 Ω	34.5 Ω
Recommended input current	1050 mA	500 mA
IP Rating (IEC 60 529)	IP 67	
IP Rating (DIN 40 050) with mating connector	IP 69K	

Controls Circuit Diagram
 – Nomenclature
 – Description

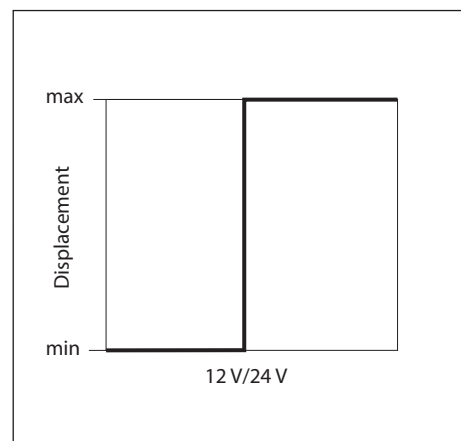
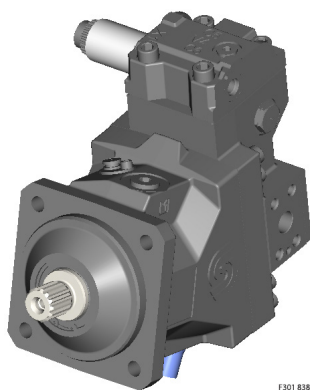
Electric Two-Position Control
Options F1EA, F2EA

- F1** (Electric Two-Position Control 12 V/**de-energized = min. displacement**)
- EA** (without Pressure Compensator Over Ride / without Brake Pressure Defeat)
- F2** (Electric Two-Position Control 24 V/**de-energized = min. displacement**)
- EA** (without Pressure Compensator Over Ride / without Brake Pressure Defeat)



- Ports:
- A, B = Main pressure lines
 - L1, L2 = Drain lines
 - M4, M5 = Gauge port servo pressure
 - N = Speed sensor (optional)
 - MA, MB = Gauge port system pressure

Solenoid C6
 De-energized = minimum displacement
 Energized = maximum displacement



P301 464

Two-position solenoid data C6

Description	Voltage	
	12 V	24 V
Min. supply voltage	9.5 Vdc	19.0 Vdc
Max. supply voltage (continuous)	14.6 Vdc	29.0 Vdc
Nominal coil resistance @ 20 °C [68 °F]	8.4 Ω	34.5 Ω
Recommended input current	1050 mA	500 mA
IP Rating (IEC 60 529)	IP 67	
IP Rating (DIN 40 050) with mating connector	IP 69K	

Controls Circuit Diagram
 – Nomenclature
 – Description

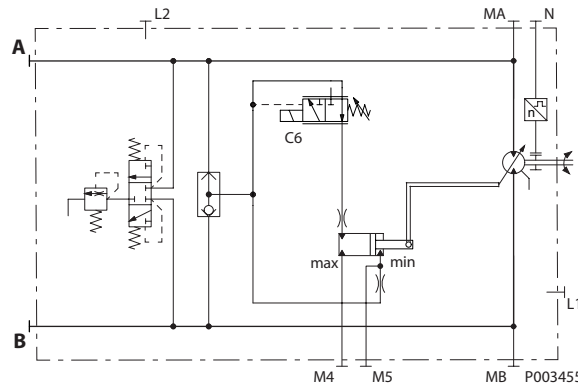
Electric Two-Position Control with Pressure Compensator OverRide (PCOR)
 Options T1DA, T2DA

T1 (Electric Two-Position Control 12 V / **de-energized = min. displacement**)
DA (with Pressure Compensator Over Ride / without Brake Pressure Defeat)

T2 (Electric Two-Position Control 24 V / **de-energized = min. displacement**)
DA (with Pressure Compensator Over Ride / without Brake Pressure Defeat)

Caution

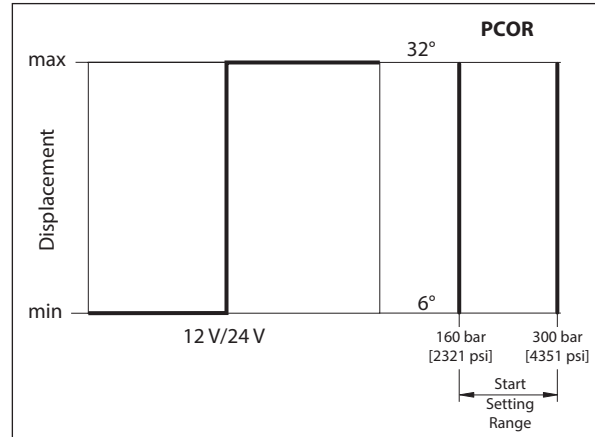
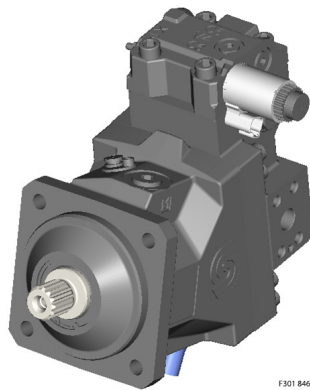
This control is not for use in Propel Applications.



- Ports:
- A, B = Main pressure lines
 - L1, L2 = Drain lines
 - M4, M5 = Gauge port servo pressure
 - N = Speed sensor (optional)
 - MA, MB = Gauge port system pressure

Solenoid C6

De-energized = minimum displacement
 Energized = maximum displacement



P003 409E

Two-position solenoid data C6

Description	Voltage	
	12 V	24 V
Min. supply voltage	9.5 Vdc	19.0 Vdc
Max. supply voltage (continuous)	14.6 Vdc	29.0 Vdc
Nominal coil resistance @ 20 °C [68 °F]	8.4 Ω	34.5 Ω
Recommended input current	1050 mA	500 mA
IP Rating (IEC 60 529)	IP 67	
IP Rating (DIN 40 050) with mating connector	IP 69K	

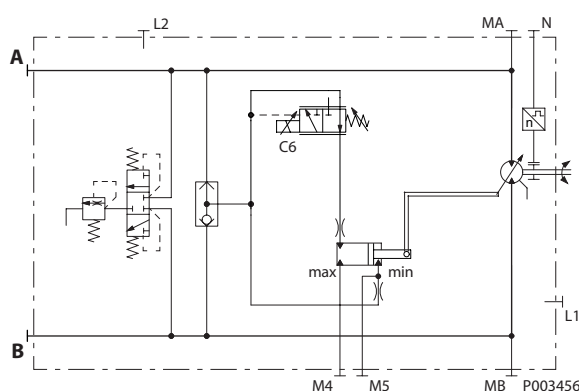
Controls Circuit Diagram
 – Nomenclature
 – Description

Electric Two-Position Control with Electric Proportional Pressure Compensator OverRide (PPCOR) Options P1DA, P2DA

- P1** (Electric Two-Position Control 12 V / **de-energized = min. displacement**)
- DA** (with Electric 12V Proportional Pressure Compensator Over Ride /without Brake Pressure Defeat)
- P2** (Electric Two-Position Control 24 V / **de-energized = min. displacement**)
- DA** (with Electric 24V Proportional Pressure Compensator Over Ride / without Brake Pressure Defeat)

Caution

This control is not for use in Propel Applications.



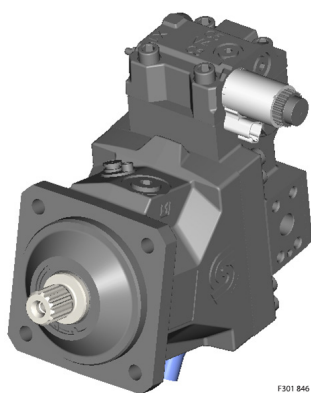
- Ports:
- A, B = Main pressure lines
 - L1, L2 = Drain lines
 - M4, M5 = Gauge port servo pressure
 - N = Speed sensor (optional)
 - MA, MB = Gauge port system pressure

Solenoid C6

- De-energized = minimum displacement
- Energized = maximum displacement

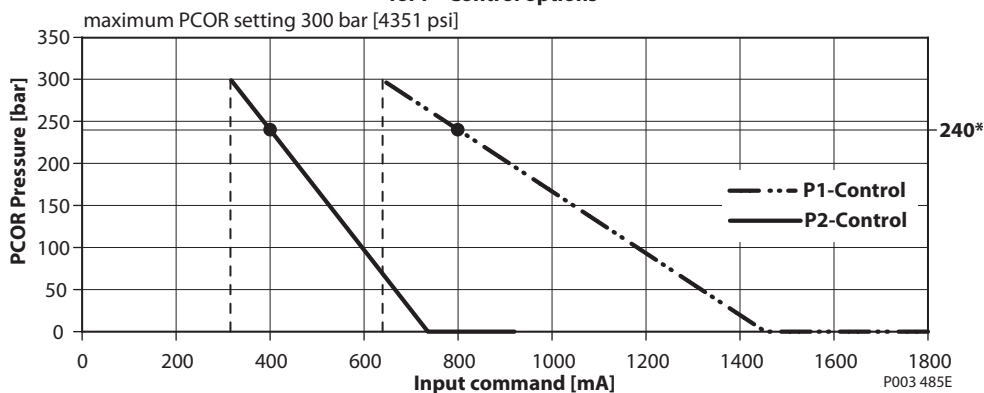
Caution

If the signal to the PPCOR is lost or drops below the range shown in the chart below, the PCOR setting will potentially increase to pressure levels above the recommended application limits or the regulated pressure control of the pump, and in effect, disable the PCOR function.



F301 846

PCOR Pressure versus input command for P* Control options



*) Production test setting

P003 485E

**Controls Circuit Diagram
– Nomenclature
– Description**
**Electric Two-Position
Control with Electric
Proportional Pressure
Compensator OverRide
(PPCOR)
Options P1DA, P2DA
(continued)**

The PCOR pressure level can be proportionally changed with the input current to the solenoid. The pressure level versus input current can be calculated by the formula below:

$$12 \text{ V: } I_{PCOR} = -2.724 \times P_{PCOR} + 1453.8$$

$$24 \text{ V: } I_{PCOR} = -1.399 \times P_{PCOR} + 735.7$$

P_{PCOR} = PCOR pressure level [bar]

I_{PCOR} = Current input to proportional PCOR solenoid [mA]

Proportional solenoid data C6 (Proportional PCOR)

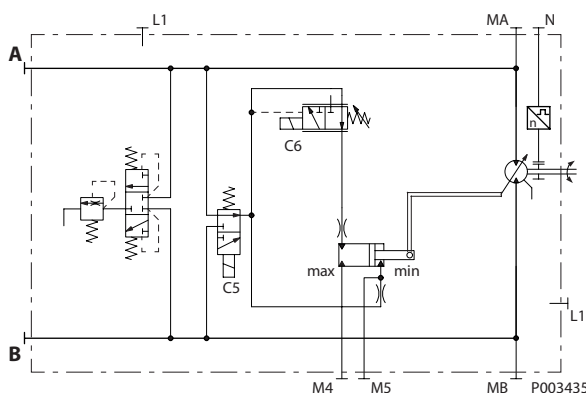
Description	Voltage	
	12 V	24 V
Maximum current	1800 mA	920 mA
Nominal coil resistance @ 20 °C [68 °F]	3.66 Ω	14.20 Ω
Nominal coil resistance @ 80 °C [176 °F]	4.52 Ω	17.52 Ω
PWM Range	70-200 Hz	
PWM Frequency (preferred)*	100 Hz	
Inductance	33 mH	140 mH
IP Rating (IEC 60 529)	IP 67	
IP Rating (DIN 40 050) with mating connector	IP 69K	

* PWM signal required for optimum control performance.

Controls Circuit Diagram
 – Nomenclature
 – Description

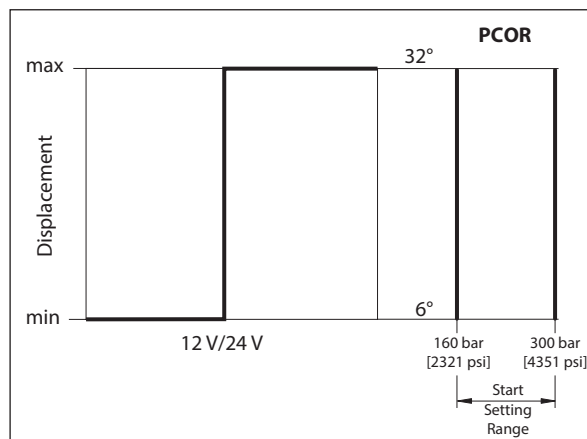
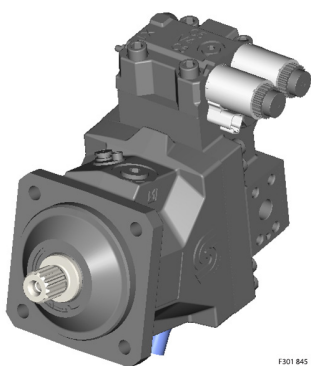
Electric Two-Position Control with Pressure Compensator OverRide (PCOR) and Electric Brake Pressure Defeat (BPD) Options T1D1, T2D2

- T1** (Electric Two-Position Control 12 V / **de-energized = min. displacement**)
- D1** (with Pressure Compensator Over Ride / with Electric 12V Brake Pressure Defeat de-energized BPD = PCOR active at port A)
- T2** (Electric Two-Position Control 24 V / **de-energized = min. displacement**)
- D2** (with Pressure Compensator Over Ride / with Electric 24V Brake Pressure Defeat de-energized BPD = PCOR active at port A)



- Ports:
- A, B = Main pressure lines
 - L1, L2 = Drain lines
 - M4, M5 = Gauge port servo pressure
 - N = Speed sensor (optional)
 - MA, MB = Gauge port system pressure

Solenoid C6
 De-energized = minimum displacement
 Energized = maximum displacement



P003 409E

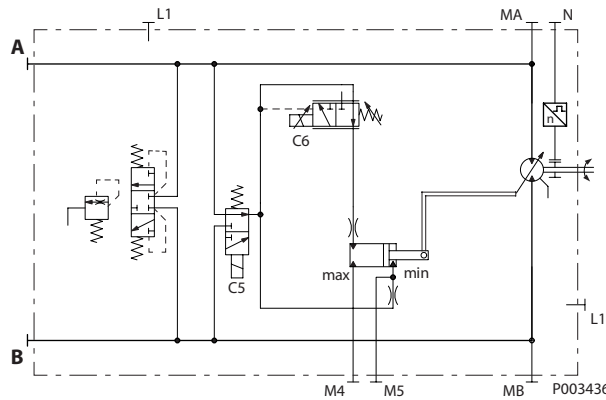
Solenoid data C5 (BPD) and C6 (Two-position control)

Description	Voltage	
	12 V	24 V
Min. supply voltage	9.5 Vdc	19.0 Vdc
Max. supply voltage (continuous)	14.6 Vdc	29.0 Vdc
Nominal coil resistance @ 20 °C [68 °F]	8.4 Ω	34.5 Ω
Recommended input current	1050 mA	500 mA
IP Rating (IEC 60 529)	IP 67	
IP Rating (DIN 40 050) with mating connector	IP 69K	

Controls Circuit Diagram
 – Nomenclature
 – Description

Electric Two-Position Control with Electric Proportional Pressure Compensator OverRide (PPCOR) and Electric Brake Pressure Defeat (BPD) Options P1D1, P2D2

- P1** (Electric Two-Position Control 12 V / **de-energized = min. displacement**)
- D1** (with Electric 12V Proportional Pressure Compensator Over Ride / with Electric 12V Brake Pressure Defeat, de-energized BPD = PCOR active at port A)
- P2** (Electric Two-Position Control 24 V / **de-energized = min. displacement**)
- D2** (with Electric 24V Proportional Pressure Compensator Over Ride / with Electric 24V Brake Pressure Defeat, de-energized BPD = PCOR active at port A)

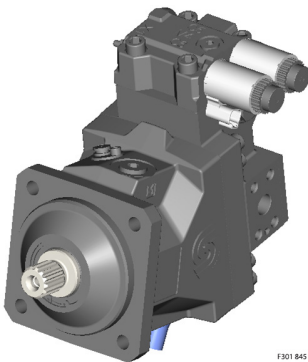


- Ports:
- A, B = Main pressure lines
 - L1, L2 = Drain lines
 - M4, M5 = Gauge port servo pressure
 - N = Speed sensor (optional)
 - MA, MB = Gauge port system pressure

Solenoid C6
 De-energized = minimum displacement
 Energized = maximum displacement

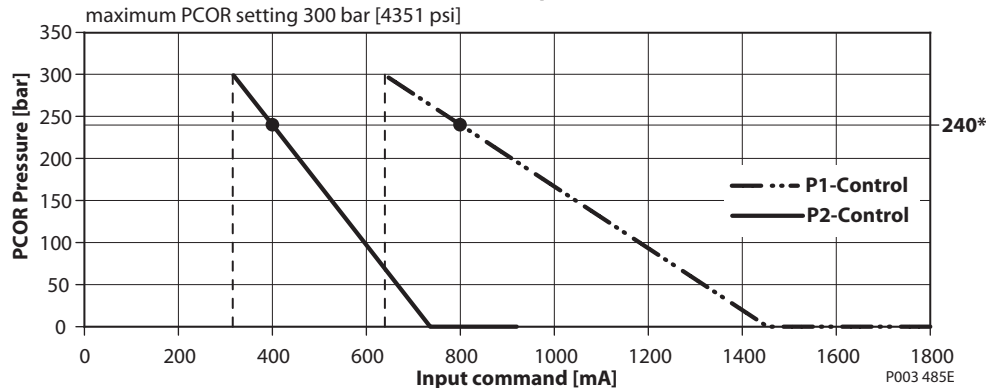
⚠ Caution

If the signal to the PPCOR is lost or drops below the range shown in the chart below, the PCOR setting will potentially increase to pressure levels above the recommended application limits or the regulated pressure control of the pump, and in effect, disable the PCOR function.



F301 845

PCOR Pressure versus input command for P* Control options



*) Production test setting

P003 485E

**Controls Circuit Diagram
– Nomenclature
– Description**
**Electric Two-Position
Control with Electric
Proportional Pressure
Compensator OverRide
(PPCOR) and Electric Brake
Pressure Defeat (BPD)
Options P1D1, P2D2
(continued)**

The PCOR pressure level can be proportionally changed with the input current to the solenoid. The pressure level versus input current can be calculated by the formula below:

$$12 \text{ V: } I_{PCOR} = -2.724 \times P_{PCOR} + 1453.8$$

$$24 \text{ V: } I_{PCOR} = -1.399 \times P_{PCOR} + 735.7$$

P_{PCOR} = PCOR pressure level [bar]
 I_{PCOR} = Current input to proportional PCOR solenoid [mA]

Proportional solenoid data C6 (PPCOR)

Description	Voltage	
	12 V	24 V
Maximum current	1800 mA	920 mA
Nominal coil resistance @ 20 °C [68 °F]	3.66 Ω	14.20 Ω
Nominal coil resistance @ 80 °C [176 °F]	4.52 Ω	17.52 Ω
PWM Range	70-200 Hz	
PWM Frequency (preferred)*	100 Hz	
Inductance	33 mH	140 mH
IP Rating (IEC 60 529)	IP 67	
IP Rating (DIN 40 050) with mating connector	IP 69K	

Two-position solenoid data C5 (BPD)

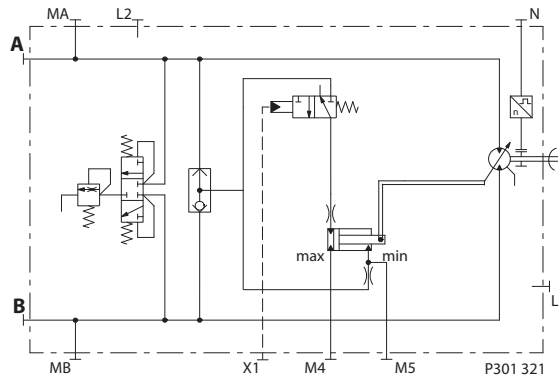
Min. supply voltage	9.5 Vdc	19.0 Vdc
Max. supply voltage (continuous)	14.6 Vdc	29.0 Vdc
Nominal coil resistance @ 20 °C [68 °F]	8.4 Ω	34.5 Ω
Recommended input current	1050 mA	500 mA
IP Rating (IEC 60 529)	IP 67	
IP Rating (DIN 40 050) with mating connector	IP 69K	

* PWM signal required for optimum control performance.

Controls Circuit Diagram
 – Nomenclature
 – Description

Hydraulic Two-Position Control
Option HEHE

- HE** (Hydraulic Two-Position Control / **default (without control pressure) = max. disp.** / external control pressure supply)
- HE** (without Pressure Compensator Over Ride / without Brake Pressure Defeat internal servo pressure supply)

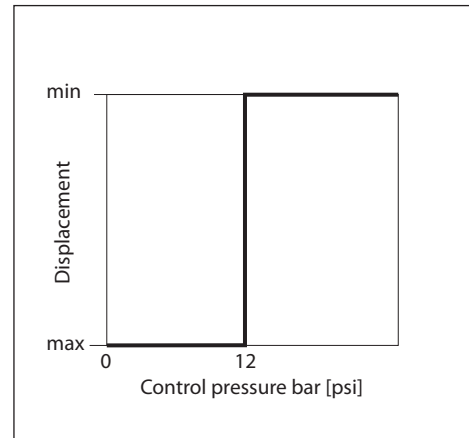
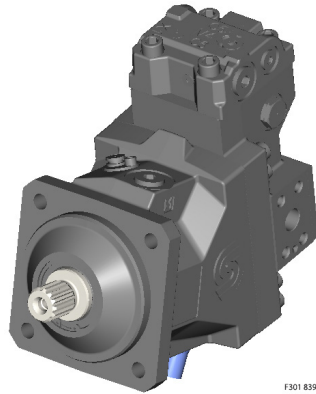


- Ports:
- A, B = Main pressure lines
 - L1, L2 = Drain lines
 - M4, M5 = Gauge port servo pressure
 - N = Speed sensor (optional)
 - MA, MB = Gauge port system pressure

Control Pressure X1

- Without control pressure on Port X1 = maximum displacement
- With control pressure on Port X1 = minimum displacement

Control pressure: > 12 bar [174 psi] to ensure minimum displacement (above case pressure)
 Control pressure: < 0.9 bar [13 psi] to ensure maximum displacement (above case pressure)
 Maximum control pressure: 100 bar [1450 psi]

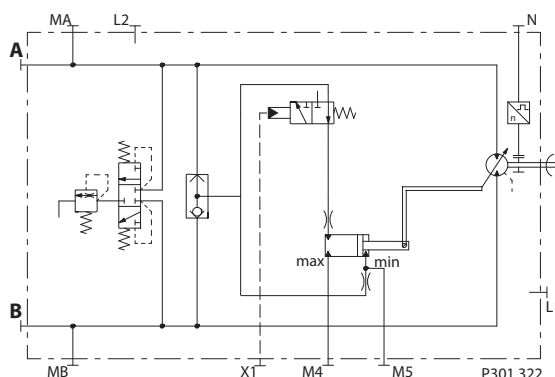


P301 331

Controls Circuit Diagram
 – Nomenclature
 – Description

Hydraulic Two-Position Control
Option HFHF

HF (Hydraulic Two-Position Control / **default (without control pressure) = min. disp.** / external control pressure supply)
HF (without Pressure Compensator Over Ride / without Brake Pressure Defeat internal servo pressure supply)

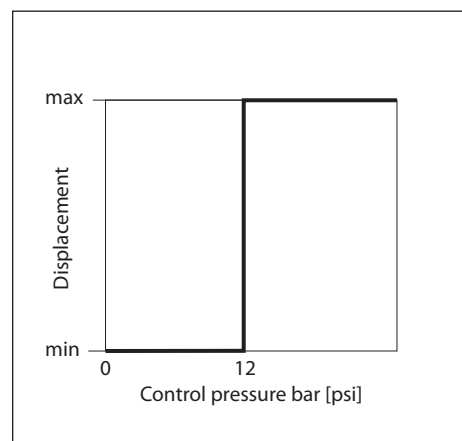
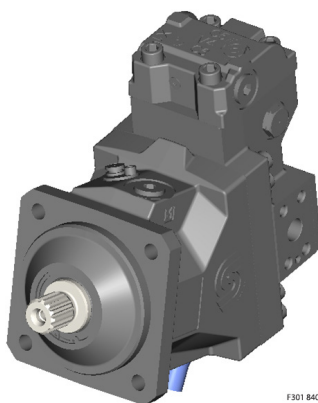


Ports:
 A, B = Main pressure lines
 L1, L2 = Drain lines
 M4, M5 = Gauge port servo pressure
 N = Speed sensor (optional)
 MA, MB = Gauge port system pressure

Control Pressure X1

Without control pressure on Port X1 = minimum displacement
 With control pressure on Port X1 = maximum displacement

Control pressure: > 12 bar [174 psi] to ensure maximum displacement (above case pressure)
 Control pressure: < 0.9 bar [13 psi] to ensure minimum displacement (above case pressure) Maximum control pressure: 100 bar [1450 psi]



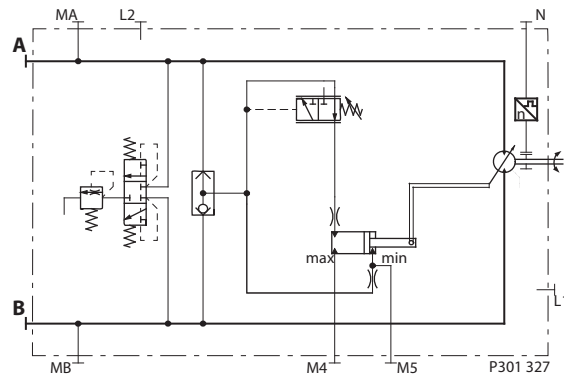
P301 332

Controls Circuit Diagram
 – Nomenclature
 – Description

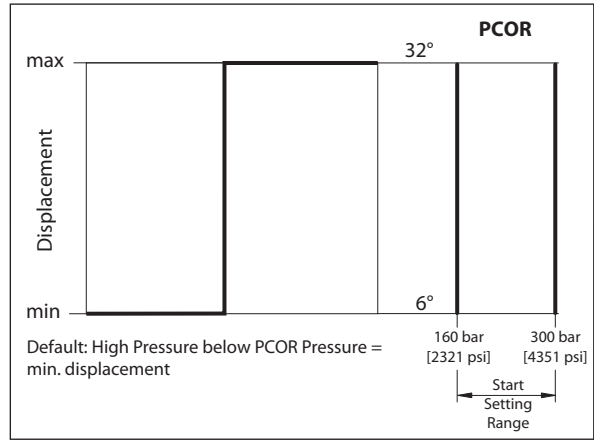
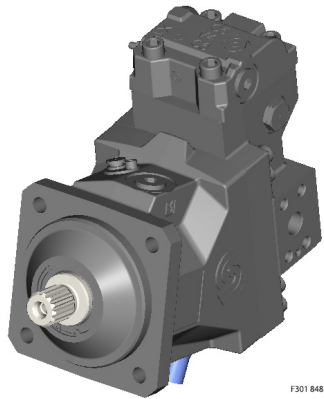
Pressure Compensator OverRide (PCOR) Option TADA

- TA** (Pressure Compensator Over Ride / **default (high pressure below PCOR pressure) = min. displacement**)
- DA** (with Pressure Compensator Over Ride / without Brake Pressure Defeat)

⚠ Caution
 This control is not for use in Propel Applications.



- Ports:
- A, B = Main pressure lines
 - L1, L2 = Drain lines
 - M4, M5 = Gauge port servo pressure
 - N = Speed sensor (optional)
 - MA, MB = Gauge port system pressure

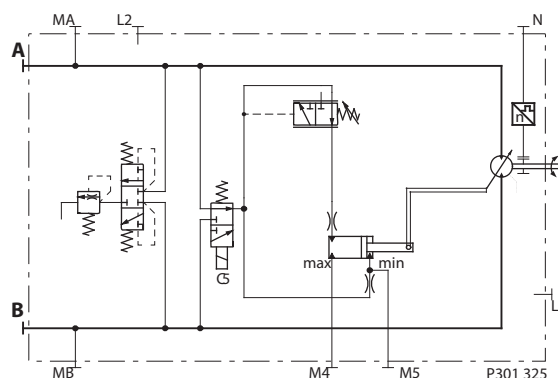


P301 329E

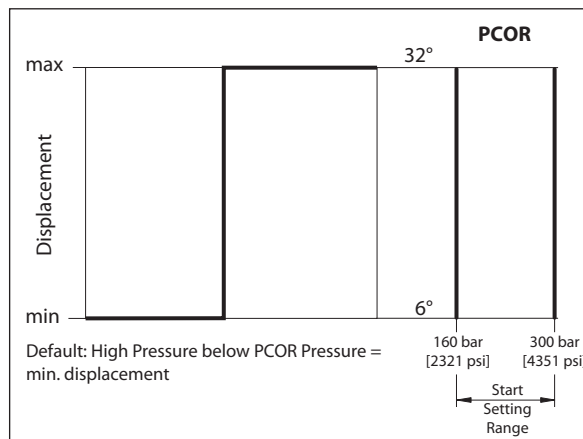
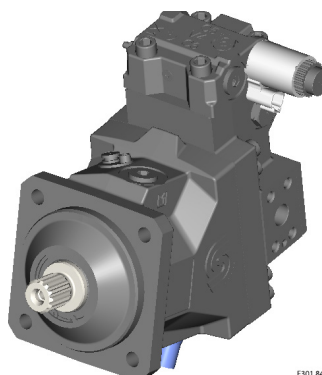
Controls Circuit Diagram
 – Nomenclature
 – Description

Pressure Compensator OverRide (PCOR) and Electric Brake Pressure Defeat (BPD) Option TAD1, TAD2

- TA** (Pressure Compensator Over Ride / **default (high pressure below PCOR pressure) = min. displacement**)
- D1** (with Pressure Compensator Over Ride / with Electric 12V Brake Pressure Defeat)
- TA** (Pressure Compensator Over Ride / **default (high pressure below PCOR pressure) = min. displacement**)
- D2** (with Pressure Compensator Over Ride / with Electric 24V Brake Pressure Defeat)



- Ports:
- A, B = Main pressure lines
 - L1, L2 = Drain lines
 - M4, M5 = Gauge port servo pressure
 - N = Speed sensor (optional)
 - MA, MB = Gauge port system pressure



P301 329E

Two-position solenoid data C5 (Brake pressure defeat)

Min. supply voltage	9.5 Vdc	19.0 Vdc
Max. supply voltage (continuous)	14.6 Vdc	29.0 Vdc
Nominal coil resistance @ 20 °C [68 °F]	8.4 Ω	34.5 Ω
Recommended input current	1050 mA	500 mA
IP Rating (IEC 60 529)	IP 67	
IP Rating (DIN 40 050) with mating connector	IP 69K	

* PWM signal required for optimum control performance.

Control Response

H1 controls are available with orifices to assist in matching the rate of stroking time from maximum displacement (100 %) to minimum displacement (20 %) and vice versa to application requirements. Stroking times for other pressure levels could be calculated at simulation model of request.

Typical response times shown below at the following conditions:

Differential pressure:	210 bar	[3046 psi]
Viscosity and temperature:	20 mm/s ² (60 °C)	[97 SUS (140 F°)]
Charge pressure:	20 bar	[290 psi]
Motor speed:	1.500 min ⁻¹ (rpm)	

Stroking direction	Orifice	Size				
		060	080	110	160	250
Maximum to minimum	0.6 mm [0.02 in]	0.84 s	0.97 s	1.25 s	1.64 s	1.74 s
Minimum to maximum		0.65 s	1.16 s	1.52 s	1.91 s	2.27 s
Maximum to minimum	0.8 mm [0.03 in]	0.53 s	0.56 s	0.73 s	1.05 s	1.12 s
Minimum to maximum		0.46 s	0.67 s	0.84 s	1.15 s	1.27 s
Maximum to minimum	1.2 mm [0.05 in]	0.31 s	0.40 s	0.41 s	0.58 s	0.55 s
Minimum to maximum		0.32 s	0.31 s	0.37 s	0.58 s	0.56 s

Notes

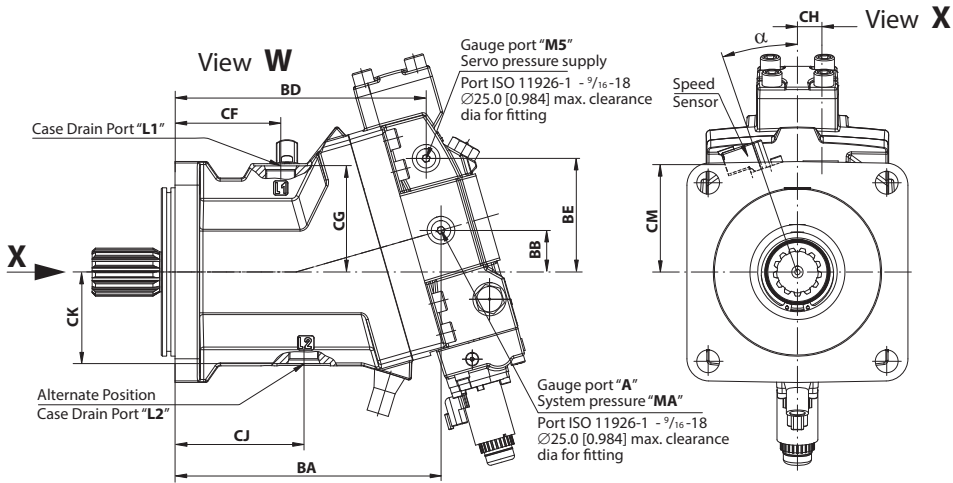
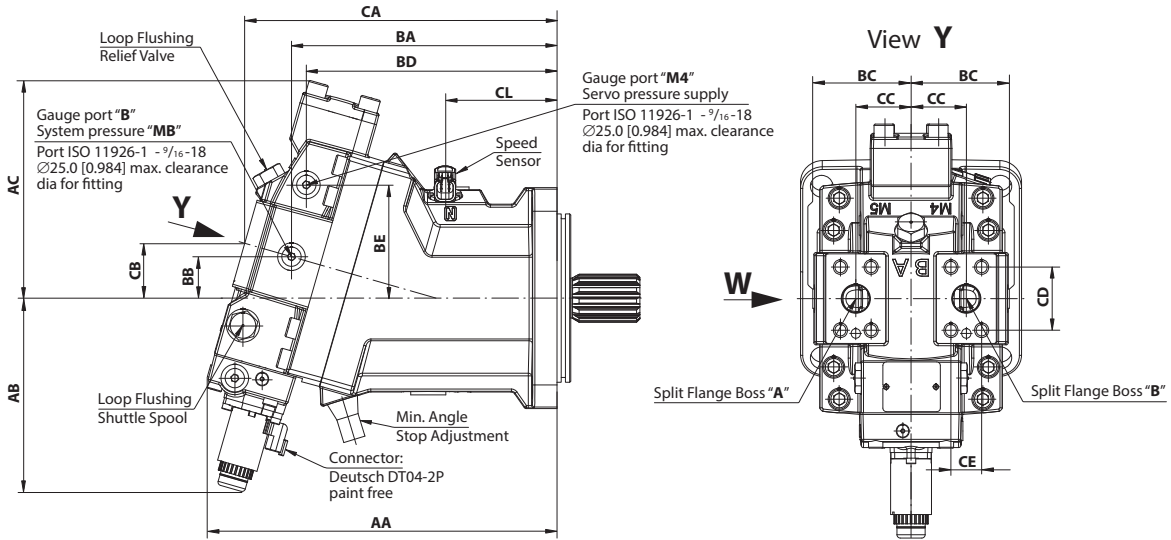
Technical Information H1 Bent Axis Variable Displacement Motors

General Dimensions

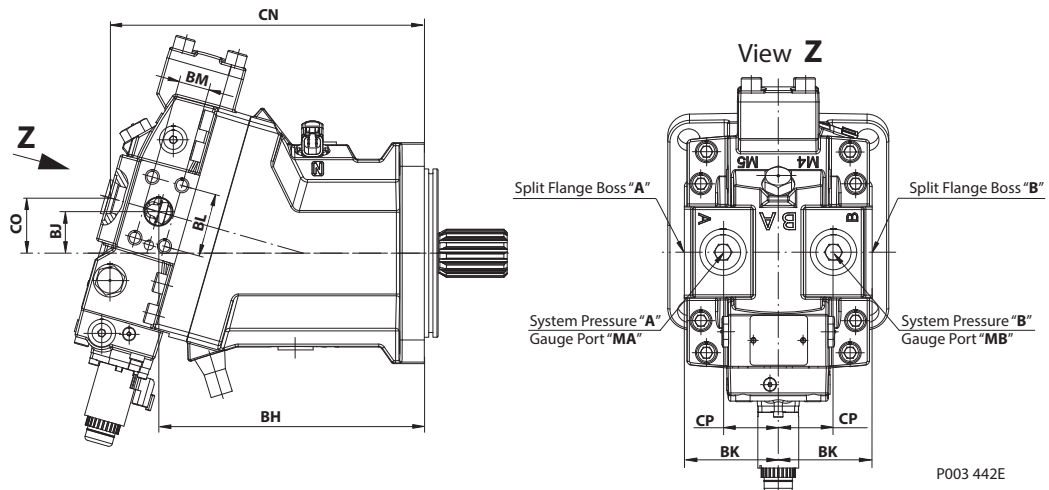
SAE Flange Design, Proportional Control, Option L*

Axial Ports

mm
[in]



Radial Ports



P003 442E

General Dimensions
**SAE Flange Design,
Proportional Control,
Option L***
Dimensions mm [in]

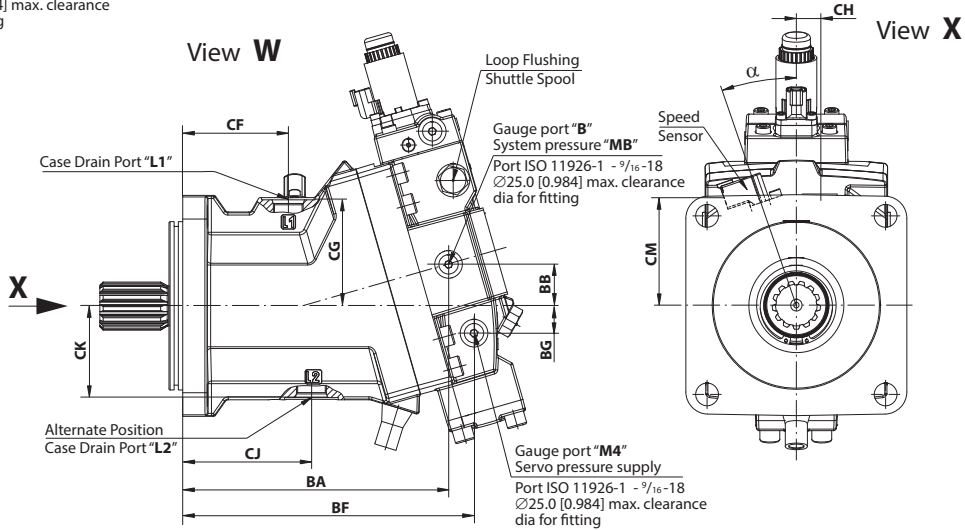
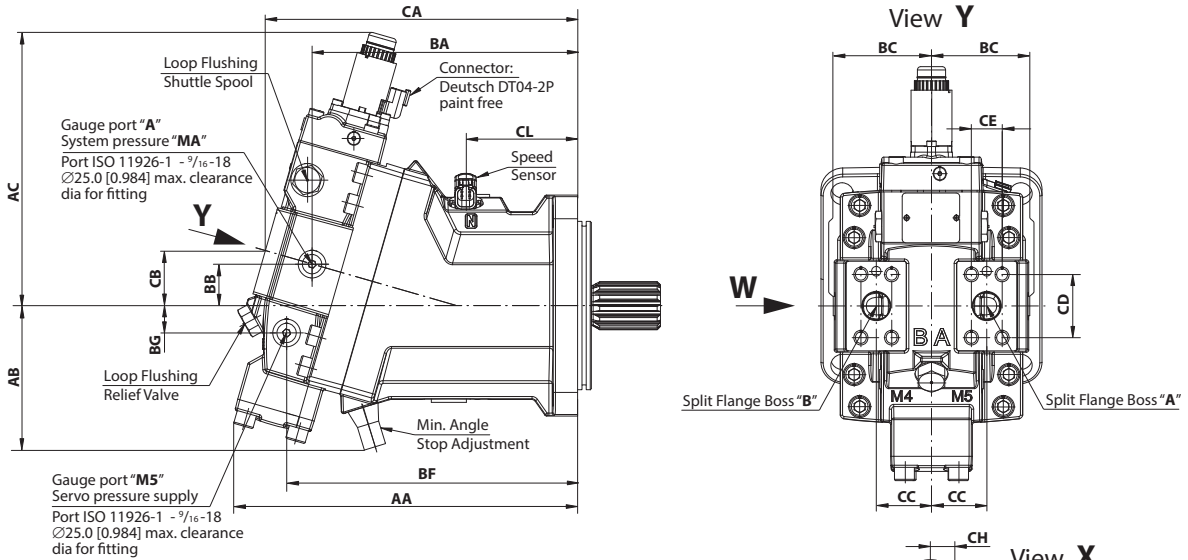
Frame size	060	080	110	160	250
<i>Axial and radial ports</i>					
AA	272.3 [10.72]	289.9 [11.41]	316.4 [12.46]	343.6 [13.53]	387.0 [15.24]
AB	164.7 [6.48]	170.6 [6.72]	175.0 [6.89]	183.8 [7.24]	197.0 [7.76]
AC	167.5 [6.59]	179.9 [7.08]	196.9 [7.75]	219.7 [8.65]	239.0 [9.41]
BA	204.8 [8.06]	218.8 [8.61]	240.3 [9.46]	263.9 [10.39]	302.0 [11.89]
BB	32.3 [1.27]	34.7 [1.37]	37.5 [1.49]	42.0 [1.65]	48.0 [1.89]
BC	74.4 [2.93]	78.4 [3.09]	88.9 [3.50]	99.9 [3.93]	108.0 [4.25]
BD	191.0 [7.52]	203.9 [8.03]	226.9 [8.93]	247.9 [9.76]	284.0 [11.18]
BE	84.0 [3.30]	92.4 [3.64]	102.5 [4.04]	115.4 [4.54]	127.0 [5.00]
CA	243.7 [9.59]	258.7 [10.19]	282.6 [11.13]	306.9 [12.08]	345.0 [13.58]
CB	43.4 [1.71]	46.2 [1.82]	49.6 [1.95]	54.4 [2.14]	60.0 [2.36]
CC	48.0 [1.89]	50.0 [1.97]	50.0 [1.97]	60.0 [2.36]	65.0 [2.56]
CD	50.8 [2.00]	57.2 [2.25]	57.2 [2.25]	66.6 [2.62]	66.6 [2.62]
CE	23.8 [0.94]	27.8 [1.09]	27.8 [1.09]	31.8 [1.25]	31.8 [1.25]
CF	69.5 [2.74]	67.7 [2.67]	95.5 [3.76]	86.4 [3.40]	107.0 [4.21]
CG	85.8 [3.38]	90.0 [3.54]	96.0 [3.78]	102.2 [4.02]	112.0 [4.41]
CH	18.0 [0.71]	17.0 [0.67]	21.0 [0.83]	23.0 [0.91]	25.0 [0.98]
CJ	92.5 [3.64]	104.0 [4.09]	119.5 [4.70]	122.8 [4.83]	141.5 [5.57]
CK	70.0 [2.76]	75.0 [2.95]	83.0 [3.27]	96.5 [3.80]	107.5 [4.23]
CL	83.4 [3.28]	89.3 [3.52]	101.3 [3.99]	107.7 [4.24]	124.0 [4.88]
CM	89.3 [3.52]	93.7 [3.69]	97.2 [3.83]	105.6 [4.16]	130.0 [5.12]
α	17°	17°	19°	17°	17°
Case drain port "L1"/"L2"	Port ISO 11926-1 7/8-14 Ø42.0 [1.65] max. clearance DIA for fitting	Port ISO 11926-1 7/8-14 Ø42.0 [1.65] max. clearance DIA for fitting	Port ISO 11926-1 1 1/16-12 Ø48.5 [1.91] max. clearance DIA for fitting	Port ISO 11926-1 1 1/16-12 Ø48.5 [1.91] max. clearance DIA for fitting	Port ISO 11926-1 1 5/16-12 Ø50.1 [1.97] max. clearance DIA for fitting
Split flange boss "A"/"B"	DN 19 typ I 40MPa series per ISO 6162 thread: M10x1.5 18.0 [0.71] full thread depth	DN 25 typ I 40MPa series per ISO 6162 thread: M12x1.75 23.0 [0.91] full thread depth	DN 25 typ I 40MPa series per ISO 6162 thread: M12x1.75 23.0 [0.91] full thread depth	DN 32 typ I 40MPa series per ISO 6162 thread: M12x1.75 23.0 [0.91] full thread depth	DN 32 typ I 40MPa series per ISO 6162 thread: M12x1.75 23.0 [0.91] full thread depth
<i>Radial ports</i>					
BH	204.8 [8.06]	218.8 [8.61]	240.3 [9.46]	263.9 [10.39]	302.0 [11.89]
BJ	32.3 [1.27]	34.7 [1.37]	37.5 [1.48]	42.0 [1.65]	48.0 [1.89]
BK	69.5 [2.74]	75.2 [2.96]	85.0 [3.35]	96.0 [3.78]	108.0 [4.25]
BL	50.8 [2.00]	57.2 [2.25]	57.2 [2.25]	66.6 [2.62]	66.6 [2.62]
BM	23.8 [0.94]	27.8 [1.09]	27.8 [1.09]	31.8 [1.25]	31.8 [1.25]
CN	244.8 [9.64]	258.7 [10.19]	283.6 [11.17]	307.9 [12.12]	346.0 [12.83]
CO	43.7 [1.72]	46.2 [1.82]	49.9 [1.96]	54.6 [2.15]	61.0 [2.4]
CP	48.0 [1.89]	50.0 [1.97]	50.0 [1.97]	60.0 [2.36]	65.0 [2.56]
System pressure "A"/"B" Gauge port "MA"/"MB"	Port ISO 11926-1 7/8-12 Ø34.0 [1.34] max. clearance DIA for fitting	Port ISO 11926-1 1 1/16-12 Ø42.0 [1.65] max. clearance DIA for fitting	Port ISO 11926-1 1 1/16-12 Ø42.0 [1.65] max. clearance DIA for fitting	Port ISO 11926-1 1 1/16-12 Ø42.0 [1.65] max. clearance DIA for fitting	Port ISO 11926-1 1 1/16-12 Ø42.0 [1.65] max. clearance DIA for fitting
Split flange boss "A"/"B"	DN 19 typ I 40MPa series per ISO 6162 thread: M10x1.5 18.0 [0.71] full thread depth	DN 25 typ I 40MPa series per ISO 6162 thread: M12x1.75 23.0 [0.91] full thread depth	DN 25 typ I 40MPa series per ISO 6162 thread: M12x1.75 23.0 [0.91] full thread depth	DN 32 typ I 40MPa series per ISO 6162 thread: M12x1.75 23.0 [0.91] full thread depth	DN 32 typ I 40MPa series per ISO 6162 thread: M12x1.75 23.0 [0.91] full thread depth

General Dimensions

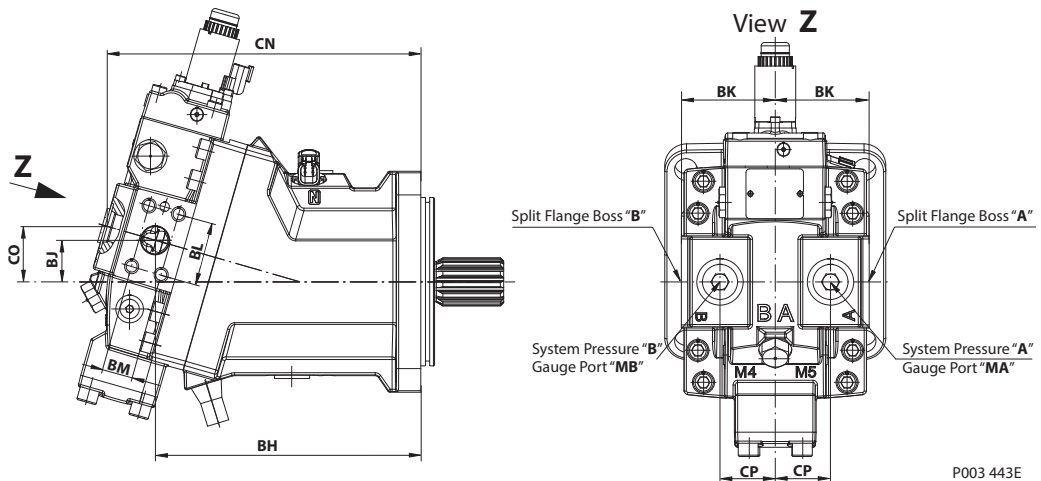
SAE Flange Design, Proportional Control, Option M*

Axial Ports

mm
[in]



Radial Ports



P003 443E

General Dimensions
**SAE Flange Design,
Proportional Control,
Option M***
Dimensions mm [in]

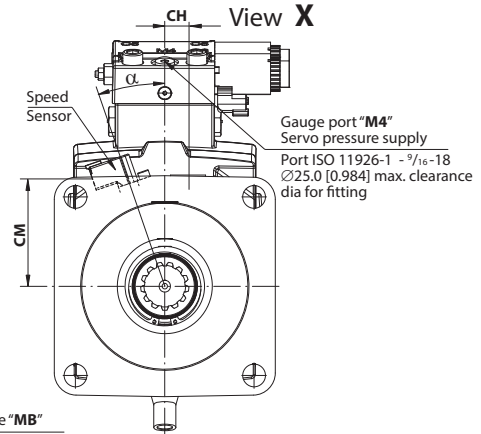
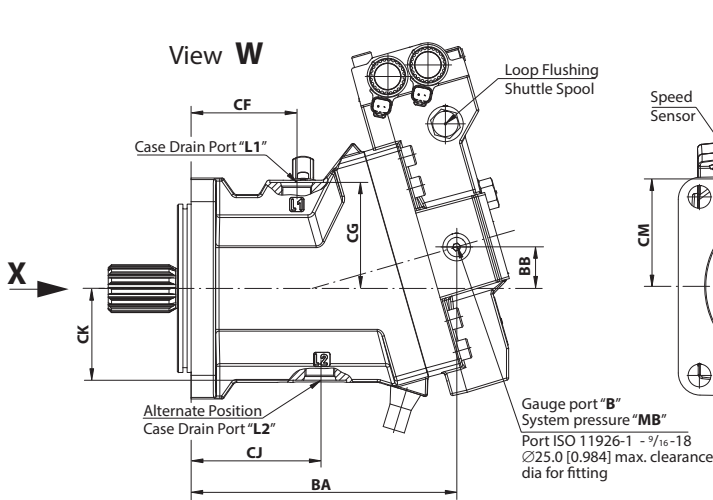
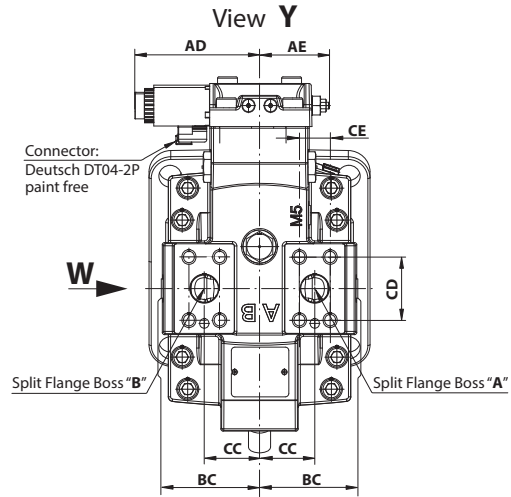
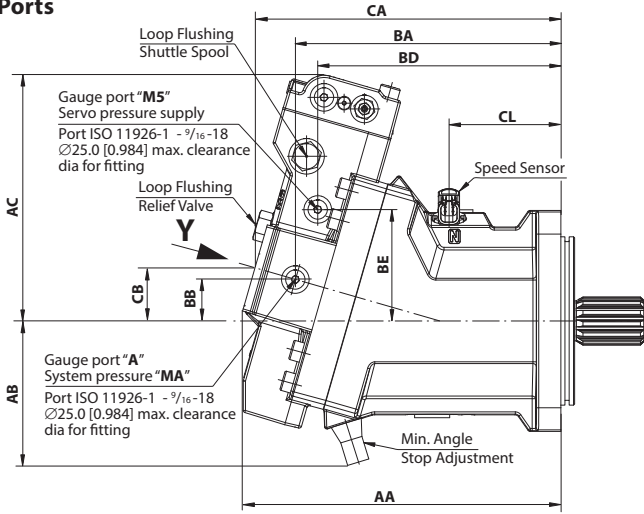
Frame size	060	080	110	160	250
<i>Axial and radial ports</i>					
AA	265.0 [10.43]	283.2 [11.15]	311.0 [12.24]	339.7 [13.37]	381.0 [15.00]
AB	114.7 [4.52]	119.4 [4.70]	130.8 [5.15]	138.2 [5.44]	152.0 [5.98]
AC	224.2 [8.83]	235.7 [9.28]	247.2 [9.73]	265.0 [10.43]	290.0 [11.42]
BA	204.8 [8.06]	218.8 [8.61]	240.3 [9.46]	263.9 [10.39]	302.0 [11.89]
BB	32.3 [1.27]	34.7 [1.37]	37.5 [1.48]	42.0 [1.65]	48.0 [1.89]
BC	74.4 [2.93]	78.4 [3.09]	88.9 [3.50]	99.9 [3.93]	108.0 [4.25]
BF	220.5 [8.68]	236.7 [9.32]	263.4 [10.37]	289.2 [11.39]	329.0 [12.95]
BG	18.9 [0.74]	22.0 [0.87]	24.8 [0.98]	28.6 [1.13]	28.0 [1.1]
CA	243.7 [9.59]	258.7 [10.19]	282.6 [11.13]	306.9 [12.08]	345.0 [13.58]
CB	43.4 [1.71]	46.2 [1.82]	49.6 [1.95]	54.4 [2.14]	60.0 [2.36]
CC	48.0 [1.89]	50.0 [1.97]	50.0 [1.97]	60.0 [2.36]	65.0 [2.56]
CD	50.8 [2.00]	57.2 [2.25]	57.2 [2.25]	66.6 [2.62]	66.6 [2.62]
CE	23.8 [0.94]	27.8 [1.09]	27.8 [1.09]	31.8 [1.25]	31.8 [1.25]
CF	69.5 [2.74]	67.7 [2.67]	95.5 [3.76]	86.4 [3.40]	107.0 [4.21]
CG	85.8 [3.38]	90.0 [3.54]	96.0 [3.78]	102.2 [4.02]	112.0 [4.41]
CH	18.0 [0.71]	17.0 [0.67]	21.0 [0.83]	23.0 [0.91]	25.0 [0.98]
CJ	92.5 [3.64]	104.0 [4.09]	119.5 [4.70]	122.8 [4.83]	141.5 [5.57]
CK	70.0 [2.76]	75.0 [2.95]	83.0 [3.27]	96.5 [3.80]	107.5 [4.23]
CL	83.4 [3.28]	89.3 [3.52]	101.3 [3.99]	107.7 [4.24]	124.0 [4.88]
CM	89.3 [3.52]	93.7 [3.69]	97.2 [3.83]	105.6 [4.16]	130.0 [5.12]
α	17°	17°	19°	17°	17°
Case drain port "L1"/"L2"	Port ISO 11926-1 7/8-14 Ø42.0 [1.65] max. clearance DIA for fitting	Port ISO 11926-1 7/8-14 Ø42.0 [1.65] max. clearance DIA for fitting	Port ISO 11926-1 1 1/16-12 Ø48.5 [1.91] max. clearance DIA for fitting	Port ISO 11926-1 1 1/16-12 Ø48.5 [1.91] max. clearance DIA for fitting	Port ISO 11926-1 1 5/16-12 Ø50.1 [1.97] max. clearance DIA for fitting
Split flange boss "A"/"B"	DN 19 typ I 40MPa series per ISO 6162 thread: M10x1.5 18.0 [0.71] full thread depth	DN 25 typ I 40MPa series per ISO 6162 thread: M12x1.75 23.0 [0.91] full thread depth	DN 25 typ I 40MPa series per ISO 6162 thread: M12x1.75 23.0 [0.91] full thread depth	DN 32 typ I 40MPa series per ISO 6162 thread: M12x1.75 23.0 [0.91] full thread depth	DN 32 typ I 40MPa series per ISO 6162 thread: M12x1.75 23.0 [0.91] full thread depth
<i>Radial ports</i>					
BH	204.7 [8.06]	218.8 [8.61]	240.3 [9.46]	263.9 [10.39]	302.0 [11.89]
BJ	32.3 [1.27]	34.7 [1.37]	37.5 [1.48]	42.0 [1.65]	48.0 [1.89]
BK	69.5 [2.74]	75.2 [2.96]	85.0 [3.35]	96.0 [3.78]	108.0 [4.25]
BL	50.8 [2.00]	57.2 [2.25]	57.2 [2.25]	66.6 [2.62]	66.6 [2.62]
BM	23.8 [0.94]	27.8 [1.09]	27.8 [1.09]	31.8 [1.25]	31.8 [1.25]
CN	244.8 [9.64]	258.7 [10.19]	283.6 [11.17]	307.9 [12.12]	346.0 [12.83]
CO	43.7 [1.72]	46.2 [1.82]	49.9 [1.96]	54.6 [2.15]	61.0 [2.4]
CP	48.0 [1.89]	50.0 [1.97]	50.0 [1.97]	60.0 [2.36]	65.0 [2.56]
System pressure "A"/"B"	Port ISO 11926-1 7/8-12 Ø34.0 [1.34] max. clearance DIA for fitting	Port ISO 11926-1 1 1/16-12 Ø42.0 [1.65] max. clearance DIA for fitting	Port ISO 11926-1 1 1/16-12 Ø42.0 [1.65] max. clearance DIA for fitting	Port ISO 11926-1 1 1/16-12 Ø42.0 [1.65] max. clearance DIA for fitting	Port ISO 11926-1 1 1/16-12 Ø42.0 [1.65] max. clearance DIA for fitting
Gauge port "MA"/"MB"	Port ISO 11926-1 7/8-12 Ø34.0 [1.34] max. clearance DIA for fitting	Port ISO 11926-1 1 1/16-12 Ø42.0 [1.65] max. clearance DIA for fitting	Port ISO 11926-1 1 1/16-12 Ø42.0 [1.65] max. clearance DIA for fitting	Port ISO 11926-1 1 1/16-12 Ø42.0 [1.65] max. clearance DIA for fitting	Port ISO 11926-1 1 1/16-12 Ø42.0 [1.65] max. clearance DIA for fitting
Split flange boss "A"/"B"	DN 19 typ I 40MPa series per ISO 6162 thread: M10x1.5 18.0 [0.71] full thread depth	DN 25 typ I 40MPa series per ISO 6162 thread: M12x1.75 23.0 [0.91] full thread depth	DN 25 typ I 40MPa series per ISO 6162 thread: M12x1.75 23.0 [0.91] full thread depth	DN 32 typ I 40MPa series per ISO 6162 thread: M12x1.75 23.0 [0.91] full thread depth	DN 32 typ I 40MPa series per ISO 6162 thread: M12x1.75 23.0 [0.91] full thread depth

General Dimensions

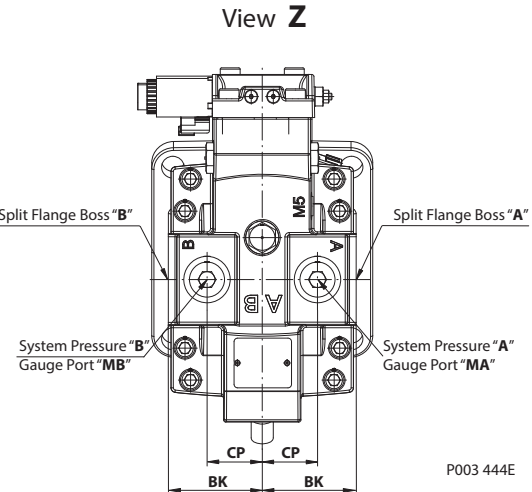
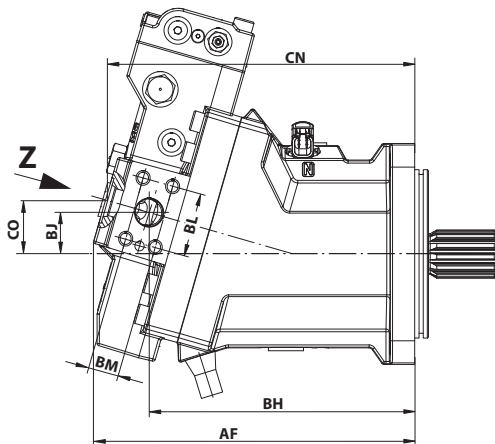
SAE Flange Design, Two Position Control, Pressure Compensator Override, Electric Brake Pressure Defeat, Option T* D* and P* D*

Axial Ports

mm
[in]



Radial Ports



P003 444E

General Dimensions

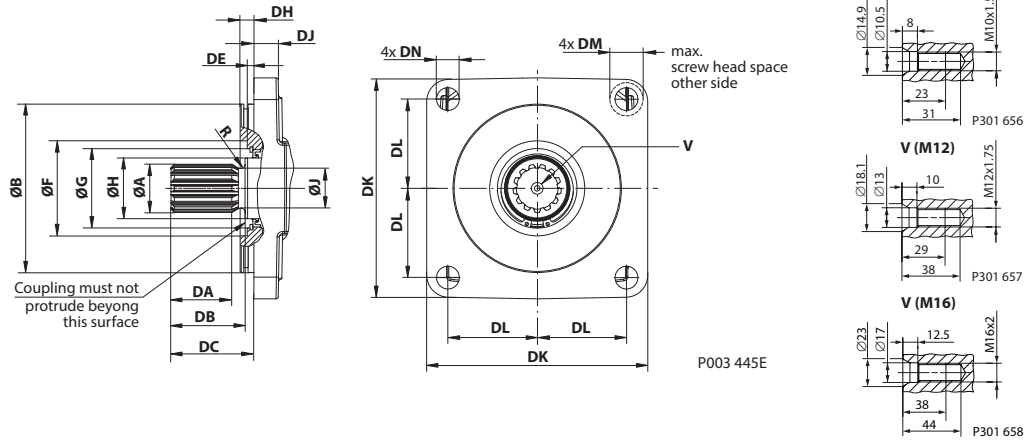
SAE Flange Design, Two Position Control, Pressure Compensator Override, Electric Brake Pressure Defeat, Option T* D* and P* D*

Dimensions mm [in]

Frame size	060	080	110	160	250
<i>Axial and radial ports</i>					
AA	243.0 [9.57]	261.4 [10.29]	288.0 [11.34]	314.9 [12.40]	359.0 [14.13]
AB	114.7 [4.52]	119.4 [4.70]	130.8 [5.15]	138.2 [5.44]	152.0 [5.98]
AC	193.6 [7.62]	206.6 [8.13]	224.1 [8.82]	242.5 [9.55]	267.0 [10.51]
AD	112.7 [4.44]	112.7 [4.44]	112.7 [4.44]	112.7 [4.44]	112.7 [4.44]
AE	67.3 max [2.65 max]	67.3 max [2.65 max]	67.3 max [2.65 max]	67.3 max [2.65 max]	67.3 max [2.65 max]
BA	205.1 [8.07]	219.1 [8.63]	240.3 [9.46]	263.9 [10.39]	302.0 [11.89]
BB	32.3 [1.27]	34.7 [1.37]	37.5 [1.48]	42.0 [1.65]	48.0 [1.89]
BC	74.4 [2.93]	78.4 [3.09]	88.9 [3.50]	99.9 [3.93]	108.0 [4.25]
BD	189.8 [7.47]	198.0 [7.80]	220.0 [8.66]	243.9 [9.60]	281.0 [11.06]
BE	83.8 [3.30]	90.6 [3.57]	100.9 [3.97]	111.7 [4.40]	125.0 [4.92]
CA	233.8 [9.20]	250.2 [9.85]	276.8 [10.90]	298.9 [11.78]	338.0 [13.31]
CB	40.6 [1.60]	43.7 [1.72]	48.0 [1.89]	52.1 [2.05]	59.0 [2.32]
CC	48.0 [1.89]	50.0 [1.97]	50.0 [1.97]	60.0 [2.36]	65.0 [2.56]
CD	50.8 [2.00]	57.2 [2.25]	57.2 [2.25]	66.6 [2.62]	66.6 [2.62]
CE	23.8 [0.94]	27.8 [1.09]	27.8 [1.09]	31.8 [1.25]	31.8 [1.25]
CF	69.5 [2.74]	67.7 [2.67]	95.5 [3.76]	86.4 [3.40]	107.0 [4.21]
CG	85.8 [3.38]	90.0 [3.54]	96.0 [3.78]	102.2 [4.02]	112.0 [4.41]
CH	18.0 [0.71]	17.0 [0.67]	21.0 [0.83]	23.0 [0.91]	25.0 [0.98]
CJ	92.5 [3.64]	104.0 [4.09]	119.5 [4.70]	122.8 [4.83]	141.5 [5.57]
CK	70.0 [2.76]	75.0 [2.95]	83.0 [3.27]	96.5 [3.80]	107.5 [4.23]
CL	83.4 [3.28]	89.3 [3.52]	101.3 [3.99]	107.7 [4.24]	124.0 [4.88]
CM	89.3 [3.52]	93.7 [3.69]	97.2 [3.83]	105.6 [4.16]	130.0 [5.12]
α	17°	17°	19°	17°	17°
Case drain port "L1"/"L2"	Port ISO 11926-1 7/8-14 Ø42.0 [1.65] max. clearance DIA for fitting	Port ISO 11926-1 7/8-14 Ø42.0 [1.65] max. clearance DIA for fitting	Port ISO 11926-1 1 1/16-12 Ø48.5 [1.91] max. clearance DIA for fitting	Port ISO 11926-1 1 1/16-12 Ø48.5 [1.91] max. clearance DIA for fitting	Port ISO 11926-1 1 5/16-12 Ø50.1 [1.97] max. clearance DIA for fitting
Split flange boss "A"/"B"	DN 19 typ I 40MPa series per ISO 6162 thread: M10x1.5 18.0 [0.71] full thread depth	DN 25 typ I 40MPa series per ISO 6162 thread: M12x1.75 23.0 [0.91] full thread depth	DN 25 typ I 40MPa series per ISO 6162 thread: M12x1.75 23.0 [0.91] full thread depth	DN 32 typ I 40MPa series per ISO 6162 thread: M12x1.75 23.0 [0.91] full thread depth	DN 32 typ I 40MPa series per ISO 6162 thread: M12x1.75 23.0 [0.91] full thread depth
<i>Radial ports</i>					
AF	245.3 [9.66]	263.5 [10.37]	290.4 [11.43]	314.9 [12.39]	359.0
BH	205.1 [8.07]	218.8 [8.61]	240.3 [9.46]	263.9 [10.39]	302.0 [11.89]
BJ	32.3 [1.27]	34.7 [1.37]	37.5 [1.48]	42.0 [1.65]	48.0 [1.89]
BK	69.5 [2.74]	75.2 [2.96]	85.0 [3.35]	96.0 [3.78]	108.0 [4.25]
BL	50.8 [2.00]	57.2 [2.25]	57.2 [2.25]	66.6 [2.62]	66.6 [2.62]
BM	23.8 [0.94]	27.8 [1.09]	27.8 [1.09]	31.8 [1.25]	31.8 [1.25]
CN	234.1 [9.22]	250.6 [9.87]	277.8 [10.94]	298.9 [11.78]	339.0 [13.35]
CO	40.7 [1.60]	43.8 [1.72]	48.2 [1.90]	52.3 [2.06]	59.0 [2.4]
CP	48.0 [1.89]	50.0 [1.97]	50.0 [1.97]	60.0 [2.36]	65.0 [2.56]
System pressure "A"/"B" Gauge port "MA"/"MB"	Port ISO 11926-1 7/8-12 Ø34.0 [1.34] max. clearance DIA for fitting	Port ISO 11926-1 1 1/16-12 Ø42.0 [1.65] max. clearance DIA for fitting	Port ISO 11926-1 1 1/16-12 Ø42.0 [1.65] max. clearance DIA for fitting	Port ISO 11926-1 1 1/16-12 Ø42.0 [1.65] max. clearance DIA for fitting	Port ISO 11926-1 1 1/16-12 Ø42.0 [1.65] max. clearance DIA for fitting
Split flange boss "A"/"B"	DN 19 typ I 40MPa series per ISO 6162 thread: M10x1.5 18.0 [0.71] full thread depth	DN 25 typ I 40MPa series per ISO 6162 thread: M12x1.75 23.0 [0.91] full thread depth	DN 25 typ I 40MPa series per ISO 6162 thread: M12x1.75 23.0 [0.91] full thread depth	DN 32 typ I 40MPa series per ISO 6162 thread: M12x1.75 23.0 [0.91] full thread depth	DN 32 typ I 40MPa series per ISO 6162 thread: M12x1.75 23.0 [0.91] full thread depth

General Dimensions

SAE Flange Design



Shaft and flange dimensions mm [in]

Frame size Shaft opt.	060		080			110		160		250	
	AN/AS	BN/BS	AN/AS	BN/BS	CN/CS	DN/DS	EN/ES	EN/ES	FN/FS	DN/DS	DN/DS

Flange dimensions

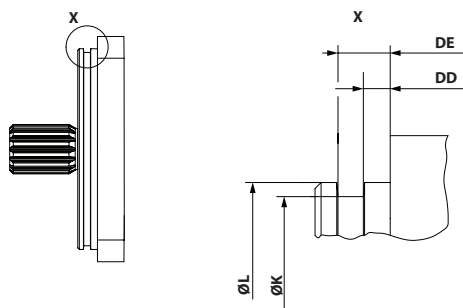
Size	Mounting flange surface flange 127-4 per ISO 3019/1	Mounting flange surface flange 127-4 per ISO 3019/1	Mounting flange surface flange 152-4 per ISO 3019/1	Mounting flange surface flange 152-4 per ISO 3019/1	Mounting flange surface flange 165-4 per ISO 3019/1
ØB	126.975 [4.999]	126.975 [4.999]	152.375 [5.999]	152.375 [5.999]	165.075 [6.500]
ØF	80.0 [3.150]	80.0 [3.150]	86.0 [3.386]	100.0 [3.937]	100.0 [3.937]
ØG	62.0 [2.441]	62.0 [2.441]	72.0 [2.835]	72.0 [2.835]	72.0 [2.835]
DE	6.4 [0.252]	6.4 [0.252]	6.0 [0.236]	6.4 [0.252]	6.4 [0.252]
DH	12.5 [0.492]	12.5 [0.492]	12.5 [0.492]	12.5 [0.492]	15.65 [0.620]
DJ	18.0 [0.709]	19.0 [0.748]	22.0 [0.866]	22.0 [0.866]	25.0 [0.980]
DK	142.5 [5.610]	142.5 [5.610]	200.0 [7.874]	200.0 [7.874]	260.0 [10.24]
DL	57.3 [2.256]	57.3 [2.256]	80.8 [3.181]	80.8 [3.181]	112.2 [4.420]
DM	19.5 [0.768]	19.5 [0.768]	30.0 [1.181]	30.0 [1.181]	30.0 [1.181]
DN	14.3 [0.563]	14.3 [0.563]	20.6 [0.811]	20.6 [0.811]	20.6 [0.811]

Shaft Dimensions

Teeth	14	21	14	21	23	27	13	13	15	27	27	15
Module	12/24	16/32	12/24	16/32	16/32	16/32	8/16	8/16	8/16	16/32	16/32	8/16
Pressure angle	30°											
Pitch-Ø	29.633 [1.167]	33.337 [1.312]	29.633 [1.167]	33.337 [1.312]	36.513 [1.438]	42.862 [1.687]	41.275 [1.625]	41.275 [1.625]	47.625 [1.875]	42.862 [1.687]	42.862 [1.687]	47.625 [1.875]
Spline	ANSI B92.1-1970 Class 5 flat root side fit											
V	M10		M10		M12	M16	M12	M12	M16		M16	
ØA	31.2 [1.228]	34.4 [1.315]	31.2 [1.228]	34.4 [1.315]	37.61 [1.480]	44.0 [1.732]	43.6 [1.717]	43.6 [1.717]	50.0 [1.968]	44.0 [1.732]	44.96 [1.731]	49.96 [1.966]
ØH	44.5 [1.752]		44.5 [1.752]		55.0 [2.165]		55.0 [2.165]		55.0 [2.165]		55.0 [2.165]	
ØJ	25.8 [1.016]	30.0 [1.181]	25.8 [1.016]	30.0 [1.181]	32.0 [1.260]	39.6 [1.559]	36.0 [1.417]	36.0 [1.417]	42.2 [1.661]	39.6 [1.559]	39.6 [1.559]	36.0 [1.417]
DA	37.5 [1.476]		37.5 [1.476]		55.0 [2.165]		55.0 [2.165]	53.0 [2.087]	55.0 [2.165]	55.0 [2.165]	55.0 [2.165]	53.0 [2.087]
DB	47.5 [1.870]		47.5 [1.870]		67.0 [2.638]		67.0 [2.638]		67.0 [2.638]		67.0 [2.638]	
DC	55.5 [2.185]		55.5 [2.185]		75.0 [2.953]		75.4 [2.968]		75.4 [2.968]		75.0 [2.953]	
R	3.0 [0.118]		3.0 [0.118]		3.0 [0.118]		3.0 [0.118]		3.0 [0.118]		3.0 [0.118]	

For DIN 5480 shaft used in combination with SAE flanges, please contact your local Danfoss Power Solutions representative.

General Dimensions

 SAE Flange Design
(continued)


P301 659

O-ring groove dimensions mm [in]

Frame size	060	080	110	160	250
ØA	122.3 [4.81]	122.3 [4.81]	147.7 [5.81]	147.7 [5.81]	160.4 [6.31]
ØB	127.0 [5.00]	127.0 [5.00]	152.4 [6.00]	152.4 [6.00]	165.1 [6.50]
C	4.45 [0.175]	4.45 [0.175]	4.45 [0.175]	4.45 [0.175]	6.65 [0.262]
D	8.65 [0.341]	8.65 [0.341]	8.65 [0.341]	8.65 [0.341]	10.85 [0.427]
*Recommended O-ring	3 x 116	3 x 116	3 x 142	3 x 142	3 x 154
Material number	930511	930511	729285	729285	723319

* Is not part of the shipment

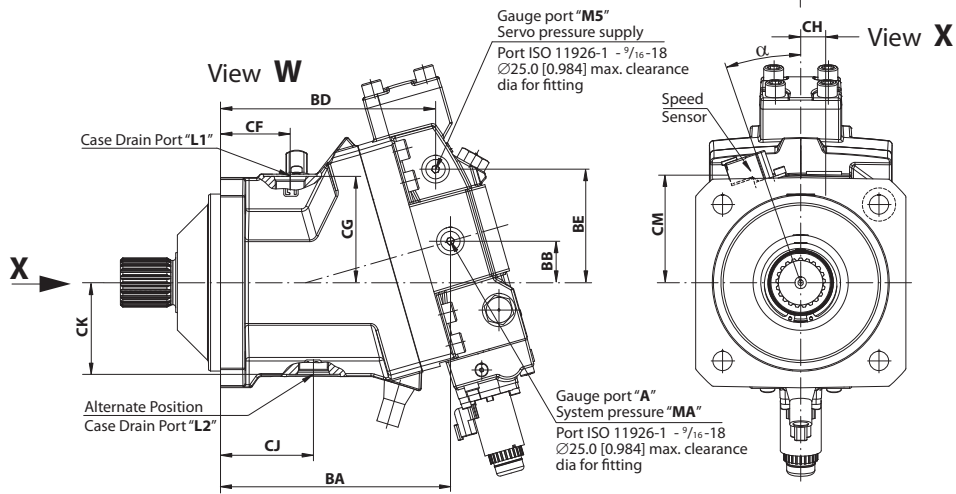
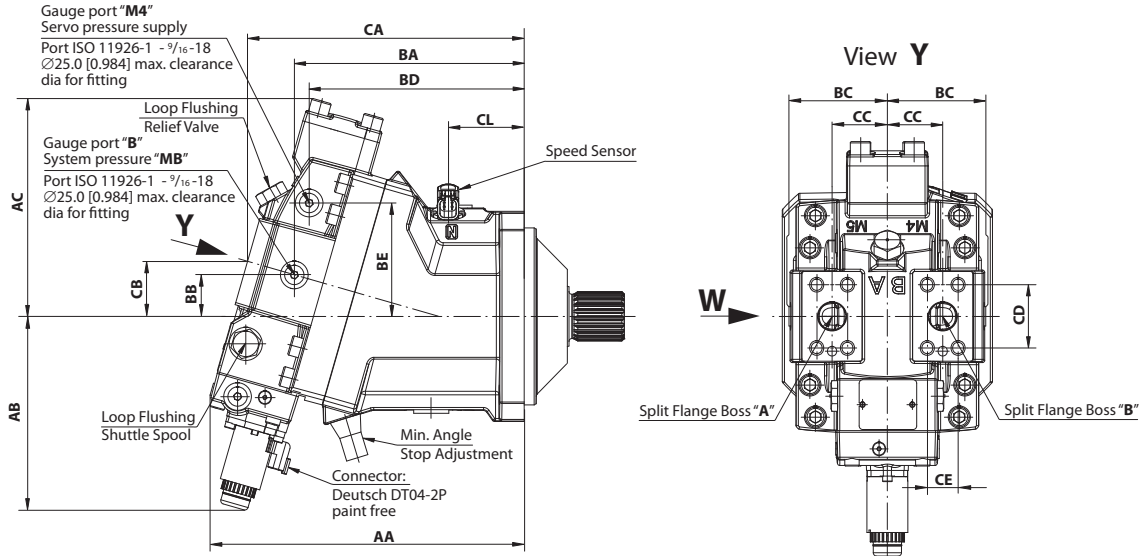
An o-ring groove was added to the SAE housing in September 2013 to facilitate sealing between the motor and mating structures. Motor installations will vary by application - it is the customer's responsibility to evaluate each application for proper mounting and sealing

General Dimensions

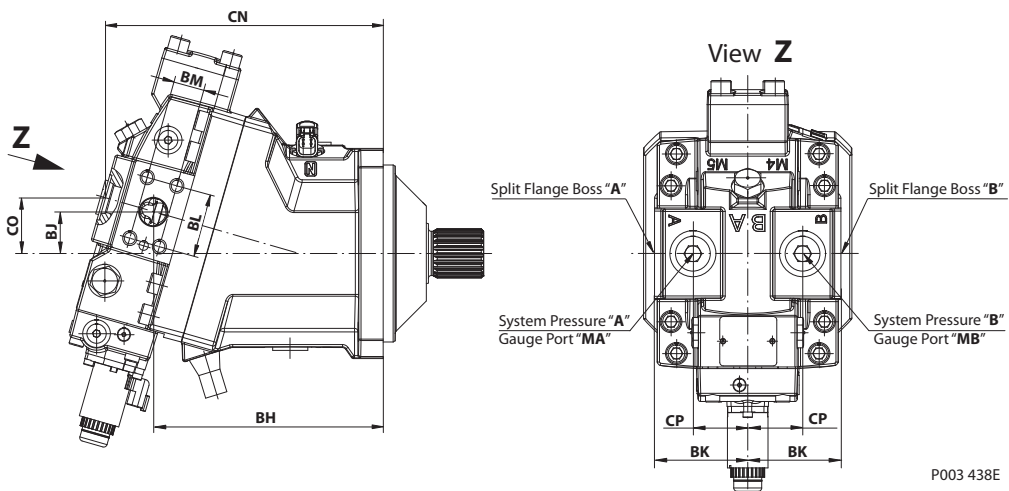
DIN Flange Design, Proportional Control, Option L*

Axial Ports

mm
[in]



Radial Ports



P003 438E

General Dimensions
**DIN Flange Design,
Proportional Control,
Option L***
Dimensions mm [in]

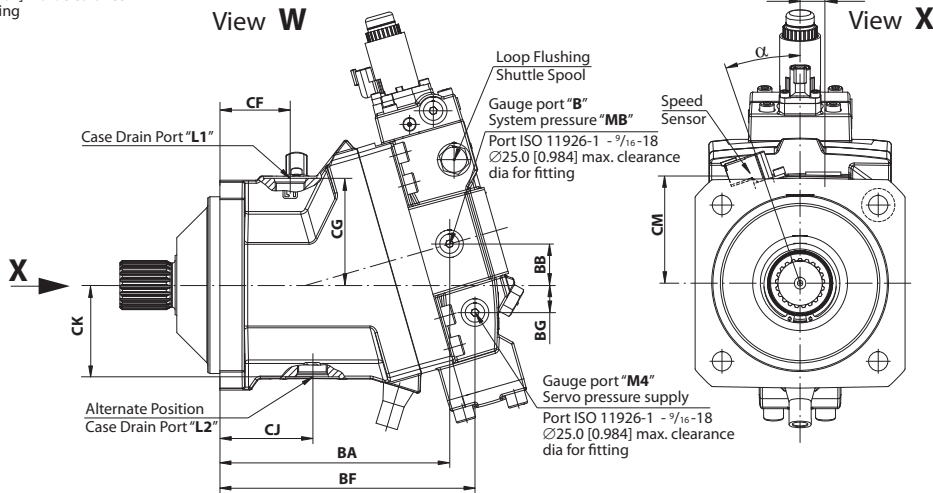
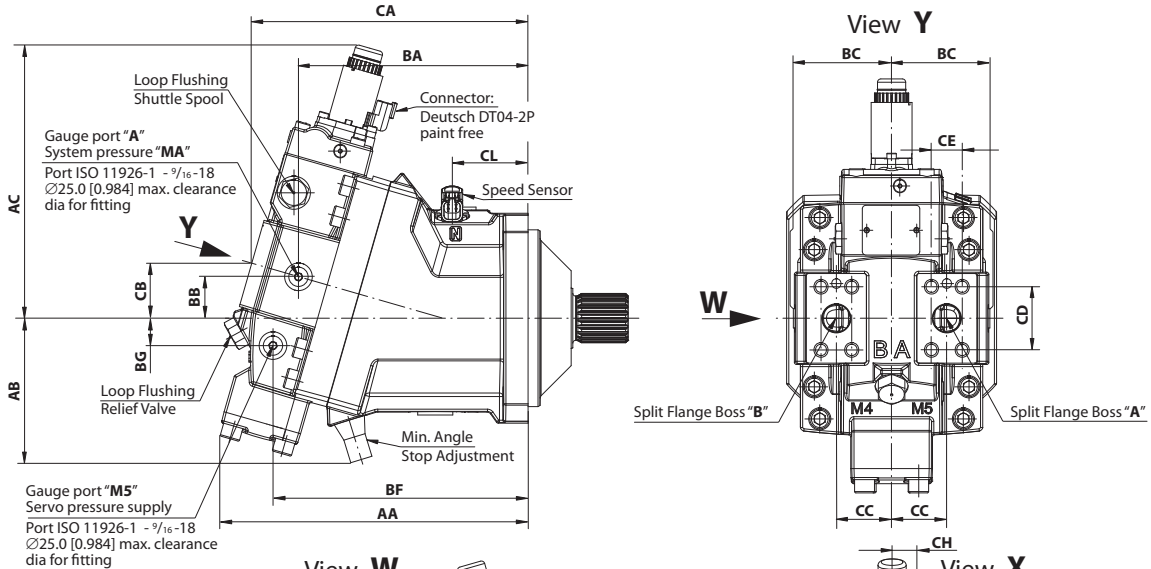
Frame size	060		080		110		160	
<i>Axial and radial ports</i>								
AA	247.8	[9.76]	265.9	[10.47]	283.9	[11.18]	311.7	[12.27]
AB	164.7	[6.48]	170.6	[6.72]	175.0	[6.89]	183.8	[7.24]
AC	167.5	[6.59]	179.9	[7.08]	196.9	[7.75]	219.7	[8.65]
BA	180.3	[7.10]	194.8	[7.67]	207.8	[8.18]	232.0	[9.13]
BB	32.3	[1.27]	34.7	[1.37]	37.5	[1.49]	42.0	[1.65]
BC	74.4	[2.93]	78.4	[3.09]	88.9	[3.50]	99.9	[3.93]
BD	165.5	[6.56]	179.9	[7.08]	194.4	[7.65]	216.0	[8.50]
BE	84.0	[3.30]	92.4	[3.64]	102.5	[4.04]	115.4	[4.54]
CA	219.2	[8.63]	234.7	[9.24]	250.1	[9.84]	275.0	[10.83]
CB	43.4	[1.71]	46.2	[1.82]	49.6	[1.95]	54.4	[2.14]
CC	48.0	[1.89]	50.0	[1.97]	50.0	[1.97]	60.0	[2.36]
CD	50.8	[2.00]	57.2	[2.25]	57.2	[2.25]	66.6	[2.62]
CE	23.8	[0.94]	27.8	[1.09]	27.8	[1.09]	31.8	[1.25]
CF	45.0	[1.77]	46.0	[1.81]	63.0	[2.48]	54.5	[2.15]
CG	85.8	[3.38]	90.0	[3.54]	96.0	[3.78]	102.2	[4.02]
CH	18.0	[0.71]	22.0	[0.87]	21.0	[0.83]	23.0	[0.91]
CJ	68.0	[2.68]	80.0	[3.15]	87.0	[3.43]	90.9	[3.58]
CK	70.0	[2.76]	75.0	[2.95]	83.0	[3.27]	96.5	[3.80]
CL	58.9	[2.32]	65.3	[2.57]	68.8	[2.71]	75.8	[2.98]
CM	89.3	[3.52]	93.7	[3.69]	97.2	[3.83]	105.6	[4.16]
α	17°		17°		19°		17°	
Case drain port "L1"/"L2"	Port ISO 11926-1 7/8-14 Ø42.0 [1.65] max. clearance DIA for fitting		Port ISO 11926-1 7/8-14 Ø42.0 [1.65] max. clearance DIA for fitting		Port ISO 11926-1 1 1/16-12 Ø48.5 [1.91] max. clearance DIA for fitting		Port ISO 11926-1 1 1/16-12 Ø48.5 [1.91] max. clearance DIA for fitting	
Split flange boss "A"/"B"	DN 19 typ I 40MPa series per ISO 6162 thread: M10x1.5 18.0 [0.71] full thread depth		DN 25 typ I 40MPa series per ISO 6162 thread: M12x1.75 23.0 [0.91] full thread depth		DN 25 typ I 40MPa series per ISO 6162 thread: M12x1.75 23.0 [0.91] full thread depth		DN 32 typ I 40MPa series per ISO 6162 thread: M12x1.75 23.0 [0.91] full thread depth	
<i>Radial ports</i>								
BH	180.3	[7.10]	194.8	[7.67]	207.8	[8.18]	232.0	[9.13]
BJ	32.3	[1.27]	34.7	[1.37]	37.5	[1.48]	42.0	[1.65]
BK	69.5	[2.74]	75.2	[2.96]	85.0	[3.35]	96.0	[3.78]
BL	50.8	[2.00]	57.2	[2.25]	57.2	[2.25]	66.6	[2.62]
BM	23.8	[0.94]	27.8	[1.09]	27.8	[1.09]	31.8	[1.25]
CN	220.3	[8.67]	234.7	[9.24]	251.1	[9.89]	276.0	[10.87]
CO	43.7	[1.72]	46.2	[1.82]	49.9	[1.96]	54.6	[2.15]
CP	48.0	[1.89]	50.0	[1.97]	50.0	[1.97]	60.0	[2.36]
System pressure "A"/"B"	Port ISO 11926-1 7/8-12 Ø34.0 [1.34] max. clearance DIA for fitting		Port ISO 11926-1 1 1/16-12 Ø42.0 [1.65] max. clearance DIA for fitting		Port ISO 11926-1 1 1/16-12 Ø42.0 [1.65] max. clearance DIA for fitting		Port ISO 11926-1 1 1/16-12 Ø42.0 [1.65] max. clearance DIA for fitting	
Gauge port "MA"/"MB"	Port ISO 11926-1 7/8-12 Ø34.0 [1.34] max. clearance DIA for fitting		Port ISO 11926-1 1 1/16-12 Ø42.0 [1.65] max. clearance DIA for fitting		Port ISO 11926-1 1 1/16-12 Ø42.0 [1.65] max. clearance DIA for fitting		Port ISO 11926-1 1 1/16-12 Ø42.0 [1.65] max. clearance DIA for fitting	
Split flange boss "A"/"B"	DN 19 typ I 40MPa series per ISO 6162 thread: M10x1.5 18.0 [0.71] full thread depth		DN 25 typ I 40MPa series per ISO 6162 thread: M12x1.75 23.0 [0.91] full thread depth		DN 25 typ I 40MPa series per ISO 6162 thread: M12x1.75 23.0 [0.91] full thread depth		DN 32 typ I 40MPa series per ISO 6162 thread: M12x1.75 23.0 [0.91] full thread depth	

General Dimensions

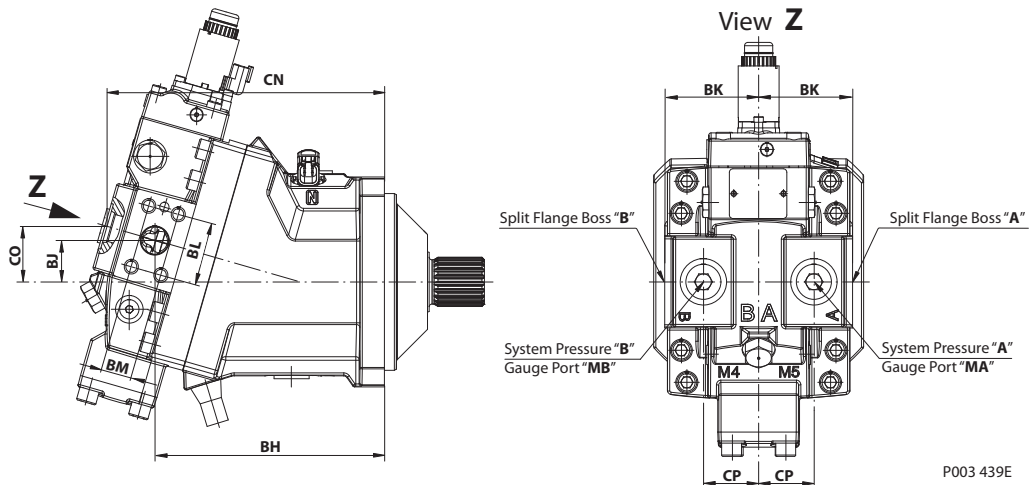
DIN Flange Design, Proportional Control, Option M*

Axial Ports

mm
[in]



Radial Ports



P003 439E

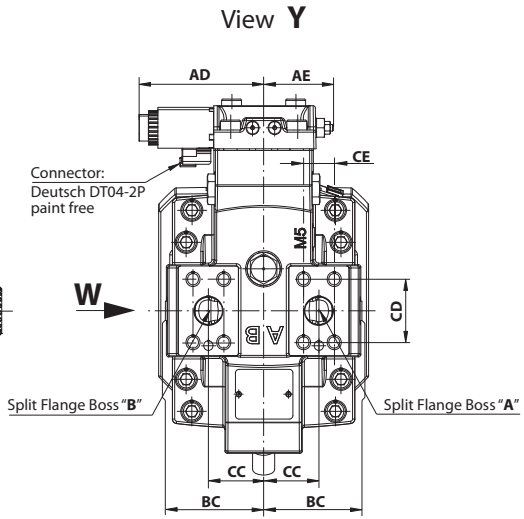
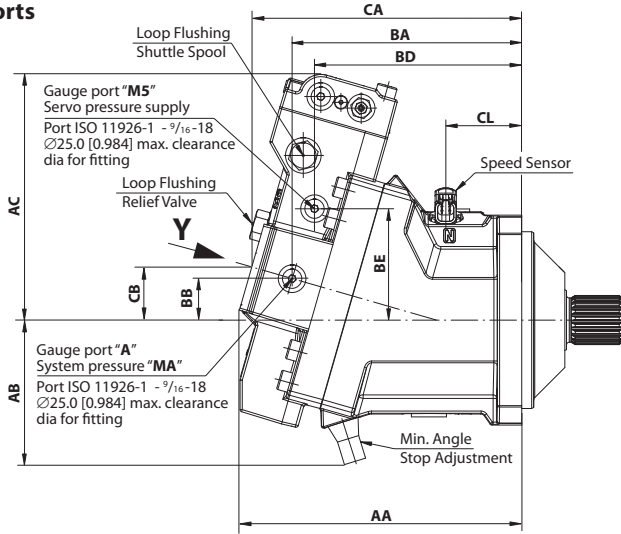
General Dimensions
**DIN Flange Design,
Proportional Control,
Option M***
Dimensions mm [in]

Frame size	060		080		110		160	
<i>Axial and radial ports</i>								
AA	240.5	[9.47]	259.2	[10.20]	278.5	[10.96]	307.8	[12.12]
AB	114.7	[4.52]	119.4	[4.70]	130.8	[5.15]	138.2	[5.44]
AC	224.2	[8.83]	235.7	[9.28]	247.2	[9.73]	265.0	[10.43]
BA	180.3	[7.10]	194.8	[7.67]	207.8	[8.18]	232.0	[9.13]
BB	32.3	[1.27]	34.7	[1.37]	37.5	[1.48]	42.0	[1.65]
BC	74.4	[2.93]	78.4	[3.09]	88.9	[3.50]	99.0	[3.93]
BF	196.0	[7.72]	212.7	[8.38]	230.9	[9.90]	257.3	[10.13]
BG	18.9	[0.74]	22.0	[0.87]	24.8	[0.98]	28.6	[1.13]
CA	219.2	[8.63]	234.7	[9.24]	250.1	[9.85]	275.0	[10.83]
CB	43.4	[1.71]	46.2	[1.82]	49.6	[1.95]	54.4	[2.14]
CC	48.0	[1.89]	50.0	[1.97]	50.0	[1.97]	60.0	[2.36]
CD	50.8	[2.00]	57.2	[2.25]	57.2	[2.25]	66.6	[2.62]
CE	23.8	[0.94]	27.8	[1.09]	27.8	[1.09]	31.8	[1.25]
CF	45.0	[1.77]	46.0	[1.81]	63.0	[2.48]	54.5	[2.15]
CG	85.8	[3.38]	90.0	[3.54]	96.0	[3.78]	102.2	[4.02]
CH	18.0	[0.71]	22.0	[0.87]	21.0	[0.83]	23.0	[0.91]
CJ	68.0	[2.68]	80.0	[3.15]	87.0	[3.43]	90.9	[3.58]
CK	70.0	[2.76]	75.0	[2.95]	83.0	[3.27]	96.5	[3.80]
CL	58.9	[2.32]	65.3	[2.57]	68.8	[2.71]	75.8	[2.98]
CM	89.3	[3.52]	93.7	[3.69]	97.2	[3.83]	105.6	[4.16]
α	17°		17°		19°		17°	
Case drain port "L1"/"L2"	Port ISO 11926-1 7/8-14 Ø42.0 [1.65] max. clearance DIA for fitting		Port ISO 11926-1 7/8-14 Ø42.0 [1.65] max. clearance DIA for fitting		Port ISO 11926-1 1 1/16-12 Ø48.5 [1.91] max. clearance DIA for fitting		Port ISO 11926-1 1 1/16-12 Ø48.5 [1.91] max. clearance DIA for fitting	
Split flange boss "A"/"B"	DN 19 typ I 40MPa series per ISO 6162 thread: M10x1.5 18.0 [0.71] full thread depth		DN 25 typ I 40MPa series per ISO 6162 thread: M12x1.75 23.0 [0.91] full thread depth		DN 25 typ I 40MPa series per ISO 6162 thread: M12x1.75 23.0 [0.91] full thread depth		DN 32 typ I 40MPa series per ISO 6162 thread: M12x1.75 23.0 [0.91] full thread depth	
<i>Radial ports</i>								
BH	180.3	[7.10]	194.8	[7.67]	207.8	[8.18]	232.0	[9.13]
BJ	32.3	[1.27]	34.7	[1.37]	37.5	[1.48]	42.0	[1.65]
BK	69.5	[2.74]	75.2	[2.96]	85.0	[3.35]	96.0	[3.78]
BL	50.8	[2.00]	57.2	[2.25]	57.2	[2.25]	66.6	[2.62]
BM	23.8	[0.94]	27.8	[1.09]	27.8	[1.09]	31.8	[1.25]
CN	220.3	[8.67]	234.7	[9.24]	251.1	[9.89]	276.0	[10.87]
CO	43.7	[1.72]	46.2	[1.82]	49.9	[1.96]	54.6	[2.15]
CP	48.0	[1.89]	50.0	[1.97]	50.0	[1.97]	60.0	[2.36]
System pressure "A"/"B"	Port ISO 11926-1 7/8-12 Ø34.0 [1.34] max. clearance DIA for fitting		Port ISO 11926-1 1 1/16-12 Ø42.0 [1.65] max. clearance DIA for fitting		Port ISO 11926-1 1 1/16-12 Ø42.0 [1.65] max. clearance DIA for fitting		Port ISO 11926-1 1 1/16-12 Ø42.0 [1.65] max. clearance DIA for fitting	
Gauge port "MA"/"MB"	Port ISO 11926-1 7/8-12 Ø34.0 [1.34] max. clearance DIA for fitting		Port ISO 11926-1 1 1/16-12 Ø42.0 [1.65] max. clearance DIA for fitting		Port ISO 11926-1 1 1/16-12 Ø42.0 [1.65] max. clearance DIA for fitting		Port ISO 11926-1 1 1/16-12 Ø42.0 [1.65] max. clearance DIA for fitting	
Split flange boss "A"/"B"	DN 19 typ I 40MPa series per ISO 6162 thread: M10x1.5 18.0 [0.71] full thread depth		DN 25 typ I 40MPa series per ISO 6162 thread: M12x1.75 23.0 [0.91] full thread depth		DN 25 typ I 40MPa series per ISO 6162 thread: M12x1.75 23.0 [0.91] full thread depth		DN 32 typ I 40MPa series per ISO 6162 thread: M12x1.75 23.0 [0.91] full thread depth	

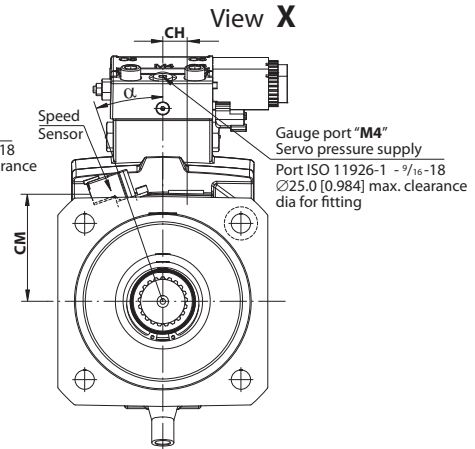
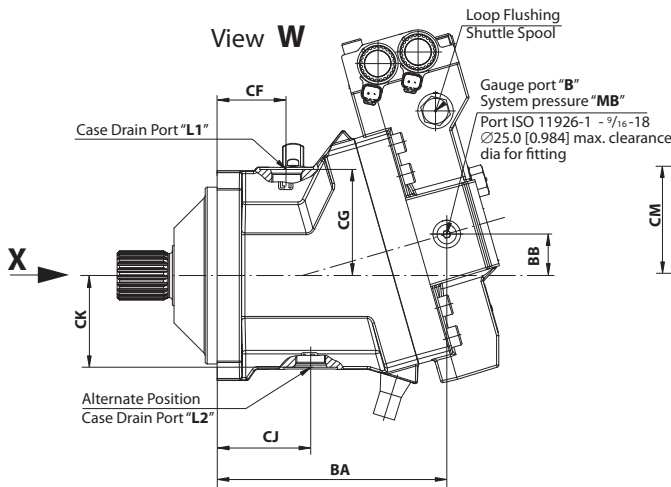
General Dimensions

DIN Flange Design, Two Position Control, Pressure Compensator Override, Electric Brake Pressure Defeat, Option T* D* and P* D*

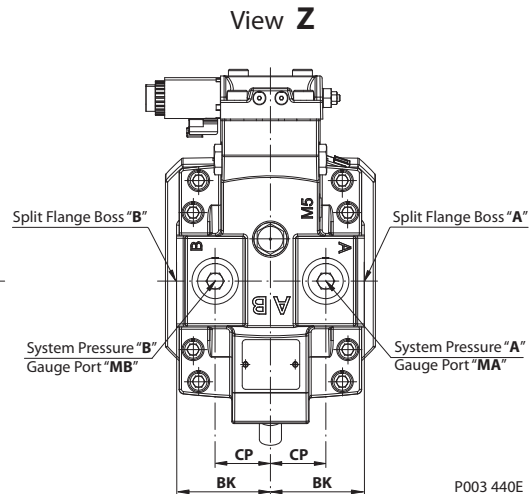
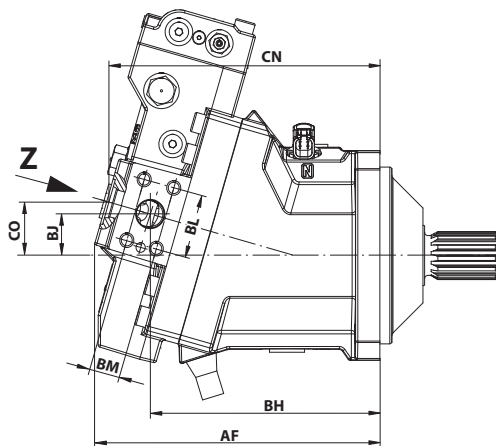
Axial Ports



mm
[in]



Radial Ports



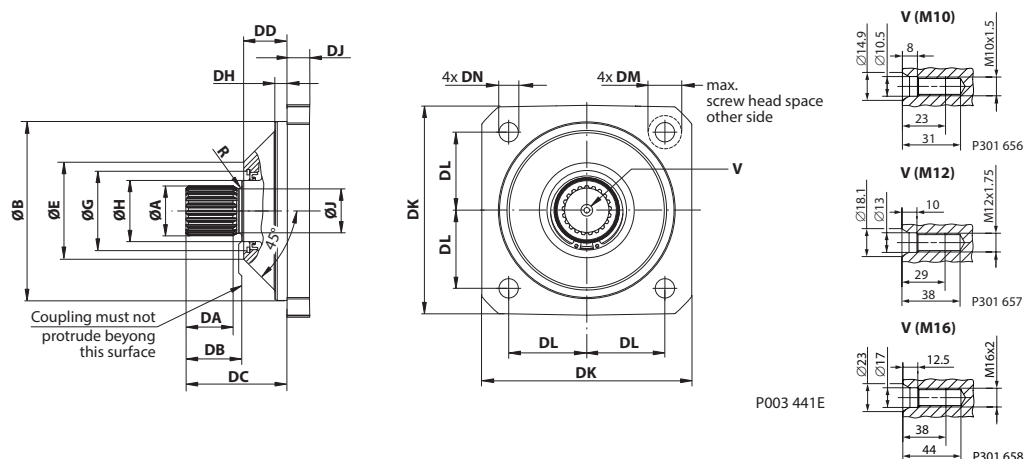
P003 440E

General Dimensions

DIN Flange Design, Two Position Control, Pressure Compensator Override, Electric Brake Pressure Defeat, Option T* D* and P* D*

Dimensions mm [in]

Frame size	060		080		110		160	
<i>Axial and radial ports</i>								
AA	219.1	[8.63]	237.4	[9.35]	255.5	[10.06]	283.0	[11.14]
AB	114.7	[4.52]	119.4	[4.70]	130.8	[5.15]	138.2	[5.44]
AC	193.6	[7.62]	206.6	[8.13]	224.1	[8.82]	242.5	[9.55]
AD	112.7	[4.44]	112.7	[4.44]	112.7	[4.44]	112.7	[4.44]
AE	67.3 max.	[2.65 max.]	67.3 max.	[2.65 max.]	67.3 max.	[2.65 max.]	67.3 max.	[2.65 max.]
BA	180.6	[7.11]	195.1	[7.68]	207.8	[8.18]	232.0	[9.13]
BB	32.3	[1.27]	34.7	[1.38]	37.5	[1.48]	42.0	[1.65]
BC	74.4	[2.93]	78.0	[3.07]	88.9	[3.50]	99.9	[3.93]
BD	165.3	[6.51]	174.0	[6.85]	187.5	[7.38]	212.1	[8.35]
BE	83.8	[3.30]	90.6	[3.54]	100.9	[3.97]	111.7	[4.40]
CA	209.3	[8.24]	226.2	[8.91]	244.3	[9.62]	267.0	[10.51]
CB	40.6	[1.60]	43.7	[1.72]	48.0	[1.89]	52.1	[2.05]
CC	48.0	[1.89]	50.0	[1.97]	50.0	[1.97]	60.0	[2.36]
CD	50.8	[2.00]	57.2	[2.25]	57.2	[2.25]	66.6	[2.62]
CE	23.8	[0.94]	27.8	[1.09]	27.8	[1.09]	31.8	[1.25]
CF	45.0	[1.77]	46.0	[1.81]	63.0	[2.48]	54.5	[2.15]
CG	85.8	[3.38]	90.0	[3.54]	96.0	[3.78]	102.2	[4.02]
CH	18.0	[0.71]	22.0	[0.87]	21.0	[0.83]	23.0	[0.91]
CJ	68.0	[2.68]	80.0	[3.15]	87.0	[3.43]	90.9	[3.58]
CK	70.0	[2.76]	75.0	[2.95]	83.0	[3.27]	96.5	[3.80]
CL	58.9	[2.32]	65.3	[2.57]	68.8	[2.71]	75.8	[2.98]
CM	89.3	[3.52]	93.7	[3.69]	97.2	[3.83]	105.6	[4.16]
α	17°		17°		19°		17°	
Case drain port "L1"/"L2"	Port ISO 11926-1 7/8-14 Ø42.0 [1.65] max. clearance DIA for fitting		Port ISO 11926-1 7/8-14 Ø42.0 [1.65] max. clearance DIA for fitting		Port ISO 11926-1 1 1/16-12 Ø48.5 [1.91] max. clearance DIA for fitting		Port ISO 11926-1 1 1/16-12 Ø48.5 [1.91] max. clearance DIA for fitting	
Split flange boss "A"/"B"	DN 19 typ I 40MPa series per ISO 6162 thread: M10x1.5 18.0 [0.71] full thread depth		DN 25 typ I 40MPa series per ISO 6162 thread: M12x1.75 23.0 [0.91] full thread depth		DN 25 typ I 40MPa series per ISO 6162 thread: M12x1.75 23.0 [0.91] full thread depth		DN 32 typ I 40MPa series per ISO 6162 thread: M12x1.75 23.0 [0.91] full thread depth	
<i>Radial ports</i>								
AF	220.8	[8.69]	239.5	[9.43]	257.9	[10.15]	283.0	[11.14]
BH	180.6	[7.11]	194.8	[7.67]	207.8	[8.18]	232.0	[9.13]
BJ	32.3	[1.27]	34.7	[1.37]	37.5	[1.48]	42.0	[1.65]
BK	69.5	[2.74]	75.2	[2.96]	85.0	[3.35]	96.0	[3.78]
BL	50.8	[2.00]	57.2	[2.25]	57.2	[2.25]	66.6	[2.62]
BM	23.8	[0.94]	27.8	[1.09]	27.8	[1.09]	31.8	[1.25]
CN	209.6	[8.25]	226.6	[8.92]	245.3	[9.66]	267.9	[10.55]
CO	40.7	[1.60]	43.8	[1.72]	48.2	[1.90]	52.3	[2.06]
CP	48.0	[1.89]	50.0	[1.97]	50.0	[1.97]	60.0	[2.36]
System pressure "A"/"B" Gauge port "MA"/"MB"	Port ISO 11926-1 7/8-12 Ø34.0 [1.34] max. clearance DIA for fitting		Port ISO 11926-1 1 1/16-12 Ø42.0 [1.65] max. clearance DIA for fitting		Port ISO 11926-1 1 1/16-12 Ø42.0 [1.65] max. clearance DIA for fitting		Port ISO 11926-1 1 1/16-12 Ø42.0 [1.65] max. clearance DIA for fitting	
Split flange boss "A"/"B"	DN 19 typ I 40MPa series per ISO 6162 thread: M10x1.5 18.0 [0.71] full thread depth		DN 25 typ I 40MPa series per ISO 6162 thread: M12x1.75 23.0 [0.91] full thread depth		DN 25 typ I 40MPa series per ISO 6162 thread: M12x1.75 23.0 [0.91] full thread depth		DN 32 typ I 40MPa series per ISO 6162 thread: M12x1.75 23.0 [0.91] full thread depth	

General Dimensions
**Flange Design
per ISO 3019/2,
(DIN Flange)**

Shaft and flange dimensions mm [in]

Frame size	060		080		110		160	
	GN/GS	HN/HS	HN/HS	JN/JS	JN/JS	KN/KS	KN/KS	LN/LS

Flange dimensions

Size	Mounting flange surface flange 125 B4 HL per ISO 3019/2	Mounting flange surface flange 140 B4 HL per ISO 3019/2	Mounting flange surface flange 160 B4 HL per ISO 3019/2	Mounting flange surface flange 180 B4 HL per ISO 3019/2
ØB	125.0 [4.921]	140.0 [5.512]	160.0 [6.299]	180.0 [7.087]
ØE	72.0 [2.835]	76.6 [3.016]	85.9 [3.382]	98.8 [3.890]
ØG	62.0 [2.441]	62.0 [2.441]	72.0 [2.835]	72.0 [2.835]
DD	30.0 [1.181]	31.2 [1.228]	39.0 [1.535]	38.8 [1.528]
DH	11.2 [0.441]	11.1 [0.437]	10.8 [0.425]	10.1 [0.398]
DJ	17.0 [0.669]	19.0 [0.748]	22.2 [0.874]	22.0 [0.866]
DK	150.0 [5.905]	165.0 [6.496]	190.0 [7.840]	212.0 [8.346]
DL	56.6 [2.228]	63.7 [2.509]	70.7 [2.783]	79.2 [3.118]
DM	19.5 [0.768]	19.5 [0.768]	30.0 [1.181]	30.0 [1.181]
DN	13.5 [0.531]	13.5 [0.531]	17.5 [0.689]	17.5 [0.689]

Shaft dimensions

Teeth	14	16	16	18	18	21	21	24
Pressure angle	30°							
Pitch-Ø	28.000 [1.102]	32.000 [1.260]	32.000 [1.260]	36.000 [1.417]	36.000 [1.417]	42.000 [1.654]	42.000 [1.654]	48.000 [1.890]
Spline	W30x2x30x 14x9g side fit DIN 5480	W35x2x30x 16x9g side fit DIN 5480	W35x2x30x 16x9g side fit DIN 5480	W40x2x30x 18x9g side fit DIN 5480	W40x2x30x 18x9g side fit DIN 5480	W45x2x30x 21x9g side fit DIN 5480	W45x2x30x 21x9g side fit DIN 5480	W50x2x30x 24x9g side fit DIN 5480
V	M10		M10	M12	M12	M16	M16	M16
ØA	29.6 [1.165]	34.6 [1.362]	34.6 [1.362]	39.6 [1.559]	39.6 [1.559]	44.6 [1.756]	44.6 [1.756]	49.6 [1.953]
ØH	44.5 [1.752]		44.5 [1.752]		55.0 [2.165]		55.0 [2.165]	
ØJ	25.0 [0.984]	30.0 [1.181]	30.0 [1.181]	35.0 [1.378]	35.0 [1.378]	40.0 [1.575]	40.0 [1.575]	45.0 [1.772]
DA	27.0 [1.063]	32.0 [1.260]	32.0 [1.260]	37.0 [1.457]	37.0 [1.457]	42.0 [1.654]	42.0 [1.654]	47.0 [1.850]
DB	35.0 [1.378]	40.0 [1.575]	40.0 [1.575]	45.0 [1.772]	45.0 [1.772]	50.0 [1.968]	50.0 [1.968]	55.0 [2.165]
DC	67.5 [2.657]	72.0 [2.835]	72.0 [2.835]	77.0 [3.031]	85.5 [3.366]	90.5 [3.563]	90.3 [3.555]	95.3 [3.752]
R	1.6 [0.063]		1.6 [0.063]		2.5 [0.098]		2.5 [0.098]	

For ANSI B92.1-1970 class 5 shaft used in combination with DIN flanges, please contact your local Danfoss Power Solutions representative.

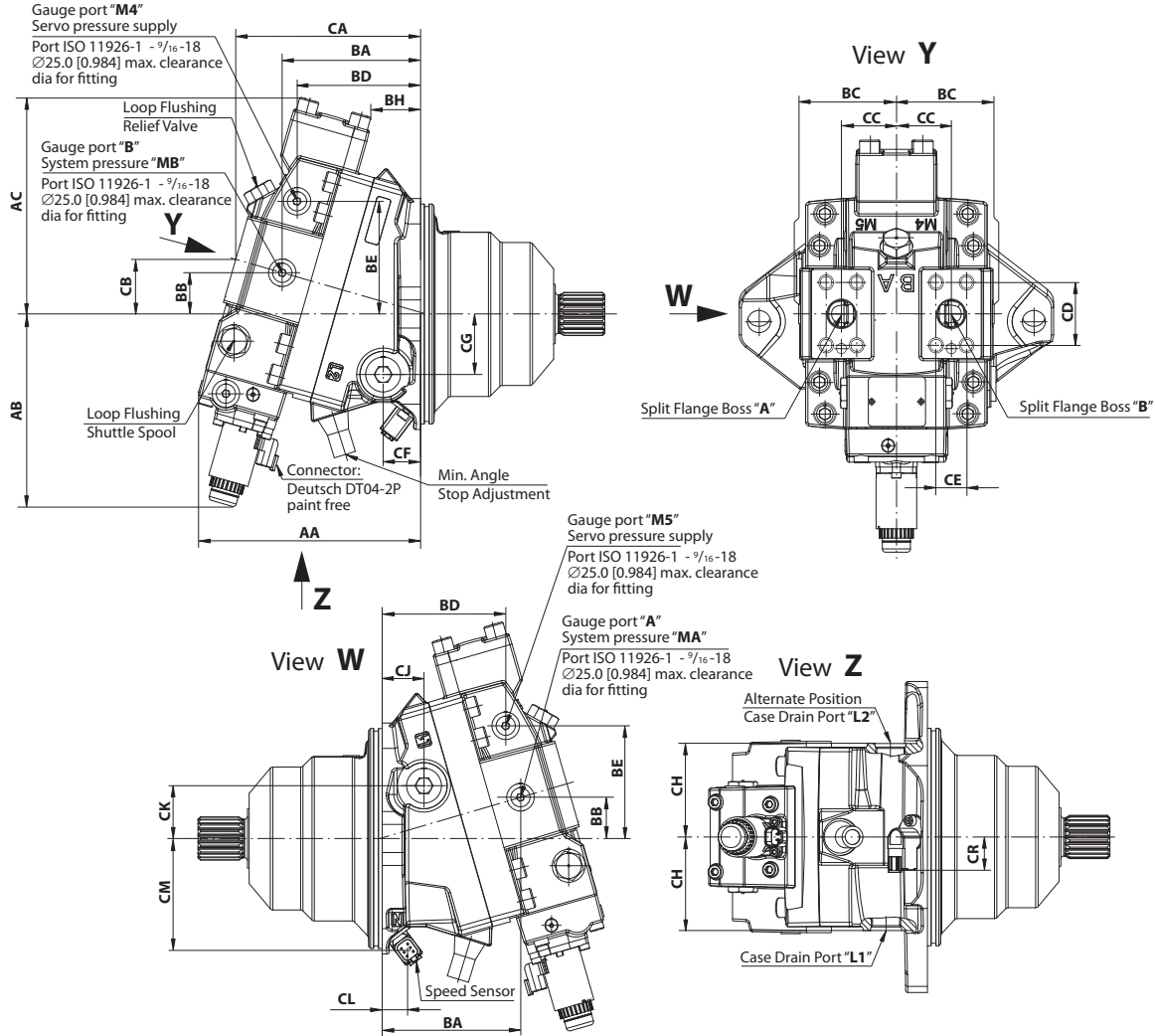
Notes

General Dimensions

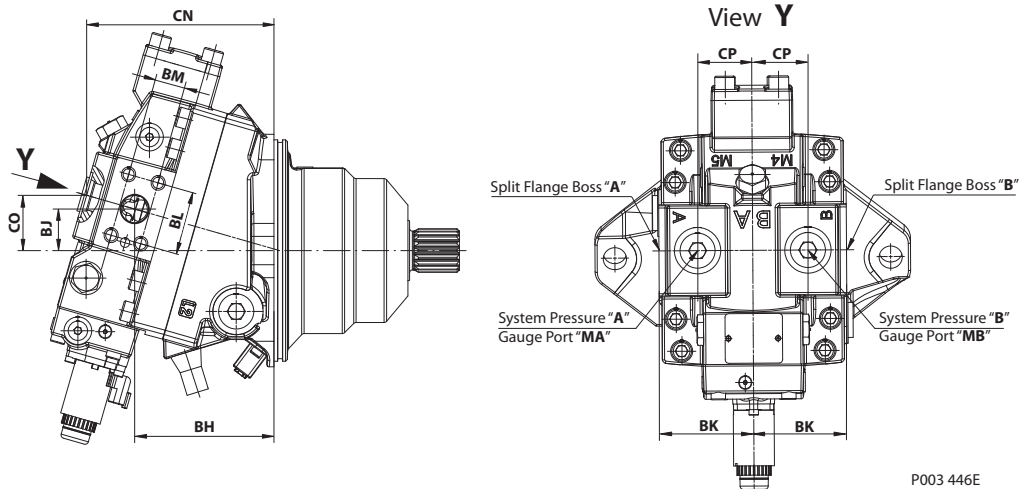
Cartridge Flange Design, Proportional Control, Option L*

Axial Ports

mm
[in]



Radial Ports



P003 446E

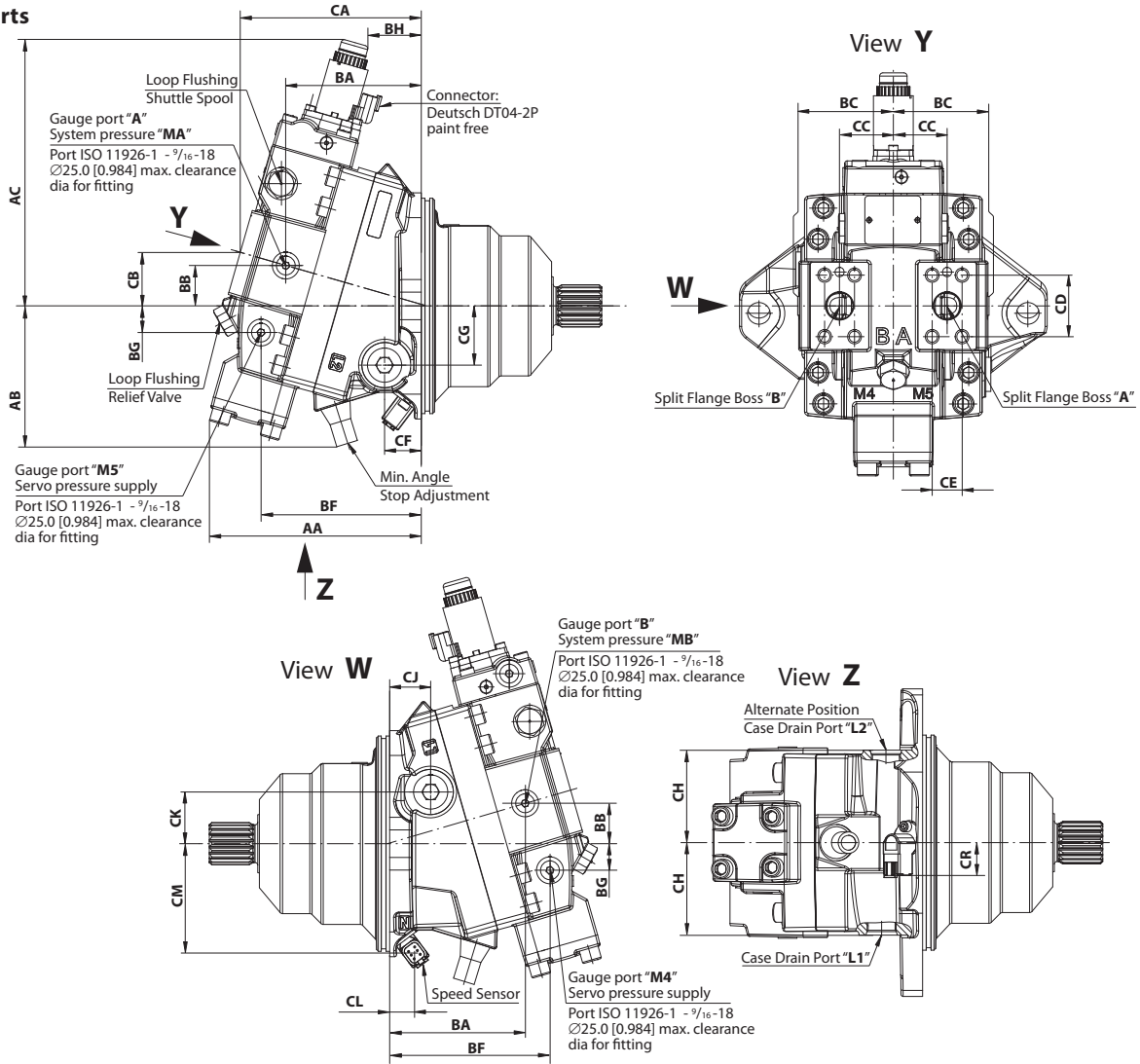
General Dimensions
**Cartridge Flange Design,
Proportional Control,
Option L***
Dimensions mm [in]

Frame size	060	080	110	160
<i>Axial and radial ports</i>				
AA	188.1 [7.41]	187.5 [7.38]	201.9 [7.95]	229.3 [9.03]
AB	164.7 [6.48]	170.6 [6.72]	175.0 [6.89]	183.8 [7.24]
AC	167.5 [6.59]	179.9 [7.08]	196.9 [7.75]	219.7 [8.65]
BA	120.6 [4.75]	116.4 [4.58]	125.8 [4.95]	149.6 [5.89]
BB	32.3 [1.27]	34.7 [1.37]	37.5 [1.49]	42.0 [1.65]
BC	74.4 [2.93]	78.4 [3.09]	88.9 [3.50]	99.9 [3.93]
BD	106.8 [4.20]	101.5 [4.00]	112.4 [4.43]	133.6 [5.26]
BE	84.0 [3.30]	92.4 [3.64]	102.5 [4.04]	115.4 [4.54]
BH	43.0 [1.69]	37.0 [1.46]	46.0 [1.81]	64.0 [2.52]
CA	159.5 [6.28]	156.3 [6.15]	168.1 [6.62]	192.6 [7.58]
CB	43.4 [1.71]	46.2 [1.82]	49.6 [1.95]	54.4 [2.14]
CC	48.0 [1.89]	50.0 [1.97]	50.0 [1.97]	60.0 [2.36]
CD	50.8 [2.00]	57.2 [2.25]	57.2 [2.25]	66.6 [2.62]
CE	23.8 [0.94]	27.8 [1.09]	27.8 [1.09]	31.8 [1.25]
CF	32.2 [1.27]	31.0 [1.22]	34.1 [1.34]	51.8 [2.04]
CG	44.0 [1.73]	56.8 [2.24]	55.0 [2.17]	50.0 [1.97]
CH	75.0 [2.95]	78.0 [3.07]	86.0 [3.39]	97.0 [3.82]
CJ	44.2 [1.74]	36.0 [1.42]	38.1 [1.50]	52.8 [2.09]
CK	35.0 [1.38]	46.0 [1.81]	47.9 [1.89]	51.0 [2.01]
CL	26.1 [1.03]	21.5 [0.85]	22.9 [0.90]	25.1 [0.99]
CM	74.8 [2.94]	74.4 [2.93]	79.0 [3.11]	87.7 [3.45]
CR	68.4 [2.69]	68.2 [2.69]	70.4 [2.77]	74.4 [2.93]
α	25°			
Case drain port "L1"/"L2"	Port ISO 11926-1 7/8-14 Ø42.0 [1.65] max. clearance DIA for fitting	Port ISO 11926-1 7/8-14 Ø42.0 [1.65] max. clearance DIA for fitting	Port ISO 11926-1 1 1/16-12 Ø48.5 [1.91] max. clearance DIA for fitting	Port ISO 11926-1 1 1/16-12 Ø48.5 [1.91] max. clearance DIA for fitting
Split flange boss "A"/"B"	DN 19 typ I 40MPa series per ISO 6162 thread: M10x1.5 18.0 [0.71] full thread depth	DN 25 typ I 40MPa series per ISO 6162 thread: M12x1.75 23.0 [0.91] full thread depth	DN 25 typ I 40MPa series per ISO 6162 thread: M12x1.75 23.0 [0.91] full thread depth	DN 32 typ I 40MPa series per ISO 6162 thread: M12x1.75 23.0 [0.91] full thread depth
<i>Radial ports</i>				
BH	120.6 [4.75]	116.4 [4.58]	125.8 [4.95]	149.6 [5.89]
BJ	32.3 [1.27]	34.7 [1.37]	37.5 [1.48]	42.0 [1.65]
BK	69.5 [2.74]	75.2 [2.96]	85.0 [3.35]	96.0 [3.78]
BL	50.8 [2.00]	57.2 [2.25]	57.2 [2.25]	66.6 [2.62]
BM	23.8 [0.94]	27.8 [1.09]	27.8 [1.09]	31.8 [1.25]
CN	160.6 [6.32]	156.3 [6.15]	169.1 [6.66]	193.6 [7.62]
CO	43.7 [1.72]	46.2 [1.82]	49.9 [1.96]	54.6 [2.15]
CP	48.0 [1.89]	50.0 [1.97]	50.0 [1.97]	60.0 [2.36]
System pressure "A"/"B" Gauge port "MA"/"MB"	Port ISO 11926-1 7/8-12 Ø34.0 [1.34] max. clearance DIA for fitting	Port ISO 11926-1 1 1/16-12 Ø42.0 [1.65] max. clearance DIA for fitting	Port ISO 11926-1 1 1/16-12 Ø42.0 [1.65] max. clearance DIA for fitting	Port ISO 11926-1 1 1/16-12 Ø42.0 [1.65] max. clearance DIA for fitting
Split flange boss "A"/"B"	DN 19 typ I 40MPa series per ISO 6162 thread: M10x1.5 18.0 [0.71] full thread depth	DN 25 typ I 40MPa series per ISO 6162 thread: M12x1.75 23.0 [0.91] full thread depth	DN 25 typ I 40MPa series per ISO 6162 thread: M12x1.75 23.0 [0.91] full thread depth	DN 32 typ I 40MPa series per ISO 6162 thread: M12x1.75 23.0 [0.91] full thread depth

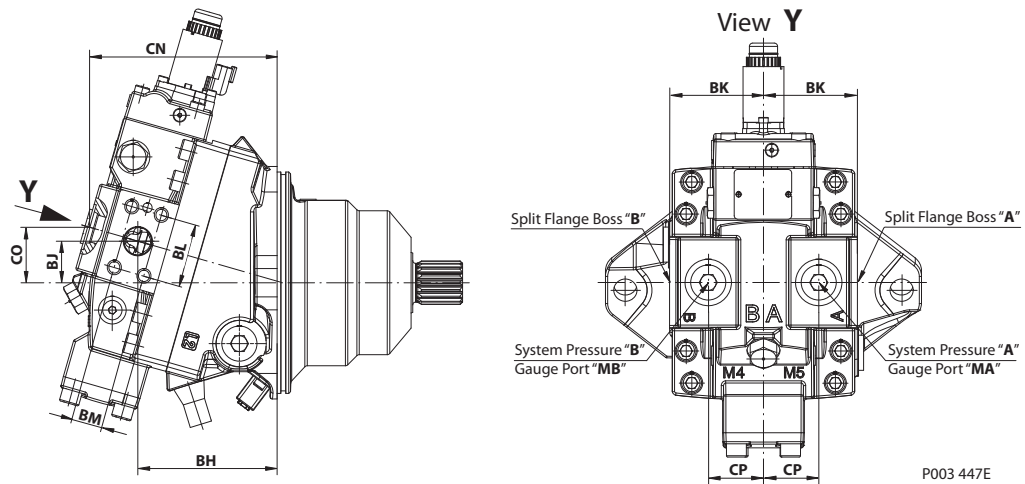
General Dimensions

Cartridge Flange Design, Proportional Control, Option M*

Axial Ports



Radial Ports



P003 447E

General Dimensions
**Cartridge Flange Design,
Proportional Control,
Option M***
Dimensions mm [in]

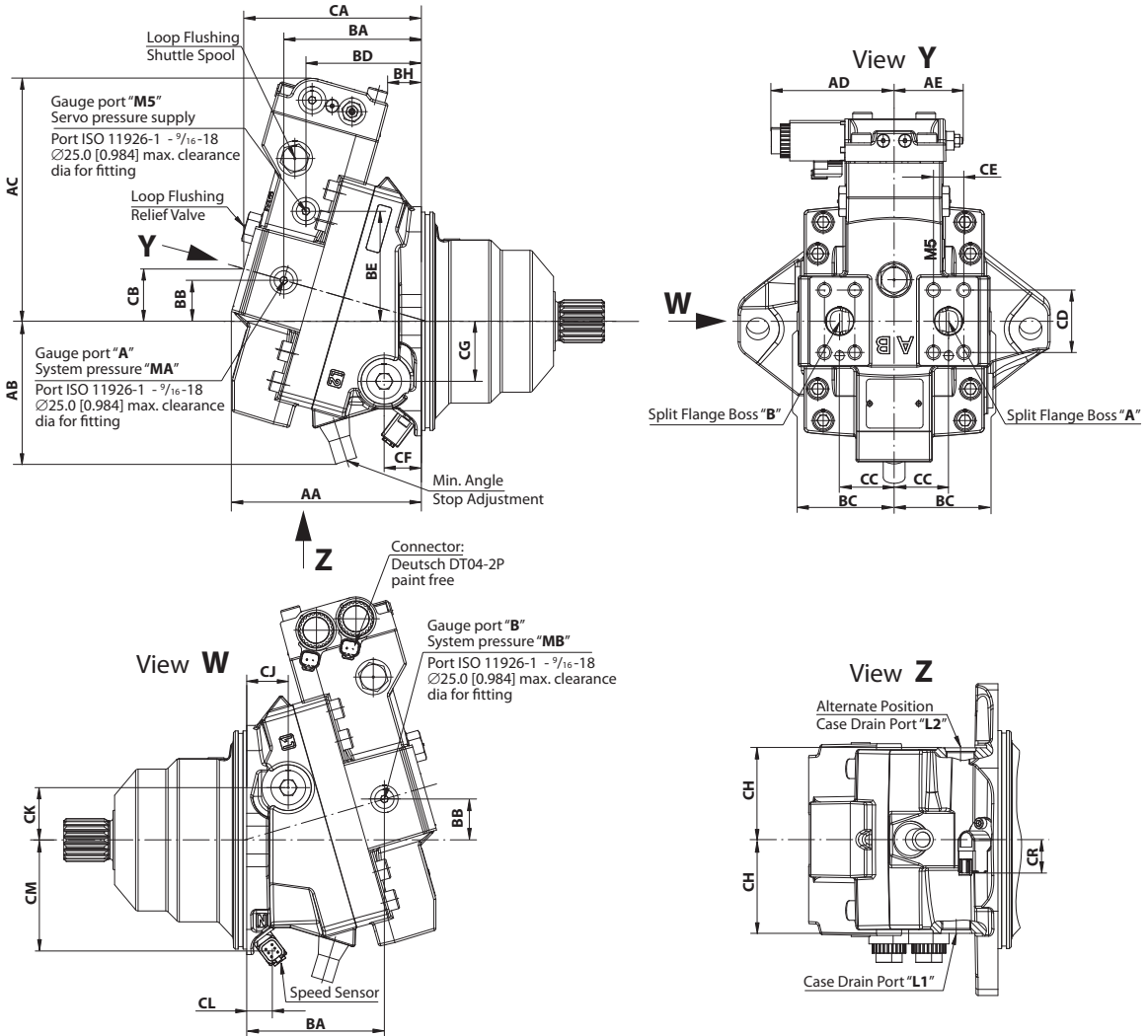
Frame size	060	080	110	160
<i>Axial and radial ports</i>				
AA	180.8 [7.12]	180.8 [7.12]	196.5 [7.74]	225.4 [8.87]
AB	114.7 [4.52]	119.4 [4.70]	130.8 [5.15]	138.2 [5.44]
AC	224.2 [8.83]	235.7 [9.28]	247.2 [9.73]	265.0 [10.43]
BA	120.6 [4.75]	116.4 [4.58]	125.8 [4.95]	149.6 [5.89]
BB	32.3 [1.27]	34.7 [1.37]	37.5 [1.48]	42.0 [1.65]
BC	74.4 [2.93]	78.4 [3.09]	88.9 [3.50]	99.9 [3.93]
BF	136.3 [5.37]	134.3 [5.29]	148.9 [5.86]	174.9 [6.89]
BG	18.9 [0.74]	22.0 [0.87]	24.8 [0.98]	28.6 [1.13]
BH	32.0 [1.26]	27.0 [1.06]	36.0 [1.42]	56.0 [2.20]
CA	159.9 [6.30]	156.3 [6.15]	168.1 [6.62]	192.6 [7.58]
CB	43.3 [1.71]	46.2 [1.82]	49.6 [1.95]	54.4 [2.14]
CC	48.0 [1.89]	50.0 [1.97]	50.0 [1.97]	60.0 [2.36]
CD	50.8 [2.00]	57.2 [2.25]	57.2 [2.25]	66.6 [2.62]
CE	23.8 [0.94]	27.8 [1.09]	27.8 [1.09]	31.8 [1.25]
CF	32.2 [1.27]	31.0 [1.22]	34.1 [1.34]	51.8 [2.04]
CG	44.0 [1.73]	56.8 [2.24]	55.0 [2.17]	50.0 [1.97]
CH	75.0 [2.95]	78.0 [3.07]	86.0 [3.39]	97.0 [3.82]
CJ	44.2 [1.74]	36.0 [1.42]	38.1 [1.50]	52.8 [2.09]
CK	35.0 [1.38]	46.0 [1.81]	47.9 [1.89]	51.0 [2.01]
CL	26.1 [1.03]	21.5 [0.85]	22.9 [0.90]	25.1 [0.99]
CM	74.8 [2.94]	74.4 [2.93]	79.0 [3.11]	87.7 [3.45]
CR	68.4 [2.69]	68.2 [2.69]	70.4 [2.77]	30.0 [1.18]
α	25°			
Case drain port "L1"/"L2"	Port ISO 11926-1 7/8-14 Ø42.0 [1.65] max. clearance DIA for fitting	Port ISO 11926-1 7/8-14 Ø42.0 [1.65] max. clearance DIA for fitting	Port ISO 11926-1 1 1/16-12 Ø48.5 [1.91] max. clearance DIA for fitting	Port ISO 11926-1 1 1/16-12 Ø48.5 [1.91] max. clearance DIA for fitting
Split flange boss "A"/"B"	DN 19 typ I 40MPa series per ISO 6162 thread: M10x1.5 18.0 [0.71] full thread depth	DN 25 typ I 40MPa series per ISO 6162 thread: M12x1.75 23.0 [0.91] full thread depth	DN 25 typ I 40MPa series per ISO 6162 thread: M12x1.75 23.0 [0.91] full thread depth	DN 32 typ I 40MPa series per ISO 6162 thread: M12x1.75 23.0 [0.91] full thread depth
<i>Radial Ports</i>				
BH	126.6 [4.75]	116.4 [4.58]	125.8 [4.95]	149.6 [5.89]
BJ	32.3 [1.27]	34.7 [1.37]	37.5 [1.48]	42.0 [1.65]
BK	69.5 [2.74]	75.2 [2.96]	85.0 [3.35]	96.0 [3.78]
BL	50.8 [2.00]	57.2 [2.25]	57.2 [2.25]	66.6 [2.62]
BM	23.8 [0.94]	27.8 [1.09]	27.8 [1.09]	31.8 [1.25]
CN	160.6 [6.32]	156.3 [6.15]	169.1 [6.66]	193.6 [7.62]
CO	43.7 [1.72]	46.2 [1.82]	49.9 [1.96]	54.6 [2.15]
CP	48.0 [1.89]	50.0 [1.97]	50.0 [1.97]	60.0 [2.36]
System pressure "A"/"B" Gauge port "MA"/"MB"	Port ISO 11926-1 7/8-12 Ø34.0 [1.34] max. clearance DIA for fitting	Port ISO 11926-1 1 1/16-12 Ø42.0 [1.65] max. clearance DIA for fitting	Port ISO 11926-1 1 1/16-12 Ø42.0 [1.65] max. clearance DIA for fitting	Port ISO 11926-1 1 1/16-12 Ø42.0 [1.65] max. clearance DIA for fitting
Split flange boss "A"/"B"	DN 19 typ I 40MPa series per ISO 6162 thread: M10x1.5 18.0 [0.71] full thread depth	DN 25 typ I 40MPa series per ISO 6162 thread: M12x1.75 23.0 [0.91] full thread depth	DN 25 typ I 40MPa series per ISO 6162 thread: M12x1.75 23.0 [0.91] full thread depth	DN 32 typ I 40MPa series per ISO 6162 thread: M12x1.75 23.0 [0.91] full thread depth

General Dimensions

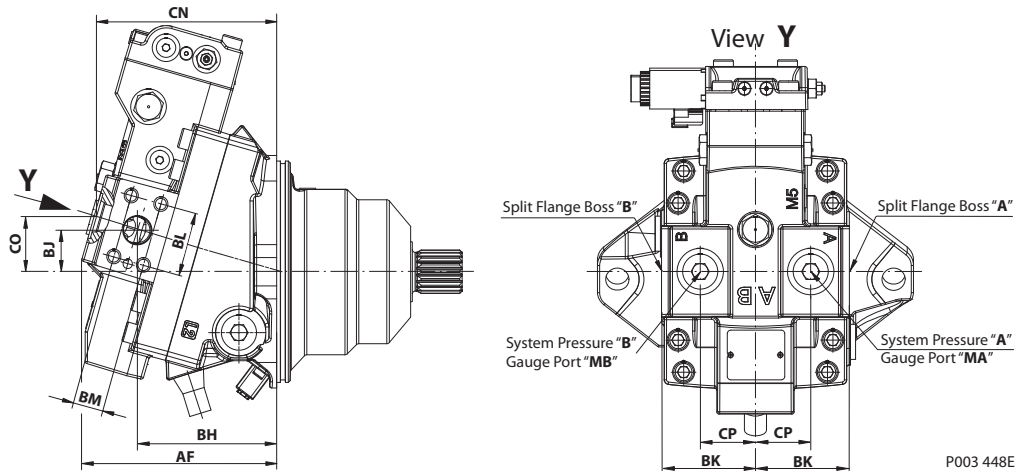
Cartridge Flange Design, Two Position Control, Pressure Compensator Override, Electric Brake Pressure Defeat, Option T* D* and P* D*

Axial Ports

mm
[in]



Radial Ports



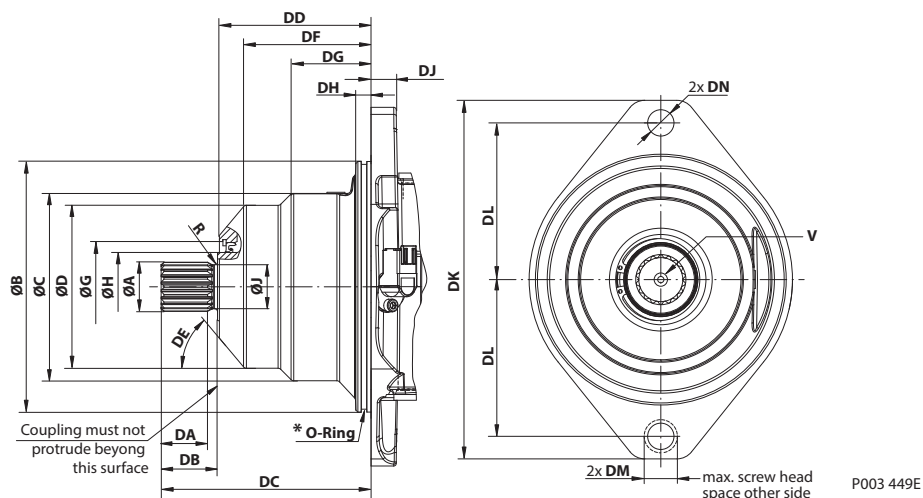
P003 448E

General Dimensions

**Cartridge Flange Design,
Two Position Control,
Pressure Compensator
Override,
Electric Brake Pressure
Defeat,
Option T* D* and P* D***

Dimensions mm [in]

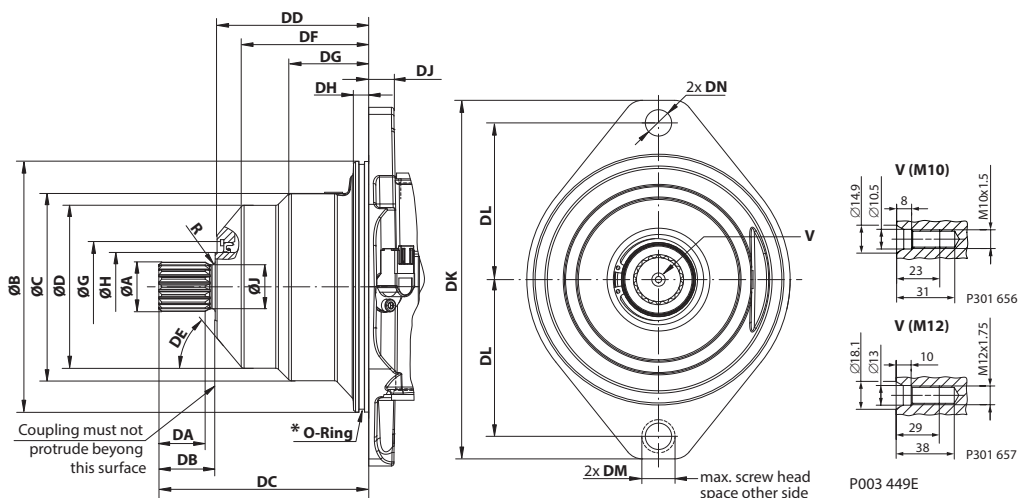
Frame size	060		080		110		160	
<i>Axial and radial ports</i>								
AA	158.9	[6.26]	159.0	[6.26]	173.5	[6.83]	200.6	[7.90]
AB	114.7	[4.52]	119.4	[4.70]	130.8	[5.14]	138.2	[5.44]
AC	193.6	[7.62]	206.6	[8.13]	224.1	[8.82]	242.5	[9.55]
AD	112.7	[4.44]	112.7	[4.44]	112.7	[4.44]	112.7	[4.44]
AE	67.3 max.	[2.65 max.]	67.3 max.	[2.65 max.]	67.3 max.	[2.65 max.]	67.3 max.	[2.65 max.]
BA	120.9	[4.76]	116.7	[4.59]	125.8	[4.95]	149.6	[5.89]
BB	32.3	[1.27]	34.7	[1.37]	37.5	[1.48]	42.0	[1.65]
BC	74.4	[2.93]	78.4	[3.09]	88.9	[3.50]	99.9	[3.93]
BD	105.6	[4.16]	95.6	[3.76]	105.5	[4.15]	129.7	[5.11]
BE	83.8	[3.30]	90.6	[3.57]	100.9	[3.97]	111.7	[4.40]
BH	29.0	[1.14]	20.0	[0.79]	31.0	[1.22]	50.0	[1.97]
CA	149.6	[5.89]	147.8	[5.82]	162.3	[6.39]	184.6	[7.27]
CB	40.6	[1.60]	43.7	[1.72]	48.0	[1.89]	52.1	[2.05]
CC	48.0	[1.89]	50.0	[1.97]	50.0	[1.97]	60.0	[2.36]
CD	50.8	[2.00]	57.2	[2.25]	57.2	[2.25]	66.6	[2.62]
CE	23.8	[0.94]	27.8	[1.09]	27.8	[1.09]	31.8	[1.25]
CF	32.2	[1.27]	31.0	[1.22]	34.1	[1.34]	51.8	[2.04]
CG	44.0	[1.73]	56.8	[2.24]	55.0	[2.17]	50.0	[1.97]
CH	75.0	[2.95]	78.0	[3.07]	86.0	[3.39]	97.0	[3.82]
CJ	44.2	[1.74]	36.0	[1.42]	38.1	[1.50]	52.8	[2.09]
CK	35.0	[1.38]	46.0	[1.81]	47.9	[1.89]	51.0	[2.01]
CL	26.1	[1.03]	21.5	[0.85]	22.9	[0.90]	25.1	[0.99]
CM	74.8	[2.94]	74.4	[2.93]	79.0	[3.11]	87.7	[3.45]
CR	68.4	[2.69]	68.2	[2.69]	70.4	[2.77]	30.0	[1.18]
α	25°							
Case drain port "L1"/"L2"	Port ISO 11926-1 7/8-14 Ø42.0 [1.65] max. clearance DIA for fitting		Port ISO 11926-1 7/8-14 Ø42.0 [1.65] max. clearance DIA for fitting		Port ISO 11926-1 1 1/16-12 Ø48.5 [1.91] max. clearance DIA for fitting		Port ISO 11926-1 1 1/16-12 Ø48.5 [1.91] max. clearance DIA for fitting	
Split flange boss "A"/"B"	DN 19 typ I 40MPa series per ISO 6162 thread: M10x1.5 18.0 [0.71] full thread depth		DN 25 typ I 40MPa series per ISO 6162 thread: M12x1.75 23.0 [0.91] full thread depth		DN 25 typ I 40MPa series per ISO 6162 thread: M12x1.75 23.0 [0.91] full thread depth		DN 32 typ I 40MPa series per ISO 6162 thread: M12x1.75 23.0 [0.91] full thread depth	
<i>Radial ports</i>								
AF	161.1	[6.34]	161.1	[6.34]	175.9	[6.93]	200.6	[7.90]
BH	120.9	[4.76]	116.4	[4.58]	125.8	[4.95]	149.6	[5.89]
BJ	32.3	[1.27]	34.7	[1.37]	37.5	[1.48]	42.0	[1.65]
BK	69.5	[2.74]	75.2	[2.96]	85.0	[3.35]	96.0	[3.78]
BL	50.8	[2.00]	57.2	[2.25]	57.2	[2.25]	66.6	[2.62]
BM	23.8	[0.94]	27.8	[1.09]	27.8	[1.09]	31.8	[1.25]
CN	149.9	[5.90]	148.2	[5.83]	163.3	[6.43]	184.6	[7.27]
CO	40.7	[1.60]	43.8	[1.72]	48.2	[1.90]	52.3	[2.06]
CP	48.0	[1.89]	50.0	[1.97]	50.0	[1.97]	60.0	[2.36]
System pressure "A"/"B" Gauge port "MA"/"MB"	Port ISO 11926-1 7/8-12 Ø34.0 [1.34] max. clearance DIA for fitting		Port ISO 11926-1 1 1/16-12 Ø42.0 [1.65] max. clearance DIA for fitting		Port ISO 11926-1 1 1/16-12 Ø42.0 [1.65] max. clearance DIA for fitting		Port ISO 11926-1 1 1/16-12 Ø42.0 [1.65] max. clearance DIA for fitting	
Split flange boss "A"/"B"	DN 19 typ I 40MPa series per ISO 6162 thread: M10x1.5 18.0 [0.71] full thread depth		DN 25 typ I 40MPa series per ISO 6162 thread: M12x1.75 23.0 [0.91] full thread depth		DN 25 typ I 40MPa series per ISO 6162 thread: M12x1.75 23.0 [0.91] full thread depth		DN 32 typ I 40MPa series per ISO 6162 thread: M12x1.75 23.0 [0.91] full thread depth	

General Dimensions
Cartridge Flange and Shaft Design

Flange dimensions mm [in]

Frame size	060	080	110	160
Size	Mounting flange surface Cartridge flange	Mounting flange surface Cartridge flange	Mounting flange surface Cartridge flange	Mounting flange surface Cartridge flange
ØB	160.0 [6.299]	190.0 [7.480]	200.0 [7.874]	200.0 [7.874]
ØC	121.0 [4.764]	134.0 [5.276]	150.0 [5.905]	170.0 [6.693]
ØD	104.0 [4.094]	116.0 [4.567]	130.0 [5.118]	146.0 [5.748]
ØG	62.0 [2.441]	62.0 [2.441]	72.0 [2.835]	72.0 [2.835]
DE	53°	54°	40°	45°
DD	90.4 [3.559]	109.2 [4.299]	121.0 [4.764]	121.0 [4.772]
DF	71.1 [2.799]	80.9 [3.185]	101.8 [4.008]	98.0 [3.858]
DG	40.7 [1.602]	56.6 [2.228]	63.8 [2.512]	61.5 [2.423]
DH	12.6 [0.496]	11.2 [0.441]	11.2 [0.441]	11.2 [0.441]
DJ	16.2 [0.638]	18.0 [0.709]	20.1 [0.791]	20.0 [0.787]
DK	235.0 [9.252]	260.0 [10.236]	286.0 [11.260]	286.0 [11.260]
DL	100.0 [3.937]	112.0 [4.409]	125.0 [4.921]	125.0 [4.921]
DM	30.0 [1.181]	30.0 [1.181]	30.0 [1.181]	30.0 [1.181]
DN	17.0 [0.669]	21.0 [0.827]	21.0 [0.827]	21.0 [0.827]
* O-Ring	3.00x150.00 [0.12x 5.91]	3.00x185.00 [0.12x 7.28]	3.00x192.00 [0.12x 7.559]	3.00x192.00 [0.12x 7.529]
Material number	726927	916759	502206	502206

* Is not part of the shipment

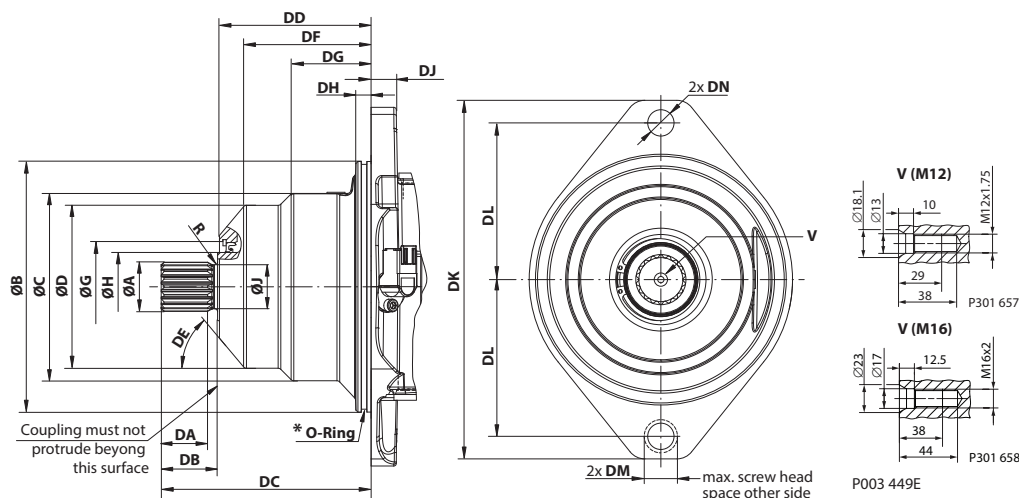
Motor installations will vary by application - it is the customer's responsibility to evaluate each application for proper mounting and sealing.

General Dimensions
Cartridge Flange and Shaft Design (continued)

Shaft dimensions mm [in]

Frame size Shaft opt.	060			
	AN/AS	BN/BS	GN/GS	HN/HS
Teeth	14	21	14	16
Module	12/24	16/32	-	-
Pressure angle	30°			
Pitch-Ø	29.633 [1.167]	33.337 [1.312]	28.000 [1.102]	32.000 [1.260]
Spline	ANSI B92.1-1970 Class 5 flat rood side fit		W30x2x30x14x9g side fit DIN 5480	W35x2x30x 16x9g side fit DIN 5480
V	M10			
ØA	31.2 [1.228]	34.4 [1.315]	29.6 [1.165]	34.6 [1.362]
ØH	44.5 [1.752]			
ØJ	25.8 [1.016]	30.0 [1.181]	25.0 [0.984]	30.0 [1.181]
DA	37.5 [1.476]		27.0 [1.063]	32.0 [1.260]
DB	47.5 [1.870]		35.0 [1.378]	40.0 [1.575]
DC	139.7 [5.500]		127.2[5.008]	132.2 [5.205]
R	3.0 [0.118]		1.6 [0.063]	

Shaft dimensions mm [in]

Frame size Shaft opt.	080				
	AN/AS	BN/BS	CN/CS	HN/HS	JN/JS
Teeth	14	21	23	16	18
Module	12/24	16/32	16/32	-	-
Pressure angle	30°				
Pitch-Ø	29.633 [1.167]	33.337 [1.312]	36.513 [1.438]	32.000 [1.260]	36.000 [1.417]
Spline	ANSI B92.1-1970 Class 5 flat rood side fit			W35x2x30x 16x9g side fit DIN 5480	W40x2x30x 18x9g side fit DIN 5480
V	M10		M12	M10	M12
ØA	31.2 [1.228]	34.4 [1.315]	37.61[1.480]	34.6 [1.362]	39.6 [1.559]
ØH	44.5 [1.752]				
ØJ	25.8 [1.016]	30.0 [1.181]	32.0[1.260]	30.0 [1.181]	35.0 [1.378]
DA	37.5 [1.476]			32.0 [1.260]	37.0 [1.457]
DB	47.5 [1.870]			40.0 [1.575]	45.0 [1.772]
DC	139.7 [5.500]			150.4 [5.921]	155.4 [6.118]
R	3.0 [0.118]			1.6 [0.063]	

General Dimensions
Cartridge Flange and Shaft Design

Shaft dimensions mm [in]

Frame size Shaft opt.	110			
	DN/DS	EN/ES	JN/JS	KN/KS
Teeth	27	13	18	21
Module	16/32	8/16	-	-
Pressure angle	30°			
Pitch-Ø	42.862 [1.687]	41.275 [1.625]	36.000 [1.417]	42.000 [1.654]
Spline	ANSI B92.1-1970 Class 5 flat rood side fit		W40x2x30x 18x9g side fit DIN 5480	W45x2x30x 21x9g side fit DIN 5480
V	M16	M12	M12	M16
ØA	44.0 [1.732]	43.6 [1.717]	39.6 [1.559]	44.6 [1.756]
ØH	55.0 [2.165]			
ØJ	39.6 [1.559]	36.0 [1.417]	35.0 [1.378]	40.0 [1.575]
DA	55.0 [2.165]		37.0 [1.457]	42.0 [1.654]
DB	67.0 [2.638]		45.0 [1.772]	50.0 [1.968]
DC	189.5 [7.461]		155.4 [6.118]	172.5 [6.791]
R	3.0 [0.118]		2.5 [0.098]	

Shaft dimensions mm [in]

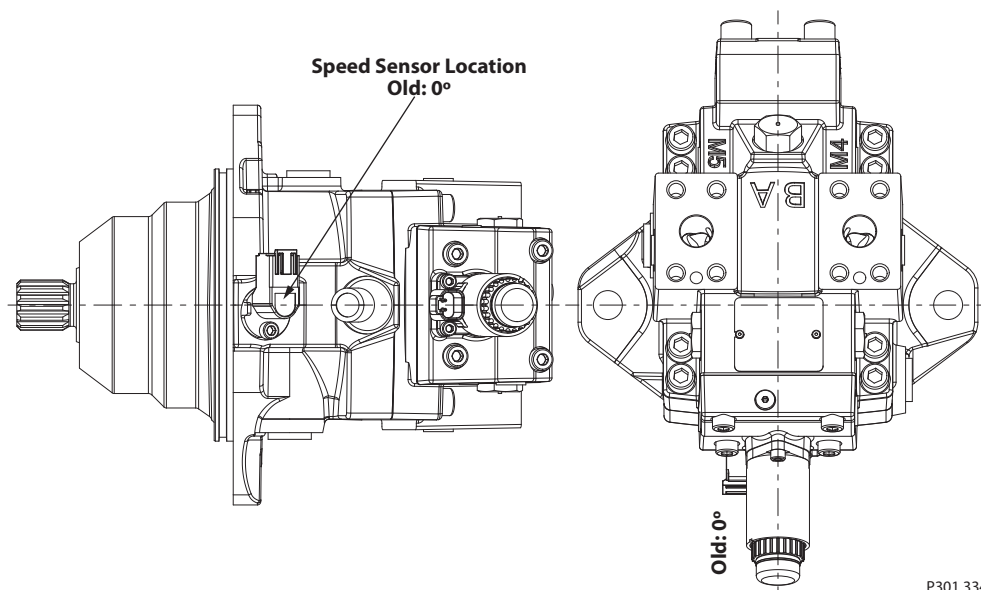
Frame size Shaft opt.	160				
	DN/DS	EN/ES	FN/FS	KN/KS	LN/LS
Teeth	27	13	15	21	24
Module	16/32	8/16	16/32	-	-
Pressure angle	30°				
Pitch-Ø	42.862 [1.687]	41.275 [1.625]	47.625 [1.875]	42.000 [1.654]	48.000 [1.890]
Spline	ANSI B92.1-1970 Class 5 flat rood side fit			W45x2x 30x21x9g side fit DIN 5480	W50x2x 30x24x9g side fit DIN 5480
V	M16	M12	M16		
ØA	44.0 [1.732]	43.6 [1.717]	50.0 [1.968]	44.6 [1.756]	49.6 [1.953]
ØH	55.0 [2.165]				
ØJ	39.6 [1.559]	36.0 [1.417]	42.2 [1.661]	40.0 [1.575]	45.0 [1.772]
DA	55.0 [2.165]		53.0 [2.087]	42.0 [1.654]	47.0 [1.850]
DB	67.0 [2.638]			50.0 [1.968]	55.0 [2.165]
DC	189.7 [7.469]			172.7 [6.799]	177.7 [6.996]
R	3.0 [0.118]			2.5 [0.098]	2.5 [0.098]

General Dimensions

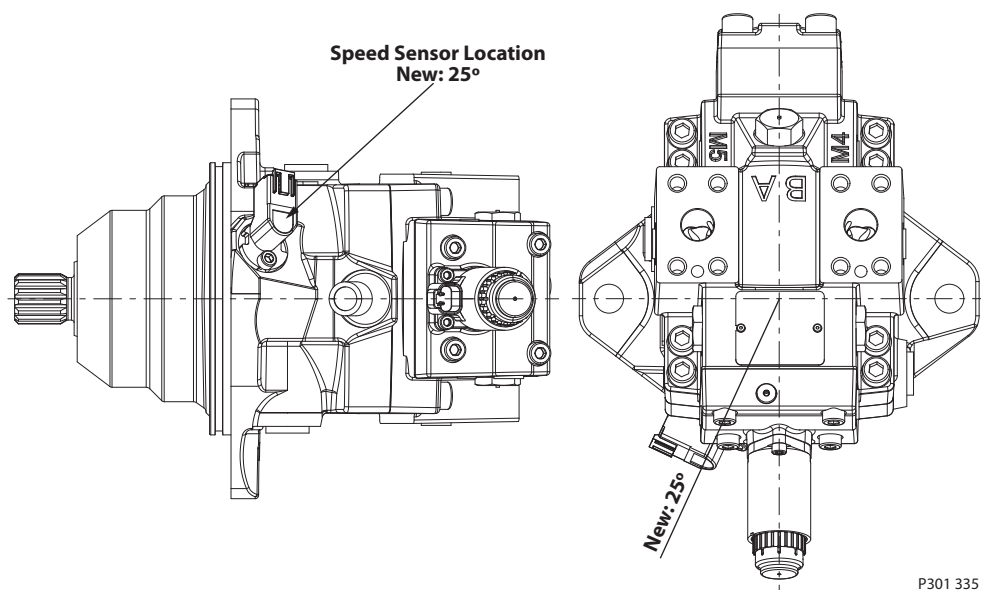
H1B Cartridge Motors with Speed Sensor

To eliminate potential interference between the speed sensor and some gearbox parking brake ports, we have made a slight modification to the speed sensor location. The speed sensor location was rotated by 25° to eliminate the potential interference.

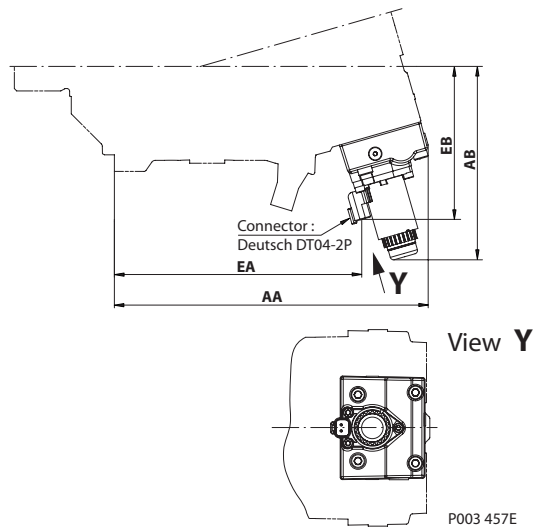
<i>Size</i>	<i>Date of introduction</i>
060 cm ³	May 15, 2011
080 cm ³	August 1, 2011
110 cm ³	June 1, 2011
160 cm ³	March 30, 2011
250 cm ³	June 1, 2013



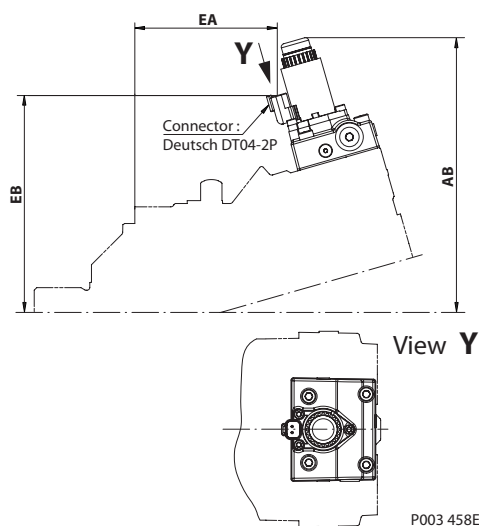
P301 334



P301 335

**General Dimensions
– Controls**
**Electric Proportional
Control
Options L1BA, L2BA**

Dimensions mm [in]

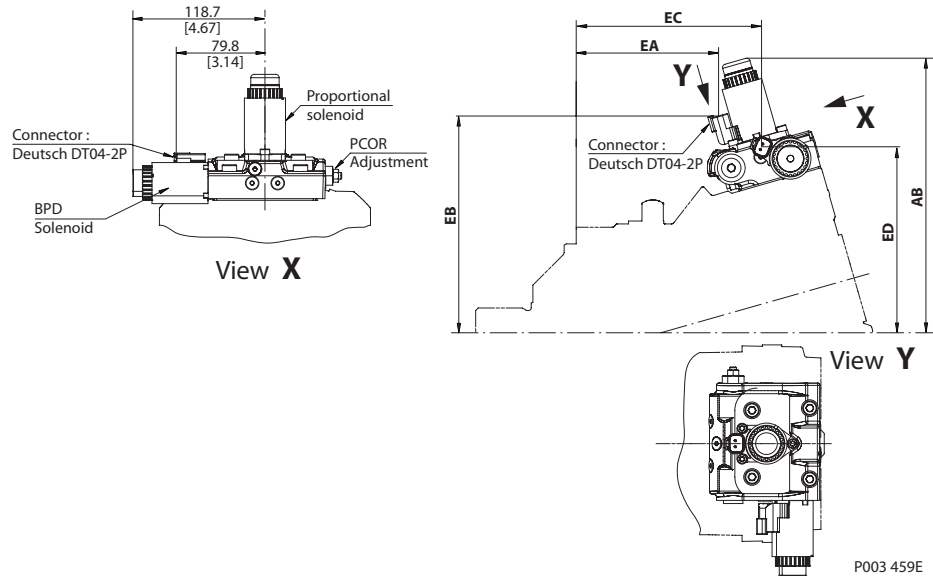
	DIN 125 B4 HL per ISO 3019/2		SAE 127-4 per ISO 3019/1		Cartridge 160	
Size 060	DIN 125 B4 HL per ISO 3019/2		SAE 127-4 per ISO 3019/1		Cartridge 160	
AA	247.8	[9.76]	272.3	[10.72]	188.1	[7.41]
AB	164.7	[6.48]	164.7	[6.48]	164.7	[6.48]
EA	187.7	[7.39]	212.2	[8.35]	128.0	[5.04]
EB	128.1	[5.04]	128.1	[5.04]	128.1	[5.04]
Size 080	DIN 140 B4 HL per ISO 3019/2		SAE 127-4 per ISO 3019/1		Cartridge 190	
AA	265.9	[10.47]	289.9	[11.41]	187.5	[7.38]
AB	170.6	[6.72]	170.6	[6.72]	170.6	[6.72]
EA	205.8	[8.10]	229.8	[9.05]	127.4	[5.02]
EB	134.0	[5.28]	134.0	[5.28]	134.0	[5.28]
Size 110	DIN 160 B4 HL per ISO 3019/2		SAE 152-4 per ISO 3019/1		Cartridge 200	
AA	283.9	[11.18]	316.4	[12.46]	201.9	[7.95]
AB	175.0	[6.89]	175.0	[6.89]	175.0	[6.89]
EA	223.8	[8.81]	256.3	[10.09]	141.8	[5.58]
EB	138.4	[5.45]	138.4	[5.45]	138.4	[5.45]
Size 160	DIN 180 B4 HL per ISO 3019/2		SAE 152-4 per ISO 3019/1		Cartridge 200	
AA	311.7	[12.27]	343.8	[13.53]	229.3	[9.03]
AB	183.8	[7.24]	183.8	[7.24]	183.8	[7.24]
EA	251.6	[9.91]	283.5	[11.16]	169.2	[6.66]
EB	147.1	[5.79]	147.1	[5.79]	147.1	[5.79]
Size 250			SAE 165-4 per ISO 3019/1			
AA			387.0	[15.24]		
AB			197.0	[7.76]		
EA			327.0	[12.87]		
EB			160.0	[6.30]		

**General Dimensions
– Controls**
**Electric Proportional
Control
Options M1CA, M2CA**

Dimensions mm [in]

		Flange style			
Size 060	DIN 125 B4 HL per ISO 3019/2	SAE 127-4 per ISO 3019/1		Cartridge 160	
AB	224.2 [8.83]	224.2	[8.83]	224.2	[8.83]
EA	101.6 [4.00]	126.1	[4.96]	41.9	[1.65]
EB	172.2 [6.78]	172.2	[6.78]	172.2	[6.78]
Size 080	DIN 140 B4 HL per ISO 3019/2	SAE 127-4 per ISO 3019/1		Cartridge 190	
AB	235.7 [9.28]	235.7	[9.28]	235.7	[9.28]
EA	114.8 [4.52]	138.8	[5.46]	36.4	[1.43]
EB	183.6 [7.23]	183.6	[7.23]	183.6	[7.23]
Size 110	DIN 160 B4 HL per ISO 3019/2	SAE 152-4 per ISO 3019/1		Cartridge 200	
AB	247.2 [9.73]	247.2	[9.73]	247.2	[9.73]
EA	128.2 [5.05]	160.7	[6.33]	46.2	[1.82]
EB	195.1 [7.68]	195.1	[7.68]	195.1	[7.68]
Size 160	DIN 180 B4 HL per ISO 3019/2	SAE 152-4 per ISO 3019/1		Cartridge 200	
AB	265.0 [10.43]	265.0	[10.43]	265.0	[10.43]
EA	148.5 [5.85]	180.4	[7.10]	66.1	[2.60]
EB	212.8 [8.38]	212.8	[8.38]	212.8	[8.38]
Size 250		SAE 165-4 per ISO 3019/1			
AB		290.0	[11.42]		
EA		213.0	[8.39]		
EB		238.0	[9.37]		

**General Dimensions
– Controls**

Electric Proportional Control with Pressure Compensator OverRide (PCOR) and Electric Brake Pressure Defeat (BPD) Options K1K1, K2K2



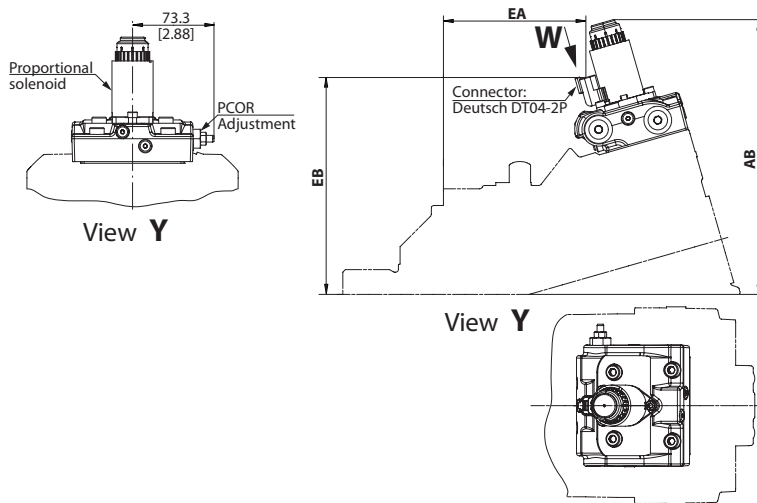
P003 459E

Dimensions mm [in]

		Flange style			
Size 060	DIN 125 B4 HL per ISO 3019/2	SAE 127-4 per ISO 3019/1		Cartridge 160	
AB	224.2 [8.83]	224.2	[8.83]	224.2	[8.83]
EA	101.6 [4.00]	126.1	[4.96]	41.9	[1.65]
EB	172.2 [6.78]	172.2	[6.78]	172.2	[6.78]
EC	140.3 [5.52]	164.8	[6.49]	80.6	[3.17]
ED	144.5 [5.69]	144.5	[5.69]	144.5	[5.69]
Size 080	DIN 140 B4 HL per ISO 3019/2	SAE 127-4 per ISO 3019/1		Cartridge 190	
AB	235.7 [9.28]	235.7	[9.28]	235.7	[9.28]
EA	114.8 [4.52]	138.8	[5.46]	36.4	[1.43]
EB	183.6 [7.23]	183.6	[7.23]	183.6	[7.23]
EC	153.4 [6.04]	177.4	[6.98]	75.0	[2.95]
ED	156.0 [6.14]	156.0	[6.14]	156.0	[6.14]
Size 110	DIN 160 B4 HL per ISO 3019/2	SAE 152-4 per ISO 3019/1		Cartridge 200	
AB					
EA	128.2 [5.05]	160.7	[6.33]	46.2	[1.82]
EB	195.1 [7.68]	195.1	[7.68]	195.1	[7.68]
EC	166.9 [6.57]	199.4	[7.85]	84.9	[3.34]
ED	167.5 [6.59]	167.5	[6.59]	167.5	[6.59]
Size 160	DIN 180 B4 HL per ISO 3019/2	SAE 152-4 per ISO 3019/1		Cartridge 200	
AB	265.0 [10.43]	265.0	[10.43]	265.0	[10.43]
EA	148.5 [5.85]	180.4	[7.10]	66.1	[2.60]
EB	212.8 [8.38]	212.8	[8.38]	212.8	[8.38]
EC	187.1 [7.37]	219.0	[8.62]	104.7	[4.12]
ED	185.1 [7.29]	185.1	[7.29]	185.1	[7.29]
Size 250		SAE 165-4 per ISO 3019/1			
AB		290.0	[11.42]		
EA		213.0	[8.39]		
EB		238.0	[9.37]		
EC		251.0	[9.88]		
ED		210.0	[8.27]		

**General Dimensions
– Controls**

Electric Proportional Control with Pressure Compensator OverRide (PCOR) and Electric Brake Pressure Defeat (BPD) Options K*KA



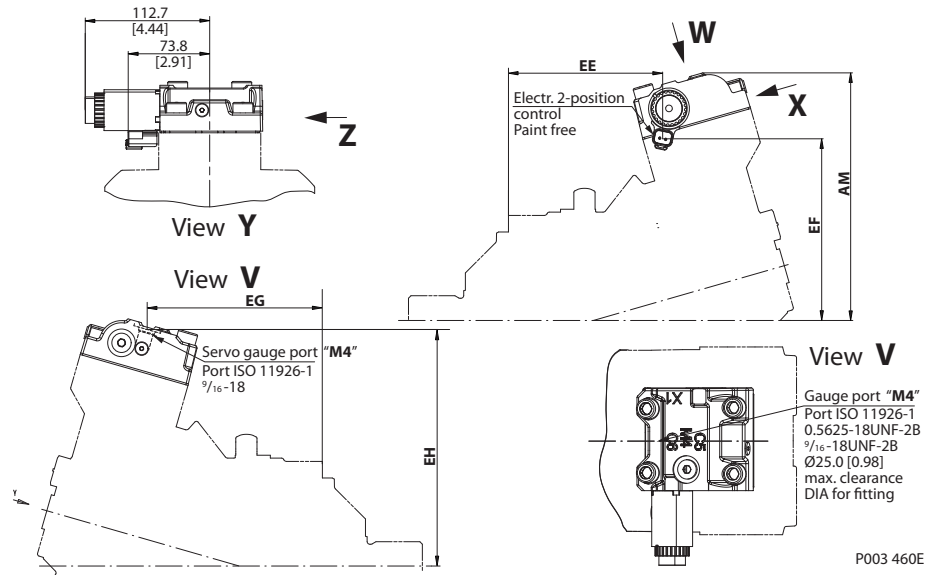
P301 465E

Dimensions mm [in]

		Flange style			
Size 060	DIN 125 B4 HL per ISO 3019/2	SAE 127-4 per ISO 3019/1		Cartridge 160	
AB	224.2 [8.83]	224.2	[8.83]	224.2	[8.83]
EA	101.6 [4.00]	126.1	[4.96]	41.9	[1.65]
EB	172.2 [6.78]	172.2	[6.78]	172.2	[6.78]
Size 080	DIN 140 B4 HL per ISO 3019/2	SAE 127-4 per ISO 3019/1		Cartridge 190	
AB	235.7 [9.28]	235.7	[9.28]	235.7	[9.28]
EA	114.8 [4.52]	138.8	[5.46]	36.4	[1.43]
EB	183.6 [7.23]	183.6	[7.23]	183.6	[7.23]
Size 110	DIN 160 B4 HL per ISO 3019/2	SAE 152-4 per ISO 3019/1		Cartridge 200	
AB	247.2 [9.73]	247.2	[9.73]	247.2	[9.73]
EA	128.2 [5.05]	160.7	[6.33]	46.2	[1.82]
EB	195.1 [7.68]	195.1	[7.68]	195.1	[7.68]
Size 160	DIN 180 B4 HL per ISO 3019/2	SAE 152-4 per ISO 3019/1		Cartridge 200	
AB	265.0 [10.43]	265.0	[10.43]	265.0	[10.43]
EA	148.5 [5.85]	180.4	[7.10]	66.1	[2.60]
EB	212.8 [8.38]	212.8	[8.38]	212.8	[8.38]
Size 250		SAE 165-4 per ISO 3019/1			
AB		290.2	[11.43]		
EA		212.7	[8.37]		
EB		238.0	[9.37]		

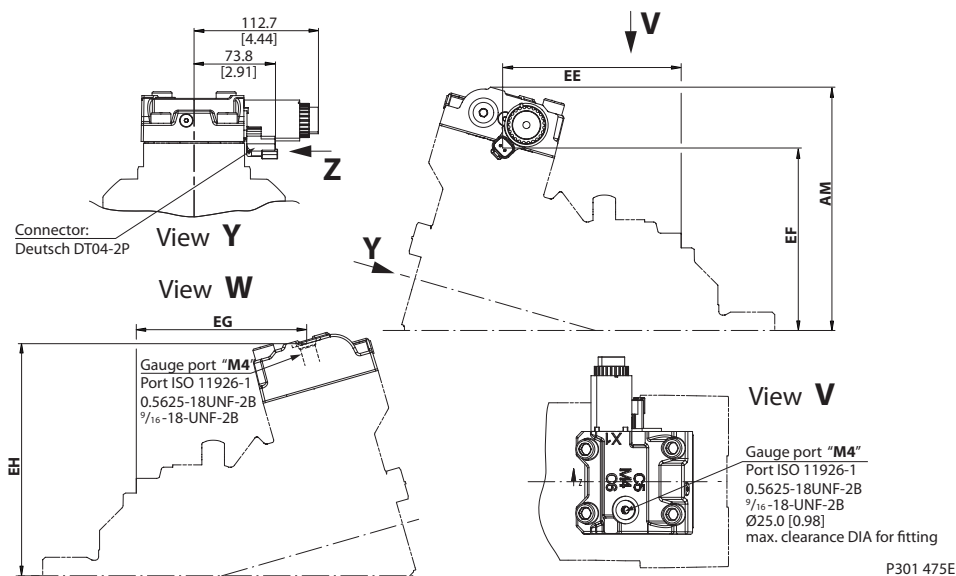
General Dimensions
- Controls

Electric Two-Position
Control
Options E1AA, E2AA



Dimensions mm [in]

Size	DIN 125 B4 HL per ISO 3019/2		SAE 127-4 per ISO 3019/1		Cartridge 160	
	mm	[in]	mm	[in]	mm	[in]
Size 060	DIN 125 B4 HL per ISO 3019/2		SAE 127-4 per ISO 3019/1		Cartridge 160	
AM	193.6	[7.62]	193.6	[7.62]	193.6	[7.62]
EE	115.3	[4.54]	139.8	[5.50]	55.6	[2.19]
EF	133.9	[5.27]	133.9	[5.27]	133.9	[5.27]
EG	134.3	[5.29]	158.8	[6.25]	74.6	[2.94]
EH	184.0	[7.24]	184.0	[7.24]	184.0	[7.24]
Size 080	DIN 140 B4 HL per ISO 3019/2		SAE 127-4 per ISO 3019/1		Cartridge 190	
AM	206.6	[8.13]	206.6	[8.13]	206.6	[8.13]
EE	125.7	[4.95]	149.7	[5.89]	47.3	[1.86]
EF	146.9	[5.78]	146.9	[5.78]	146.9	[5.78]
EG	144.8	[5.70]	168.8	[6.65]	66.4	[2.61]
EH	196.9	[7.75]	196.9	[7.75]	196.9	[7.75]
Size 110	DIN 160 B4 HL per ISO 3019/2		SAE 152-4 per ISO 3019/1		Cartridge 200	
AM	224.1	[8.82]	224.1	[8.82]	224.1	[8.82]
EE	139.6	[5.50]	172.1	[6.78]	57.6	[2.27]
EF	164.4	[6.47]	164.4	[6.47]	164.4	[6.47]
EG	158.6	[6.24]	191.1	[7.52]	76.6	[3.02]
EH	214.4	[8.44]	214.4	[8.44]	214.4	[8.44]
Size 160	DIN 160 B4 HL per ISO 3019/2		SAE 152-4 per ISO 3019/1		Cartridge 200	
AM	242.5	[9.55]	242.5	[9.55]	242.5	[9.55]
EE	159.4	[6.28]	191.3	[7.53]	77.0	[3.03]
EF	182.9	[7.20]	182.9	[7.20]	182.9	[7.20]
EG	178.5	[7.03]	210.4	[8.28]	96.1	[3.78]
EH	232.9	[9.17]	232.9	[9.17]	232.9	[9.17]
Size 250			SAE 165-4 per ISO 3019/1			
AM			267.0	[10.51]		
EE			225.0	[8.86]		
EF			208.0	[8.19]		
EG			244.0	[9.61]		
EH			258.0	[10.16]		

**General Dimensions
– Controls**
**Electric Two-Position
Control
Options F1EA, F2EA**


P301 475E

Dimensions mm [in]

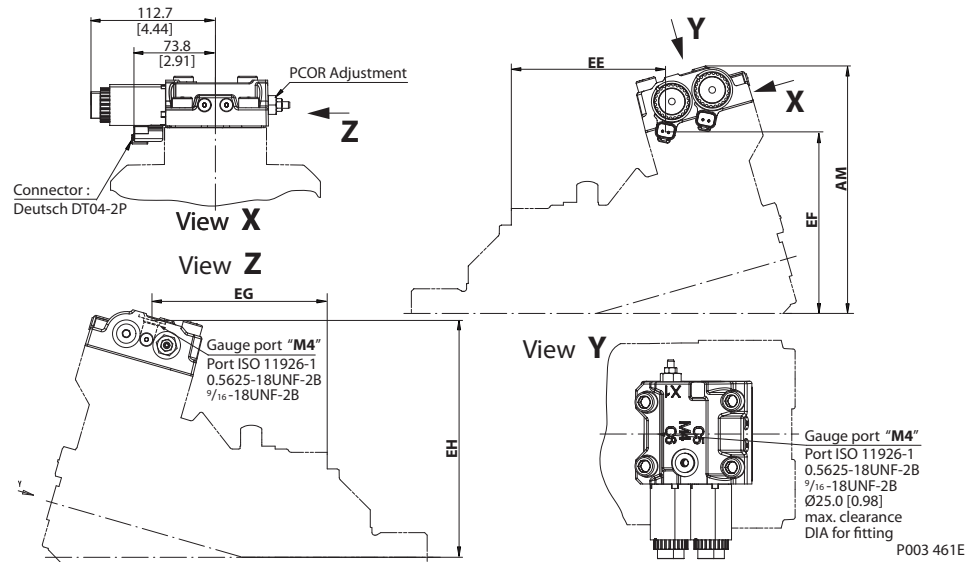
		Flange style			
Size 060	DIN 125 B4 HL per ISO 3019/2	SAE 127-4 per ISO 3019/1		Cartridge 160	
AM	193.6 [7.62]	193.6 [7.62]		193.6 [7.62]	
EE	141.2 [5.56]	165.7 [6.52]		81.5 [3.21]	
EF	141.9 [5.59]	141.9 [5.59]		141.9 [5.59]	
EG	134.3 [5.29]	158.8 [6.25]		74.6 [2.94]	
EH	184.0 [7.24]	184.0 [7.24]		184.0 [7.24]	
Size 080	DIN 140 B4 HL per ISO 3019/2	SAE 127-4 per ISO 3019/1		Cartridge 190	
AM	206.6 [8.13]	206.6 [8.13]		206.6 [8.13]	
EE	151.7 [5.97]	175.8 [6.92]		73.3 [2.89]	
EF	154.9 [6.10]	154.9 [6.10]		154.9 [6.10]	
EG	144.8 [5.70]	168.8 [6.65]		66.4 [2.61]	
EH	196.9 [7.75]	196.9 [7.75]		196.9 [7.75]	
Size 110	DIN 160 B4 HL per ISO 3019/2	SAE 152-4 per ISO 3019/1		Cartridge 200	
AM	224.1 [8.82]	224.1 [8.82]		224.1 [8.82]	
EE	165.5 [6.52]	198.0 [7.80]		83.5 [3.29]	
EF	172.4 [6.79]	172.4 [6.79]		172.4 [6.79]	
EG	158.6 [6.24]	191.1 [7.52]		76.6 [3.02]	
EH	214.4 [8.44]	214.4 [8.44]		214.4 [8.44]	
Size 160	DIN 160 B4 HL per ISO 3019/2	SAE 152-4 per ISO 3019/1		Cartridge 200	
AM	242.5 [9.55]	242.5 [9.55]		242.5 [9.55]	
EE	185.4 [7.30]	217.3 [8.56]		103.0 [4.06]	
EF	190.9 [7.52]	190.9 [7.52]		190.0 [7.52]	
EG	178.5 [7.03]	210.4 [8.28]		96.1 [3.78]	
EH	232.9 [9.17]	232.9 [9.17]		232.9 [9.17]	
Size 250		SAE 165-4 per ISO 3019/1			
AM		267.3 [10.53]			
EE		250.8 [9.87]			
EF		215.7 [8.49]			
EG		243.9 [9.60]			
EH		257.7 [10.15]			

**General Dimensions
– Controls**

**Electric Two-Position
Control with Pressure
Compensator OverRide
(PCOR)
Options T1DA, T2DA**

and

**Electric Two-Position
Control with Electric
Proportional Pressure
Compensator OverRide
(PPCOR)
Options P1DA, P2DA**



Dimensions mm [in]

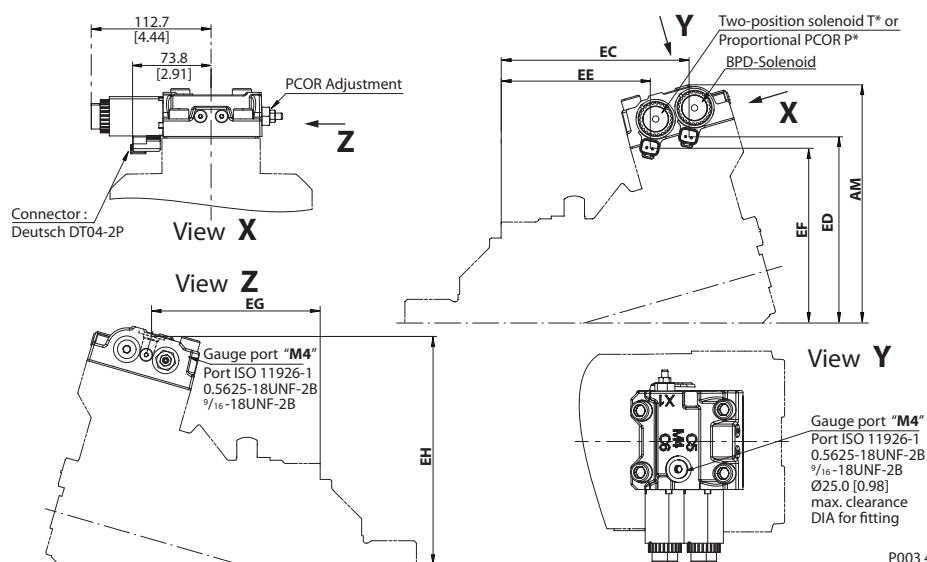
		Flange style			
Size 060	DIN 125 B4 HL per ISO 3019/2	SAE 127-4 per ISO 3019/1		Cartridge 160	
AM	193.6 [7.62]	193.6 [7.62]		193.6 [7.62]	
EE	115.3 [4.54]	139.8 [5.50]		55.6 [2.19]	
EF	133.9 [5.27]	133.9 [5.27]		133.9 [5.27]	
EG	134.3 [5.59]	158.8 [6.25]		74.6 [2.94]	
EH	183.9 [6.71]	183.9 [7.24]		183.9 [7.24]	
Size 080	DIN 140 B4 HL per ISO 3019/2	SAE 127-4 per ISO 3019/1		Cartridge 190	
AM	206.6 [8.13]	206.6 [8.13]		206.6 [8.13]	
EE	125.7 [4.95]	149.7 [5.89]		47.3 [1.86]	
EF	146.9 [5.78]	146.9 [5.78]		146.9 [5.78]	
EG	144.8 [5.70]	168.8 [6.65]		66.4 [2.61]	
EH	196.9 [7.75]	196.9 [7.75]		196.9 [7.75]	
Size 110	DIN 160 B4 HL per ISO 3019/2	SAE 152-4 per ISO 3019/1		Cartridge 200	
AM	224.1 [8.82]	224.1 [8.82]		224.1 [8.82]	
EE	139.6 [5.50]	172.1 [6.78]		57.6 [2.27]	
EF	164.4 [6.47]	164.4 [6.47]		164.4 [6.47]	
EG	158.6 [6.24]	191.1 [7.52]		76.6 [3.02]	
EH	214.4 [8.44]	214.4 [8.44]		214.4 [8.44]	
Size 160	DIN 180 B4 HL per ISO 3019/2	SAE 152-4 per ISO 3019/1		Cartridge 200	
AM	242.5 [9.55]	242.5 [9.55]		242.5 [9.55]	
EE	159.4 [6.28]	191.3 [7.53]		77.0 [3.03]	
EF	182.9 [7.20]	182.9 [7.20]		182.9 [7.20]	
EG	178.5 [7.03]	210.4 [8.28]		96.1 [3.78]	
EH	232.9 [9.17]	232.9 [9.17]		232.9 [9.17]	
Size 250		SAE 165-4 per ISO 3019/1			
AM		267.0	[10.51]		
EE		225.0	[8.86]		
EF		208.0	[8.19]		
EG		244.0	[9.61]		
EH		258.0	[10.16]		

**General Dimensions
– Controls**

Electric Two-Position Control with Pressure Compensator OverRide (PCOR) and Electric Brake Pressure Defeat (BPD) Options T1D1, T2D2

and

Electric Two-Position Control with Electric Proportional Pressure Compensator OverRide (PPCOR) and Electric Brake Pressure Defeat (BPD) Options P1D1, P2D2



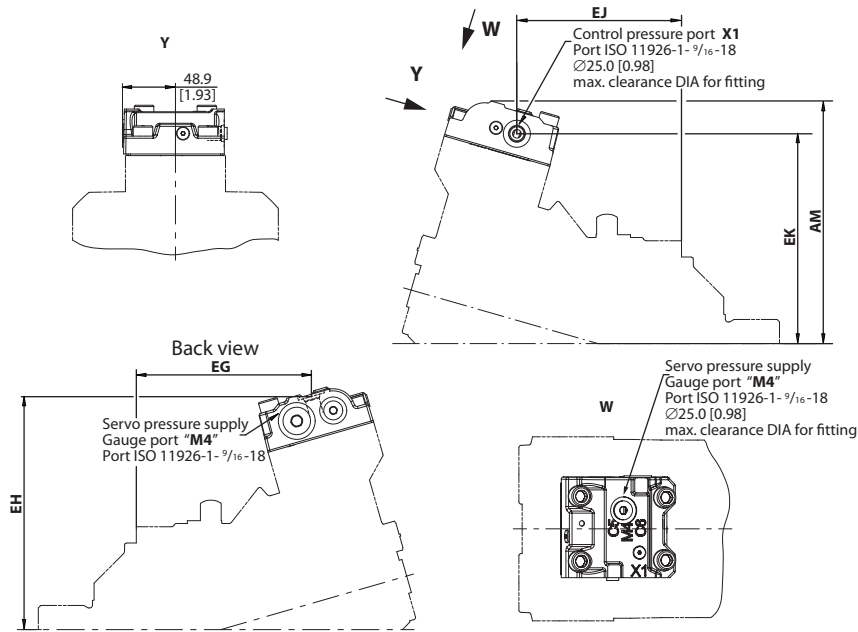
P003 462E

Dimensions mm [in]

Size 060	Flange style		
	DIN 125 B4 HL per ISO 3019/2	SAE 127-4 per ISO 3019/1	Cartridge 160
AM	193.6 [7.62]	193.6 [7.62]	193.6 [7.62]
EC	151.8 [5.98]	176.3 [6.94]	92.1 [3.63]
ED	144.4 [5.69]	144.4 [5.69]	144.4 [5.69]
EE	115.3 [4.54]	139.8 [5.50]	55.6 [2.19]
EF	133.9 [5.27]	133.9 [5.27]	133.9 [5.27]
EG	134.3 [5.29]	158.8 [6.25]	74.6 [2.94]
EH	183.9 [6.71]	183.9 [7.24]	183.9 [7.24]
Size 080	DIN 140 B4 HL per ISO 3019/2	SAE 127-4 per ISO 3019/1	Cartridge 190
AM	206.6 [8.13]	206.6 [8.13]	206.6 [8.13]
EC	162.3 [6.39]	186.3 [7.33]	83.9 [3.30]
ED	157.3 [6.19]	157.3 [6.19]	157.3 [6.19]
EE	125.7 [4.95]	149.7 [5.89]	47.3 [1.86]
EF	146.9 [5.78]	146.9 [5.78]	146.9 [5.78]
EG	144.8 [5.70]	168.8 [6.65]	66.4 [2.61]
EH	196.9 [7.75]	196.9 [7.75]	196.9 [7.75]
Size 110	DIN 160 B4 HL per ISO 3019/2	SAE 152-4 per ISO 3019/1	Cartridge 200
AM	224.1 [8.82]	224.1 [8.82]	224.1 [8.82]
EC	176.1 [6.93]	208.6 [8.21]	94.1 [3.70]
ED	174.9 [6.89]	174.9 [6.89]	174.9 [6.89]
EE	139.6 [5.50]	172.1 [6.78]	57.6 [2.27]
EF	164.4 [6.47]	164.4 [6.47]	164.4 [6.47]
EG	158.6 [6.24]	191.1 [7.52]	76.6 [3.02]
EH	214.4 [8.44]	214.4 [8.44]	214.4 [8.44]
Size 160	DIN 160 B4 HL per ISO 3019/2	SAE 152-4 per ISO 3019/1	Cartridge 200
AM	242.5 [9.54]	242.5 [9.54]	242.5 [9.54]
EC	196.0 [7.72]	227.9 [8.97]	113.6 [4.47]
ED	193.3 [7.61]	193.3 [7.61]	193.3 [7.61]
EE	159.4 [6.28]	191.3 [7.53]	77.0 [3.03]
EF	182.9 [7.20]	182.9 [7.20]	182.9 [7.20]
EG	178.5 [7.03]	210.4 [8.28]	96.1 [3.78]
EH	232.9 [9.17]	232.9 [9.17]	232.9 [9.17]
Size 250	SAE 165-4 per ISO 3019/1		
AM		267.0 [10.51]	
EC		261.0 [10.]	
ED		218.0 [8.58]	
EE		225.0 [8.86]	
EF		208.0 [8.19]	
EG		244.0 [9.61]	
EH		258.0 [10.16]	

General Dimensions
– Controls

Hydraulic Two-Position
Control
Option HEHE



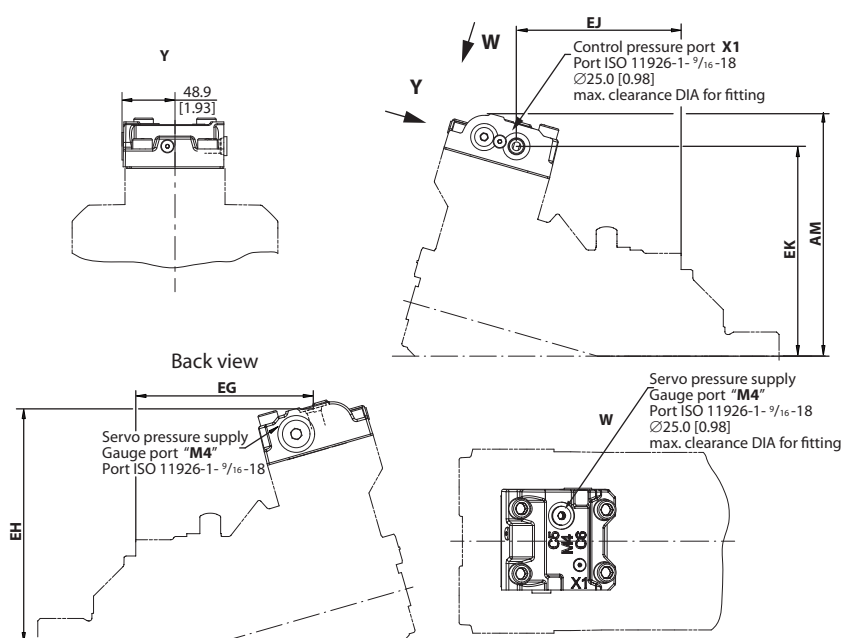
P700 31 014

Dimensions mm [in]

Size 060	DIN 125 B4 HL per ISO 3019/2		SAE 127-4 per ISO 3019/1		Cartridge 160	
	mm	[in]	mm	[in]	mm	[in]
AM	193.6	[7.62]	193.6	[7.62]	193.6	[7.62]
EG	137.4	[5.41]	161.9	[6.37]	77.7	[3.06]
EH	184.8	[7.28]	184.8	[7.28]	184.8	[7.28]
EJ	127.7	[5.03]	152.2	[5.99]	68.0	[2.68]
EK	163.3	[6.43]	163.3	[6.43]	163.3	[6.43]
Size 080	DIN 140 B4 HL per ISO 3019/2		SAE 127-4 per ISO 3019/1		Cartridge 190	
	mm	[in]	mm	[in]	mm	[in]
AM	206.6	[8.13]	206.6	[8.13]	206.6	[8.13]
EG	147.8	[5.82]	171.8	[6.76]	69.4	[2.73]
EH	197.8	[7.79]	197.8	[7.79]	197.8	[7.79]
EJ	138.2	[5.44]	162.2	[6.39]	59.8	[2.35]
EK	176.3	[6.94]	176.3	[6.94]	176.3	[6.94]
Size 110	DIN 160 B4 HL per ISO 3019/2		SAE 152-4 per ISO 3019/1		Cartridge 200	
	mm	[in]	mm	[in]	mm	[in]
AM	224.1	[8.82]	224.1	[8.85]	224.1	[8.82]
EG	161.7	[6.37]	194.2	[7.65]	79.7	[3.14]
EH	215.3	[8.48]	215.3	[8.48]	215.3	[8.48]
EJ	152.0	[5.98]	185.5	[7.30]	70.0	[2.76]
EK	193.8	[7.63]	193.8	[7.63]	193.8	[7.63]
Size 160	DIN 180 B4 HL per ISO 3019/2		SAE 152-4 per ISO 3019/1		Cartridge 200	
	mm	[in]	mm	[in]	mm	[in]
AM	242.5	[9.55]	242.5	[9.55]	242.5	[9.55]
EG	181.6	[7.15]	213.5	[8.41]	99.2	[3.91]
EH	233.8	[9.20]	233.8	[9.20]	233.8	[9.20]
EJ	171.9	[6.77]	203.8	[8.02]	89.5	[3.52]
EK	212.3	[8.36]	212.3	[8.36]	212.3	[8.36]
Size 250			SAE 165-4 per ISO 3019/1			
	mm	[in]	mm	[in]	mm	[in]
AM			267.0	[10.51]		
EG			247.0	[9.72]		
EH			259.0	[10.20]		
EJ			237.0	[9.33]		
EK			237.0	[9.33]		

General Dimensions

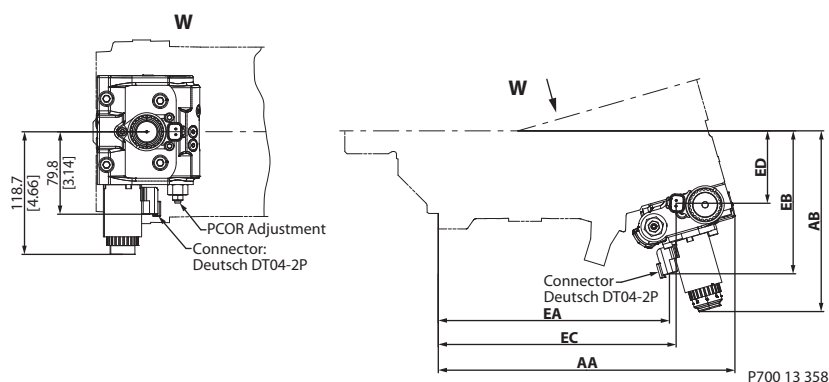
– Controls

 Hydraulic Two-Position
Control
Option HFHF


P700 31 015

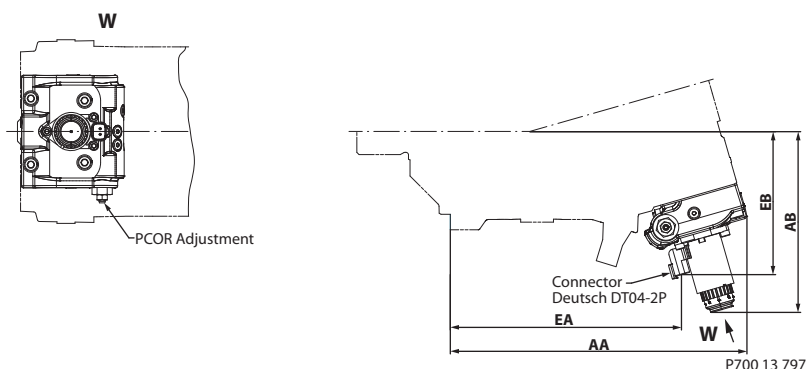
Dimensions mm [in]

Flange style					
Size 060	DIN 125 B4 HL per ISO 3019/2		SAE 127-4 per ISO 3019/1		Cartridge 160
AM	193.6	[7.62]	193.6	[7.62]	193.6 [7.62]
EG	139.6	[5.50]	164.1	[6.46]	79.9 [3.15]
EH	185.5	[7.30]	185.5	[7.30]	185.5 [7.30]
EJ	127.7	[5.03]	152.2	[5.99]	68.0 [2.68]
EK	163.3	[6.43]	163.3	[6.43]	163.3 [6.43]
Size 080	DIN 140 B4 HL per ISO 3019/2		SAE 127-4 per ISO 3019/1		Cartridge 190
AM	206.6	[8.13]	206.6	[8.13]	206.6 [8.13]
EG	150.0	[5.91]	174.0	[6.85]	71.6 [2.82]
EH	198.4	[7.81]	198.4	[7.81]	198.4 [7.81]
EJ	138.2	[5.44]	162.2	[6.39]	59.8 [2.35]
EK	176.3	[6.94]	176.3	[6.94]	176.3 [6.94]
Size 110	DIN 160 B4 HL per ISO 3019/2		SAE 152-4 per ISO 3019/1		Cartridge 200
AM	224.1	[8.82]	224.1	[8.83]	224.1 [8.82]
EG	163.9	[6.45]	194.4	[7.73]	81.9 [3.22]
EH	216.0	[8.50]	216.0	[8.50]	216.0 [8.50]
EJ	152.0	[5.98]	184.5	[7.26]	70.0 [2.76]
EK	193.8	[7.63]	193.8	[7.63]	193.8 [7.63]
Size 160	DIN 180 B4 HL per ISO 3019/2		SAE 152-4 per ISO 3019/1		Cartridge 200
AM	242.5	[9.55]	242.5	[9.55]	242.5 [9.55]
EG	183.8	[7.24]	215.7	[8.49]	101.4 [3.99]
EH	234.4	[9.23]	234.4	[9.23]	234.4 [9.23]
EJ	171.9	[6.77]	203.8	[8.02]	89.5 [3.52]
EK	212.3	[8.36]	212.3	[8.36]	212.3 [8.36]
Size 160			SAE 165-4 per ISO 3019/1		
AM			267.0	[10.51]	
EG			249.0	[9.8]	
EH			259.0	[10.2]	
EJ			237.0	[9.33]	
EK			237.0	[9.33]	

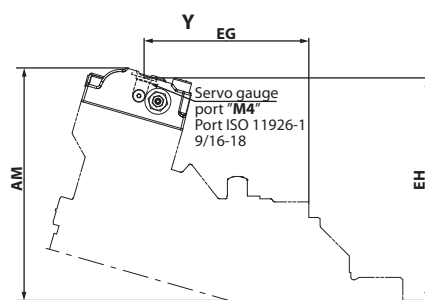
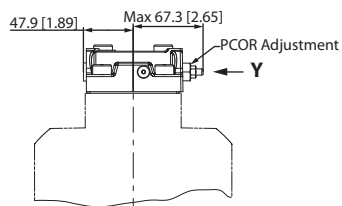
**General Dimensions
– Controls**
**Electric Proportional
Control Option D*M***


Dimensions mm [in]

		Flange style			
Size 060	DIN 125 B4 HL per ISO 3019/2	SAE 127-4 per ISO 3019/1		Cartridge 160	
AA	251.1 [9.89]	275.6 [10.85]		191.4 [7.54]	
AB	164.7 [6.48]	164.7 [6.48]		164.7 [6.48]	
EA	187.7 [7.39]	212.2 [8.35]		128.0 [5.03]	
EB	128.1 [5.04]	128.1 [5.04]		128.1 [5.04]	
EC	194.1 [7.64]	218.6 [8.61]		134.4 [5.29]	
ED	59.8 [2.35]	59.8 [2.35]		59.8 [2.35]	
Size 080	DIN 140 B4 HL per ISO 3019/2	SAE 127-4 per ISO 3019/1		Cartridge 190	
AA	269.2 [10.60]	293.2 [11.54]		190.8 [7.51]	
AB	170.6 [6.72]	170.6 [6.72]		170.6 [6.72]	
EA	205.8 [8.10]	230.0 [9.05]		127.4 [5.02]	
EB	134.0 [5.28]	134.0 [5.28]		134.0 [5.28]	
EC	212.3 [8.36]	236.3 [9.30]		133.9 [5.27]	
ED	65.7 [2.59]	65.7 [2.59]		65.7 [2.59]	
Size 110	DIN 160 B4 HL per ISO 3019/2	SAE 152-4 per ISO 3019/1		Cartridge 200	
AA	287.2 [11.31]	319.7 [12.59]		205.2 [8.08]	
AB	175.0 [6.89]	175.0 [6.89]		175.0 [6.89]	
EA	223.8 [8.81]	256.3 [10.09]		141.8 [5.58]	
EB	138.4 [5.45]	138.4 [5.45]		138.4 [5.45]	
EC	230.3 [9.07]	262.8 [10.35]		148.3 [5.84]	
ED	70.1 [2.76]	70.1 [2.76]		70.1 [2.76]	
Size 160	DIN 160 B4 HL per ISO 3019/2	SAE 152-4 per ISO 3019/1		Cartridge 200	
AA	314.8 [12.39]	346.7 [13.65]		232.4 [9.15]	
AB	183.8 [7.24]	183.8 [7.24]		183.8 [7.24]	
EA	251.6 [9.91]	283.5 [11.16]		169.2 [6.66]	
EB	147.1 [5.79]	147.1 [5.79]		147.1 [5.79]	
EC	258.1 [10.16]	290.0 [11.42]		175.7 [6.92]	
ED	78.8 [3.10]	78.8 [3.10]		78.8 [3.10]	
Size 250		SAE 165-4 per ISO 3019/1			
AA		390.0 [15.35]			
AB		197.0 [7.76]			
EA		327.0 [12.87]			
EB		160.0 [6.3]			
EC		333.0 [13.11]			
ED		92.0 [3.62]			

**General Dimensions
– Controls**
**Electric Proportional
Control Option D*MA**

Dimensions mm [in]

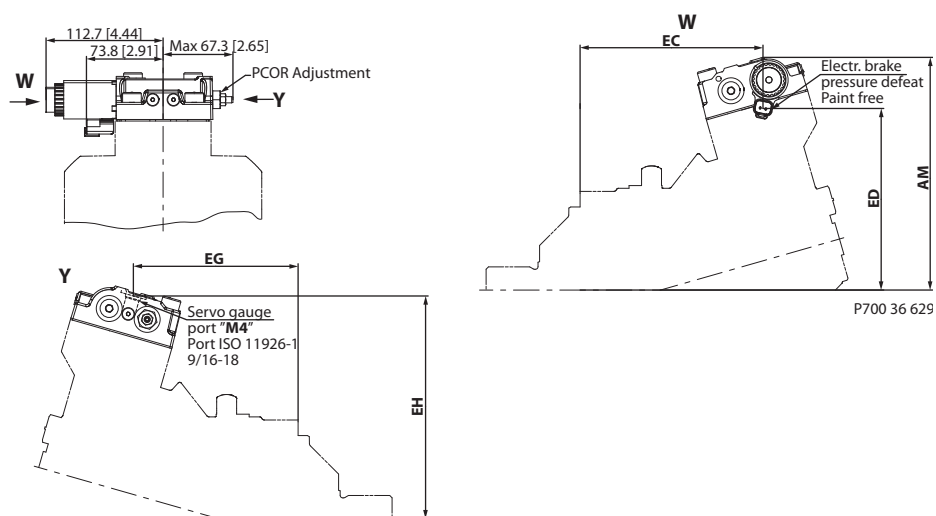
		Flange style			
Size 060	DIN 125 B4 HL per ISO 3019/2	SAE 127-4 per ISO 3019/1		Cartridge 160	
AA	251.1 [9.89]	275.6 [10.85]		191.4 [7.55]	
AB	164.7 [6.48]	164.7 [6.48]		164.7 [6.48]	
EA	187.7 [7.39]	212.2 [8.35]		128.0 [5.04]	
EB	128.1 [5.04]	128.1 [5.04]		128.1 [5.04]	
Size 080	DIN 140 B4 HL per ISO 3019/2	SAE 127-4 per ISO 3019/1		Cartridge 190	
AA	269.2 [10.60]	293.2 [11.54]		190.8 [7.51]	
AB	170.6 [6.72]	170.6 [6.72]		170.6 [6.72]	
EA	205.8 [8.10]	229.8 [9.05]		127.4 [5.02]	
EB	134.0 [5.28]	134.0 [5.28]		134.0 [5.28]	
Size 110	DIN 160 B4 HL per ISO 3019/2	SAE 152-4 per ISO 3019/1		Cartridge 200	
AA	287.2 [11.31]	319.7 [12.59]		205.2 [8.08]	
AB	175.0 [6.89]	175.0 [6.89]		175.0 [6.89]	
EA	223.8 [8.81]	256.3 [10.09]		141.8 [5.58]	
EB	138.4 [5.45]	138.4 [5.45]		138.4 [5.45]	
Size 160	DIN 160 B4 HL per ISO 3019/2	SAE 152-4 per ISO 3019/1		Cartridge 200	
AA	314.8 [12.39]	346.7 [13.65]		232.4 [9.135]	
AB	183.8 [7.24]	183.8 [7.24]		183.8 [7.24]	
EA	251.6 [9.91]	283.5 [11.16]		169.2 [6.66]	
EB	147.1 [5.79]	147.1 [5.79]		147.1 [5.79]	
Size 250		SAE 165-4 per ISO 3019/1			
AA		390.0 [15.35]			
AB		197.0 [7.76]			
EA		327.0 [12.87]			
EB		160.0 [6.3]			

General Dimensions
- Controls
**Hydraulic Two-Position
Control
Option TADA**


P700 55 375

Dimensions mm [in]

Flange style					
Size 060	DIN 125 B4 HL per ISO 3019/2		SAE 127-4 per ISO 3019/1		Cartridge 160
AM	193.6	[7.62]	193.6	[7.62]	193.6 [7.62]
EG	134.3	[5.29]	158.8	[6.25]	74.6 [2.94]
EH	183.9	[7.24]	183.9	[7.24]	183.9 [7.24]
Size 080	DIN 140 B4 HL per ISO 3019/2		SAE 127-4 per ISO 3019/1		Cartridge 190
AM	206.6	[8.13]	206.6	[8.13]	206.6 [8.13]
EG	144.8	[5.70]	168.8	[6.65]	66.4 [2.61]
EH	196.9	[7.75]	196.9	[7.75]	196.9 [7.75]
Size 110	DIN 160 B4 HL per ISO 3019/2		SAE 152-4 per ISO 3019/1		Cartridge 200
AM	224.1	[8.82]	244.1	[8.82]	224.1 [8.82]
EG	158.6	[6.24]	191.1	[7.52]	76.6 [3.02]
EH	214.4	[8.44]	214.4	[8.44]	214.4 [8.44]
Size 160	DIN 180 B4 HL per ISO 3019/2		SAE 152-4 per ISO 3019/1		Cartridge 200
AM	242.5	[9.55]	242.5	[9.55]	242.5 [9.55]
EG	178.5	[7.03]	210.4	[8.28]	96.1 [3.78]
EH	232.9	[9.17]	232.9	[9.17]	232.9 [9.17]
Size 250			SAE 165-4 per ISO 3019/1		
AM			267.0	[10.51]	
EG			244.0	[9.61]	
EH			258.0	[10.16]	

**General Dimensions
– Controls**
**Hydraulic Two-Position
Control
Option TAD1, TAD2**

Dimensions mm [in]

	Flange style					
Size 060	DIN 125 B4 HL per ISO 3019/2		SAE 127-4 per ISO 3019/1		Cartridge 160	
AM	193.6	[7.62]	193.6	[7.62]	193.6	[7.62]
EC	151.8	[5.98]	176.3	[6.94]	92.1	[3.63]
ED	144.4	[5.69]	144.4	[5.69]	144.4	[5.69]
EG	134.3	[5.29]	158.8	[6.25]	74.6	[2.94]
EH	183.9	[7.24]	183.9	[7.24]	183.9	[7.24]
Size 080	DIN 140 B4 HL per ISO 3019/2		SAE 127-4 per ISO 3019/1		Cartridge 190	
AM	206.6	[8.13]	206.6	[8.13]	206.6	[8.13]
EC	162.3	[6.39]	186.3	[7.33]	83.9	[3.30]
ED	157.3	[6.19]	157.3	[6.19]	157.3	[6.19]
EG	144.8	[5.70]	168.8	[6.65]	66.4	[3.61]
EH	196.9	[7.75]	196.9	[7.75]	196.9	[7.75]
Size 110	DIN 160 B4 HL per ISO 3019/2		SAE 152-4 per ISO 3019/1		Cartridge 200	
AM	224.1	[8.82]	244.1	[8.82]	224.1	[8.82]
EC	176.1	[6.93]	208.6	[8.21]	94.1	[3.70]
ED	174.9	[6.89]	174.9	[6.89]	174.9	[6.89]
EG	158.6	[6.24]	191.1	[7.52]	76.6	[3.02]
EH	214.4	[8.44]	214.4	[8.44]	214.4	[8.44]
Size 160	DIN 180 B4 HL per ISO 3019/2		SAE 152-4 per ISO 3019/1		Cartridge 200	
AM	242.5	[9.55]	242.5	[9.55]	242.5	[9.55]
EC	196.0	[7.72]	227.9	[8.97]	113.6	[4.47]
ED	193.3	[7.61]	193.3	[7.61]	193.3	[7.61]
EG	178.5	[7.03]	210.4	[8.28]	96.1	[3.78]
EH	232.9	[9.17]	232.9	[9.17]	232.9	[9.17]
Size 250			SAE 165-4 per ISO 3019/1			
AM			267.0	[10.51]		
EC			261.0	[10.]		
ED			218.0	[8.58]		
EG			244.0	[9.61]		
EH			258.0	[10.16]		

Notes

Notes



Products we offer:

- Bent Axis Motors
- Closed Circuit Axial Piston Pumps and Motors
- Displays
- Electrohydraulic Power Steering
- Electrohydraulics
- Hydraulic Power Steering
- Integrated Systems
- Joysticks and Control Handles
- Microcontrollers and Software
- Open Circuit Axial Piston Pumps
- Orbital Motors
- PLUS+1® GUIDE
- Proportional Valves
- Sensors
- Steering
- Transit Mixer Drives

Danfoss Power Solutions is a global manufacturer and supplier of high-quality hydraulic and electronic components. We specialize in providing state-of-the-art technology and solutions that excel in the harsh operating conditions of the mobile off-highway market. Building on our extensive applications expertise, we work closely with our customers to ensure exceptional performance for a broad range of off-highway vehicles.

We help OEMs around the world speed up system development, reduce costs and bring vehicles to market faster.

Danfoss – Your Strongest Partner in Mobile Hydraulics.

Go to www.powersolutions.danfoss.com for further product information.

Wherever off-highway vehicles are at work, so is Danfoss.

We offer expert worldwide support for our customers, ensuring the best possible solutions for outstanding performance. And with an extensive network of Global Service Partners, we also provide comprehensive global service for all of our components.

Please contact the Danfoss Power Solution representative nearest you.

Comatrol

www.comatrol.com

Schwarzmueller-Inverter

www.schwarzmueller-inverter.com

Turolla

www.turollaocg.com

Valmova

www.valmova.com

Hydro-Gear

www.hydro-gear.com

Daikin-Sauer-Danfoss

www.daikin-sauer-danfoss.com

Local address:

Danfoss Power Solutions US Company
2800 East 13th Street
Ames, IA 50010, USA
Phone: +1 515 239 6000

Danfoss Power Solutions GmbH & Co. OHG
Krokamp 35
D-24539 Neumünster, Germany
Phone: +49 4321 871 0

Danfoss Power Solutions ApS
Nordborgvej 81
DK-6430 Nordborg, Denmark
Phone: +45 7488 2222

Danfoss Power Solutions (Shanghai) Co. Ltd.
Building #22, No. 1000 Jin Hai Rd
Jin Qiao, Pudong New District
Shanghai, China 201206
Phone: +86 21 3418 5200

Danfoss can accept no responsibility for possible errors in catalogues, brochures and other printed material. Danfoss reserves the right to alter its products without notice. This also applies to products already on order provided that such alterations can be made without subsequential changes being necessary in specifications already agreed. All trademarks in this material are property of the respective companies. Danfoss and the Danfoss logotype are trademarks of Danfoss A/S. All rights reserved.